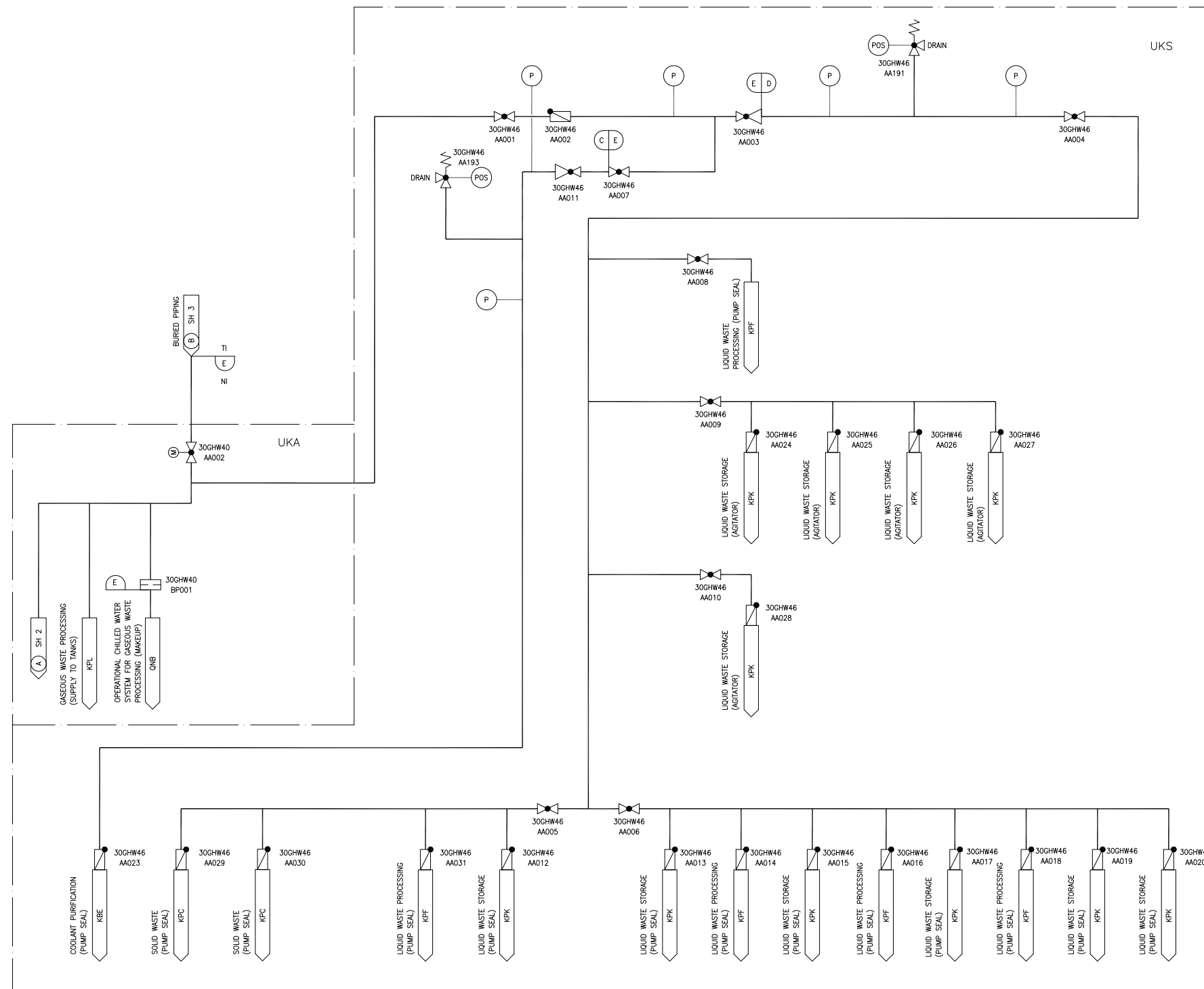


Figure 9.2.7-1—Seal Water Supply System  
Sheet 1 of 3

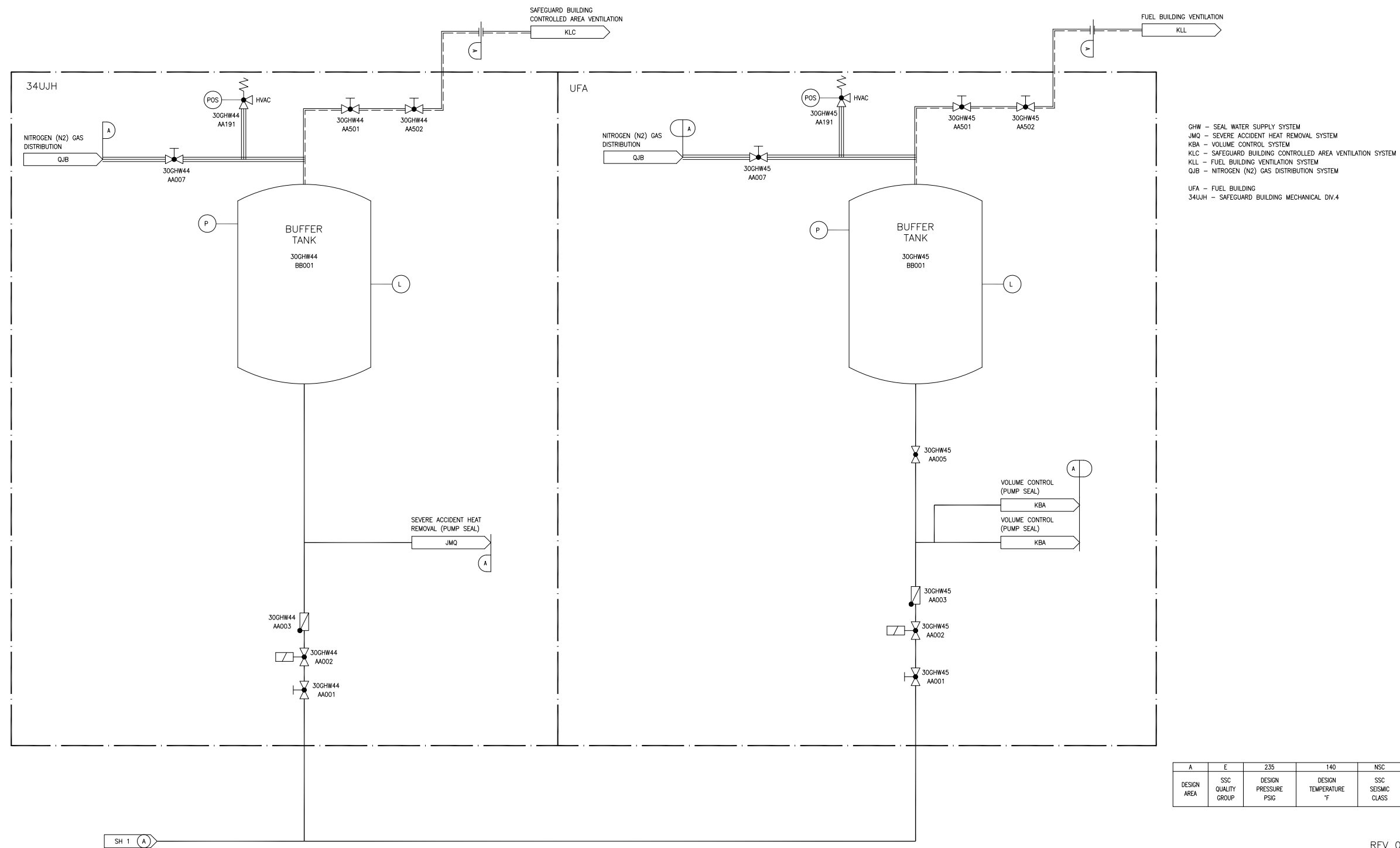


GHW - SEAL WATER SUPPLY SYSTEM  
 KBE - COOLANT PURIFICATION SYSTEM  
 KPC - SOLID WASTE SYSTEM  
 KPL - GASEOUS WASTE PROCESSING SYSTEM  
 KPF - LIQUID WASTE PROCESSING SYSTEM  
 KPK - LIQUID WASTE STORAGE SYSTEM  
 QNB - OPERATIONAL CHILLED WATER SYSTEM FOR GASEOUS WASTE PROCESSING SYSTEM  
  
 UKA - NUCLEAR AUXILIARY BUILDING  
 UKS - RADIOACTIVE WASTE PROCESSING BUILDING

E	E	235	140	NSC
D	E	235	140	NSC
C	E	235	140	NSC
DESIGN AREA	SSC QUALITY GROUP	DESIGN PRESSURE PSIG	DESIGN TEMPERATURE °F	SSC SEISMIC CLASS

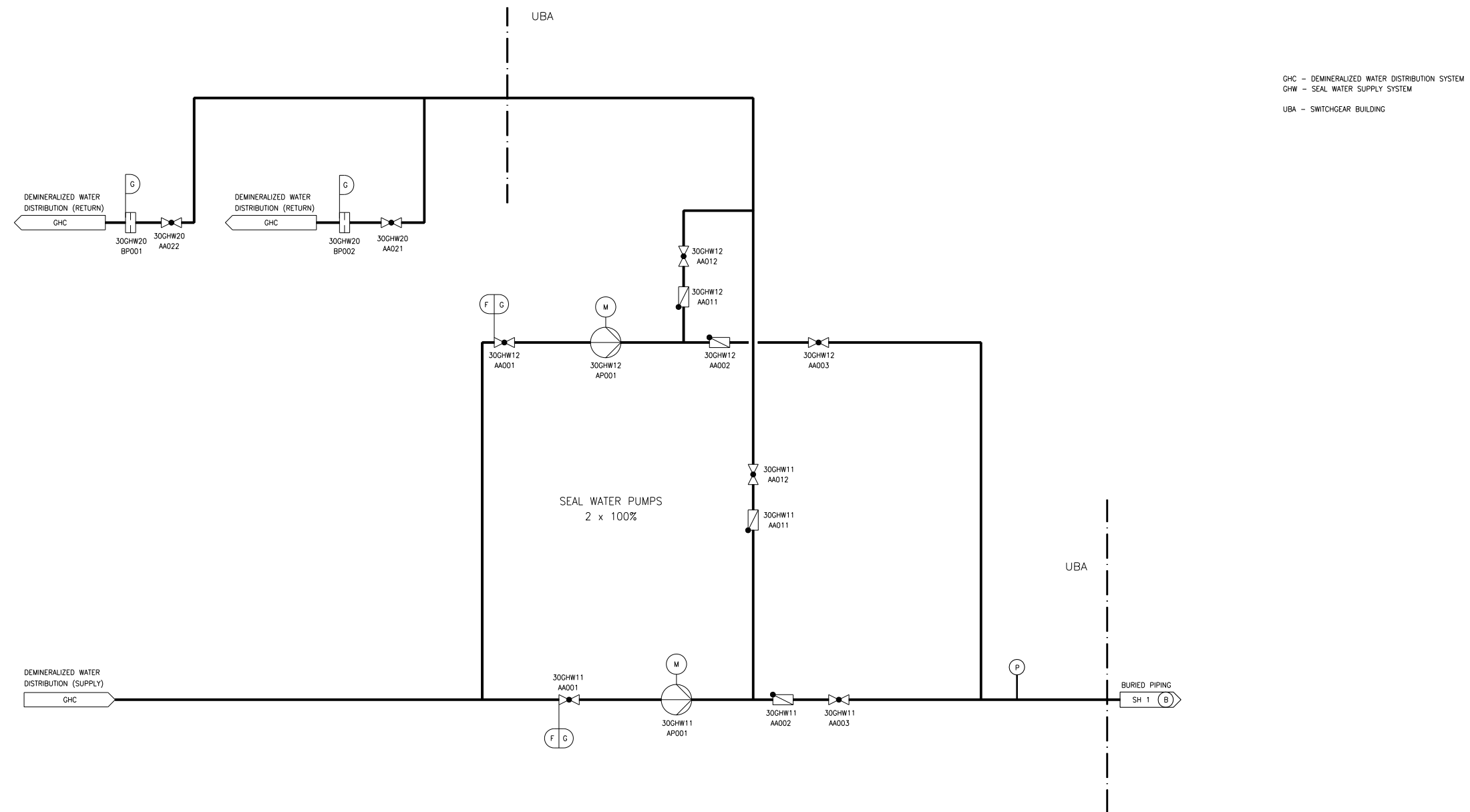
REV 002  
GHW01T2

Figure 9.2.7-1—Seal Water Supply System  
Sheet 2 of 3



REV 002  
GHW02T2

Figure 9.2.7-1—Seal Water Supply System  
Sheet 3 of 3



G	E	235	140	NSC
F	E	235	140	NSC
DESIGN AREA	SSC QUALITY GROUP	DESIGN PRESSURE PSIG	DESIGN TEMPERATURE °F	SSC SEISMIC CLASS

GHWO3T2