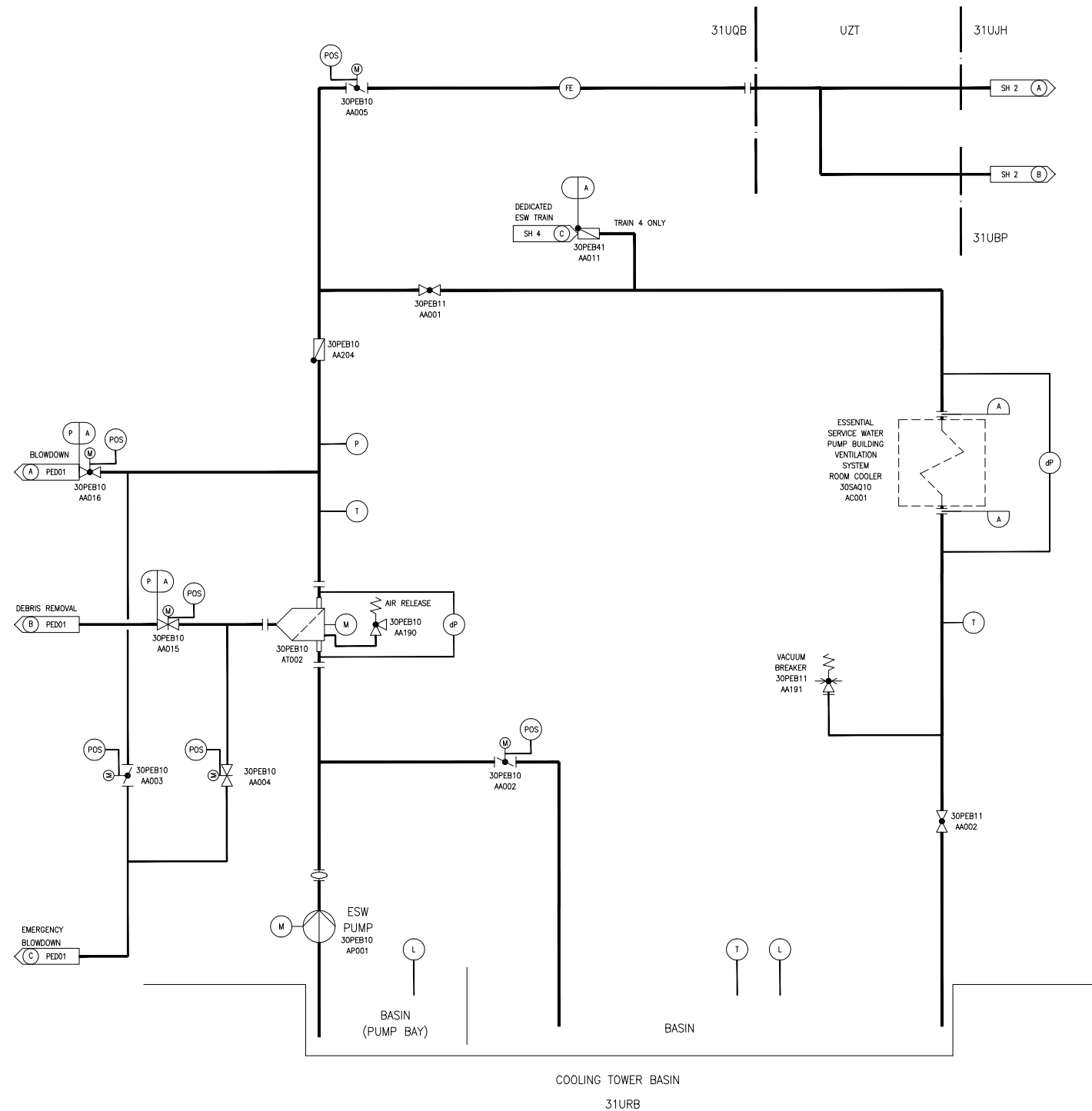


Figure 9.2.1-1—Essential Service Water System Piping & Instrumentation Diagram  
Sheet 1 of 4



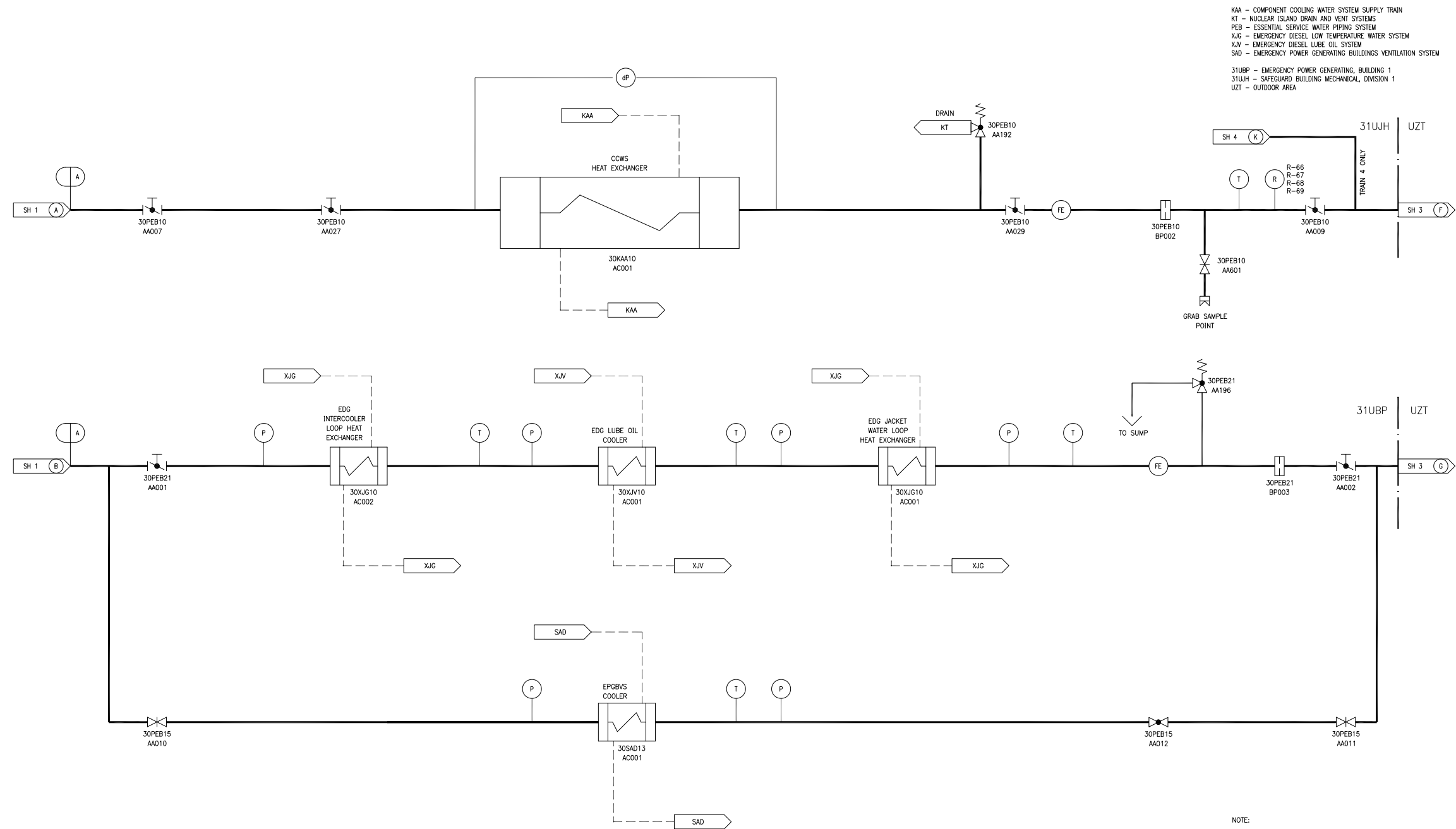
PEB - ESSENTIAL SERVICE WATER PIPING SYSTEM  
 SAQ - ESSENTIAL SERVICE WATER PUMP BUILDING VENTILATION SYSTEM  
 31UBP - EMERGENCY POWER GENERATING, BUILDING 1  
 31UJH - SAFEGUARD BUILDING MECHANICAL, DIVISION 1  
 31UQB - ESSENTIAL SERVICE WATER PUMP, BUILDING 1  
 31URB - ESSENTIAL SERVICE WATER COOLING TOWER STRUCTURE, DIVISION 1  
 UZT - OUTDOOR AREA

NOTE:  
 1. TRAIN 1 SHOWN IS REPRESENTATIVE OF TRAINS 2, 3 AND 4, WITH EXCEPTIONS AS NOTED.

P	E	NSC
A	C	I
DESIGN AREA	SSC QUALITY GROUP	SSC SEISMIC CLASS

REV 003  
 PEB01T2

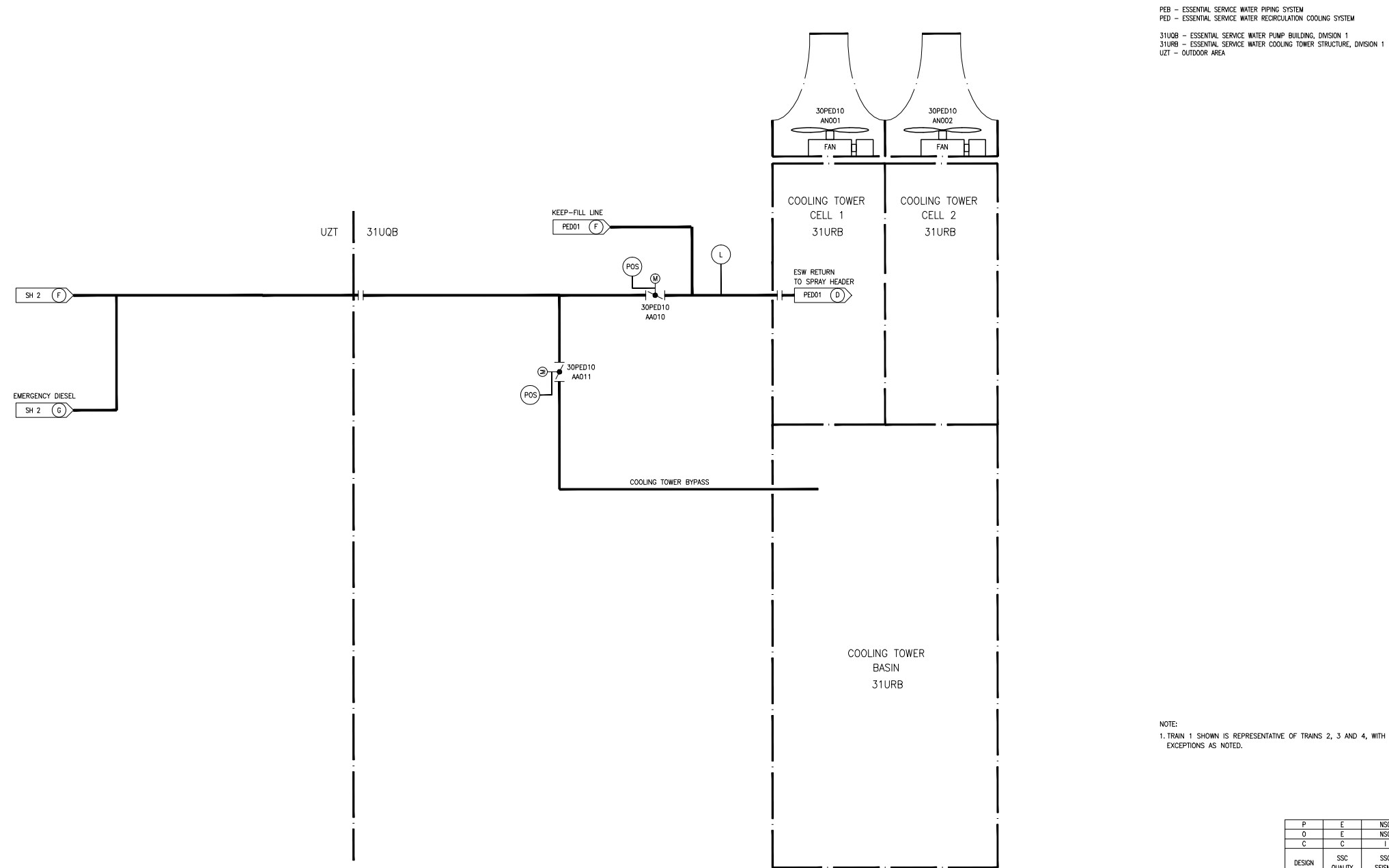
Figure 9.2.1-1—Essential Service Water System Piping & Instrumentation Diagram  
Sheet 2 of 4



A	C	I
DESIGN AREA	SSC QUALITY GROUP	SSC SEISMIC CLASS

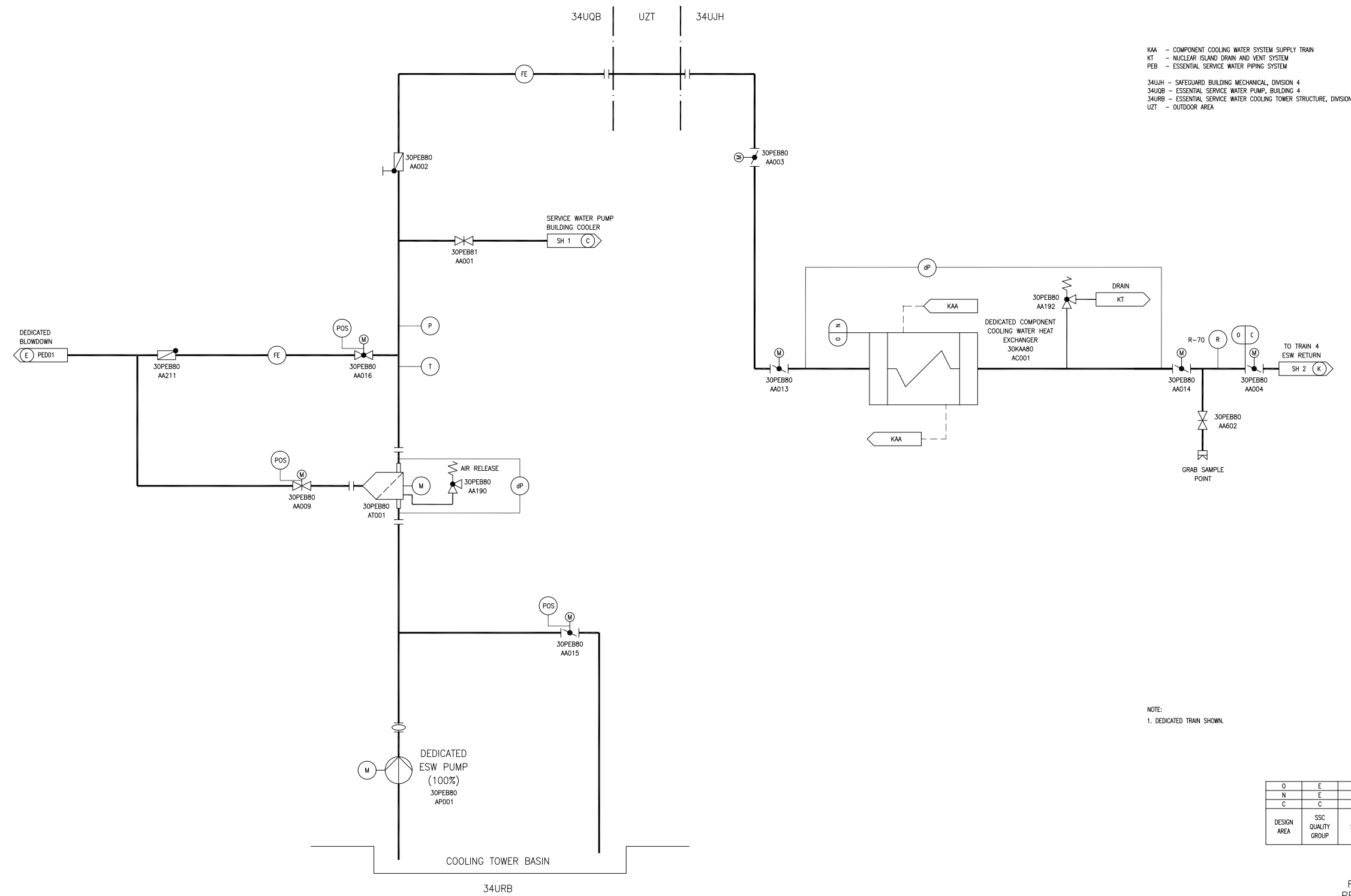
REV 005  
PEB02T2

Figure 9.2.1-1—Essential Service Water Piping & Instrumentation Diagram  
Sheet 3 of 4



REV 003  
PEB03T2

Figure 9.2.1-1—Essential Service Water System Piping & Instrumentation Diagram  
Sheet 4 of 4



REV 005  
PEB04 T2