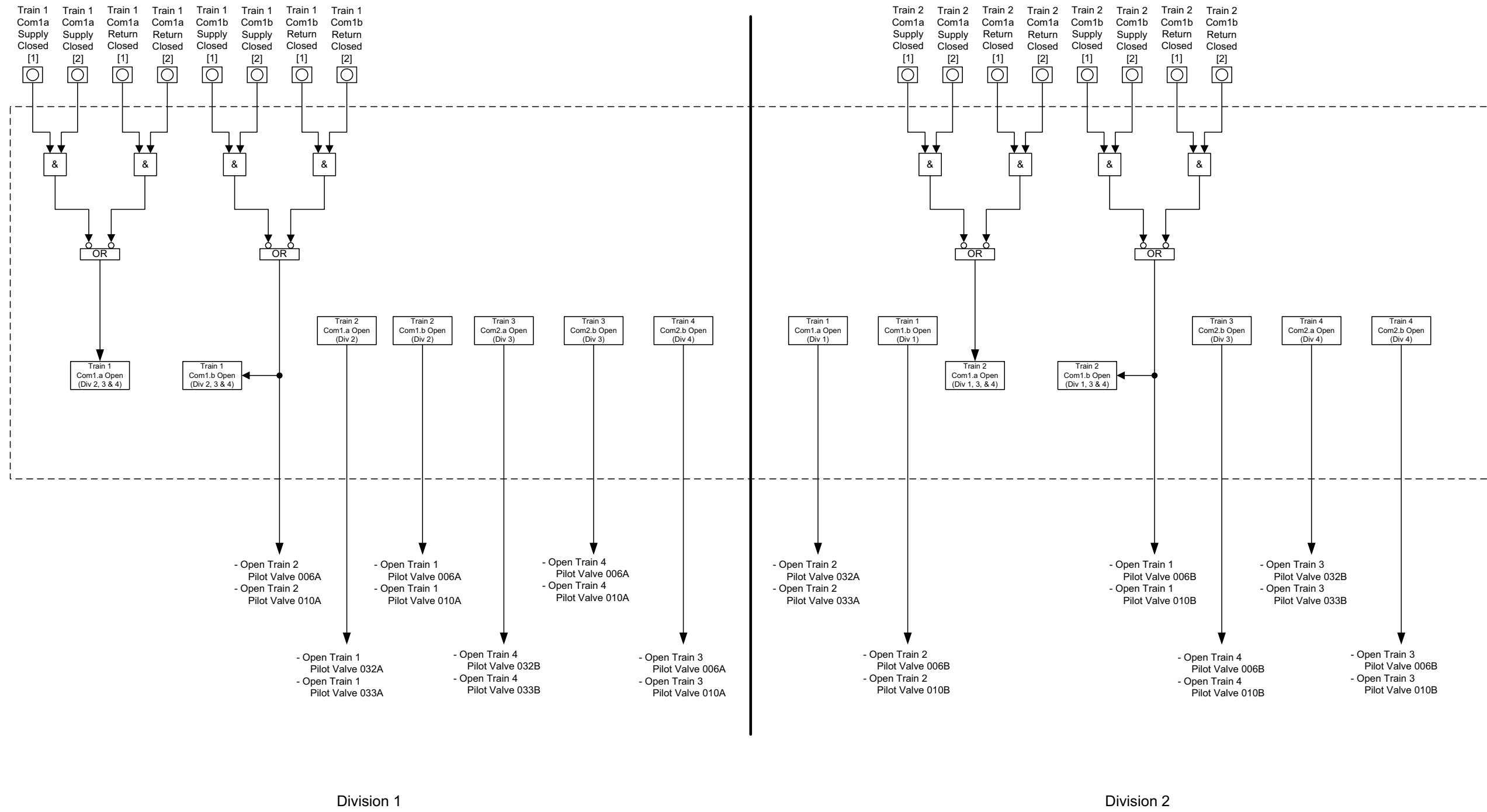


Figure 7.6-1—CCWS Switchover Valves Interlock



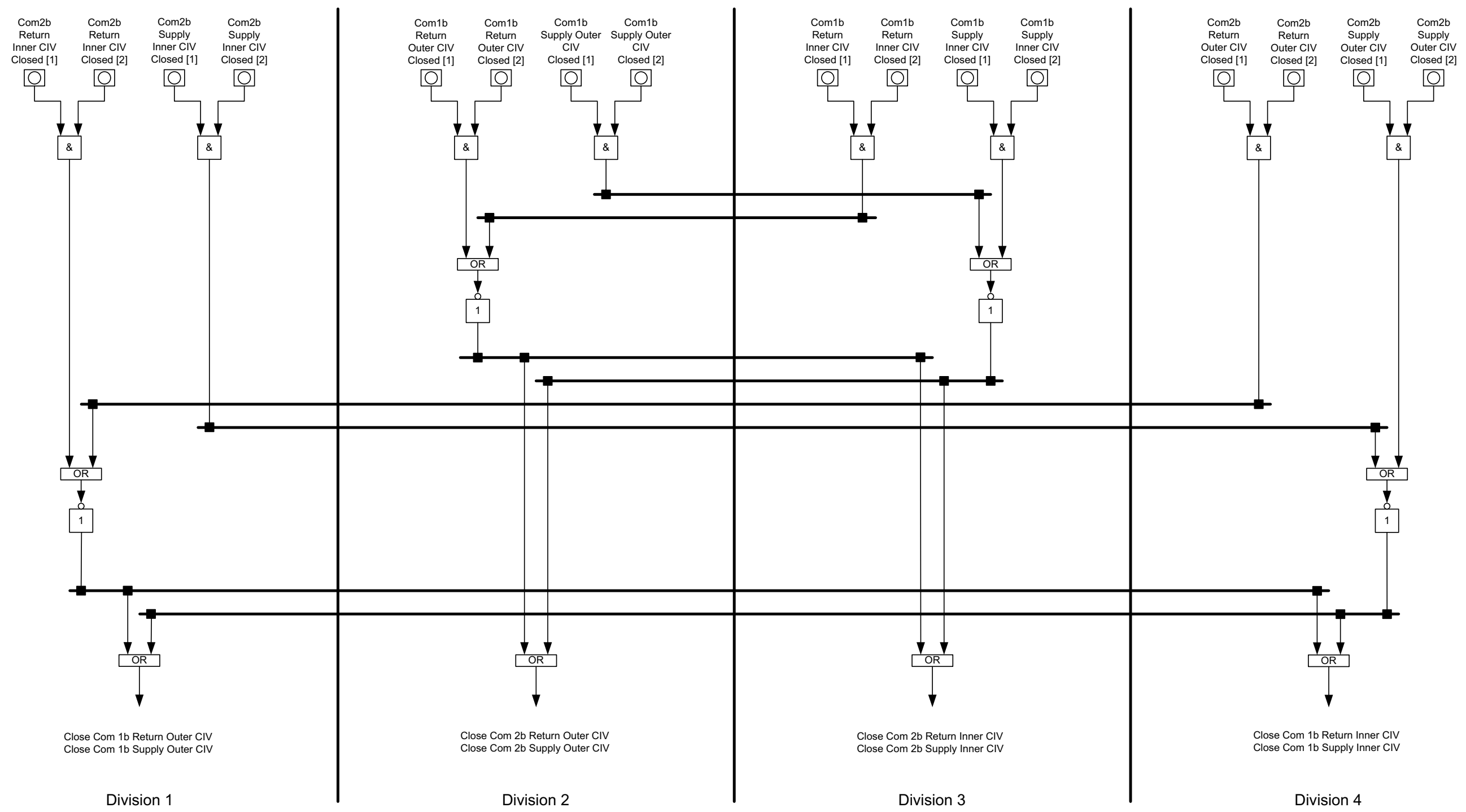
Division 1

Division 2

Logic shown for Divisions 1 and 2.
The same logic is implemented between Divisions 3 and 4 with respect to Common 2a and Common 2b.

REV 005
EPR3427 T2

Figure 7.6-2—CCWS RCP Thermal Barrier Containment Isolation Valves Interlock



Close Com 1b Return Outer CIV
Close Com 1b Supply Outer CIV

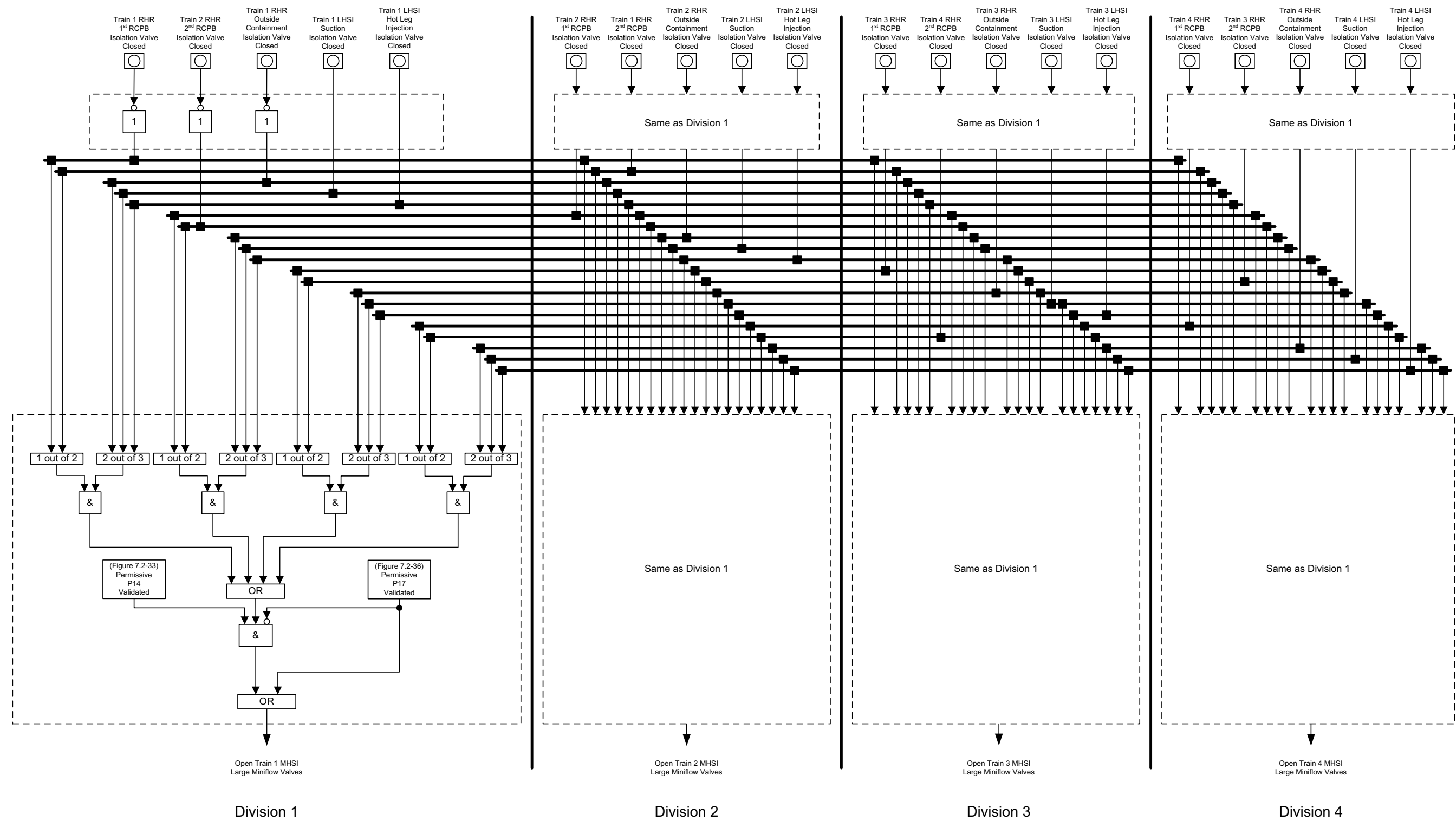
Close Com 2b Return Outer CIV
Close Com 2b Supply Outer CIV

Close Com 2b Return Inner CIV
Close Com 2b Supply Inner CIV

Close Com 1b Return Inner CIV
Close Com 1b Supply Inner CIV

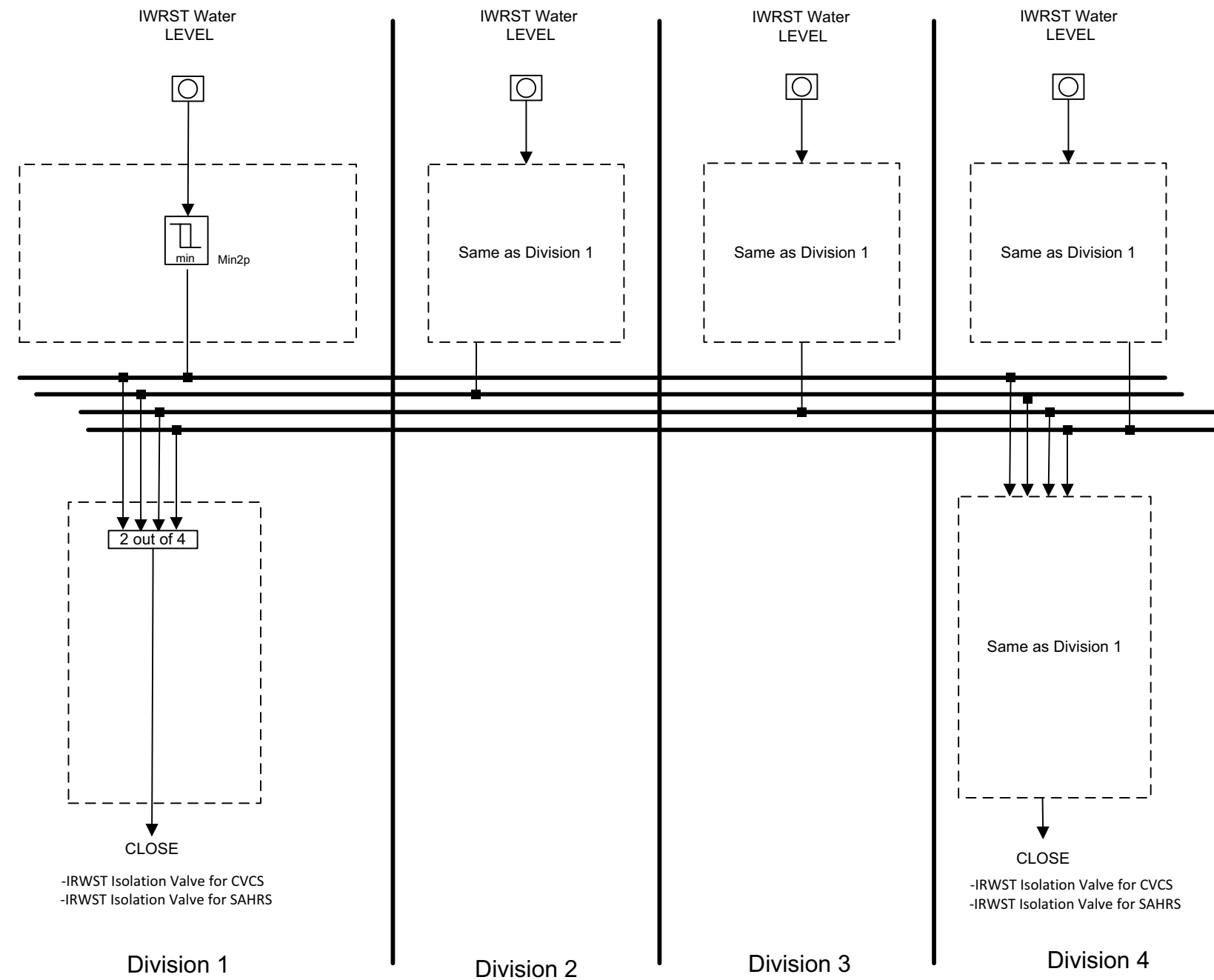
REV 005
EPR3430 T2

Figure 7.6-3—MHSI Large Miniflow Valves Interlock Between P14 and P17 Permissives



REV 005
EPR3431 T2

Figure 7.6-4—IRWSTS Boundary Isolation for Preserving IRWST Water Inventory Interlock



EPR3506 T2

Figure 7.6-5—SCWS Train 1 to Train 2 Switchover on Train 1 Loss of Pump / Loss of Chiller / SCWS Chiller Evaporator Water Flow Control / LOOP Re-Start Failure Interlock

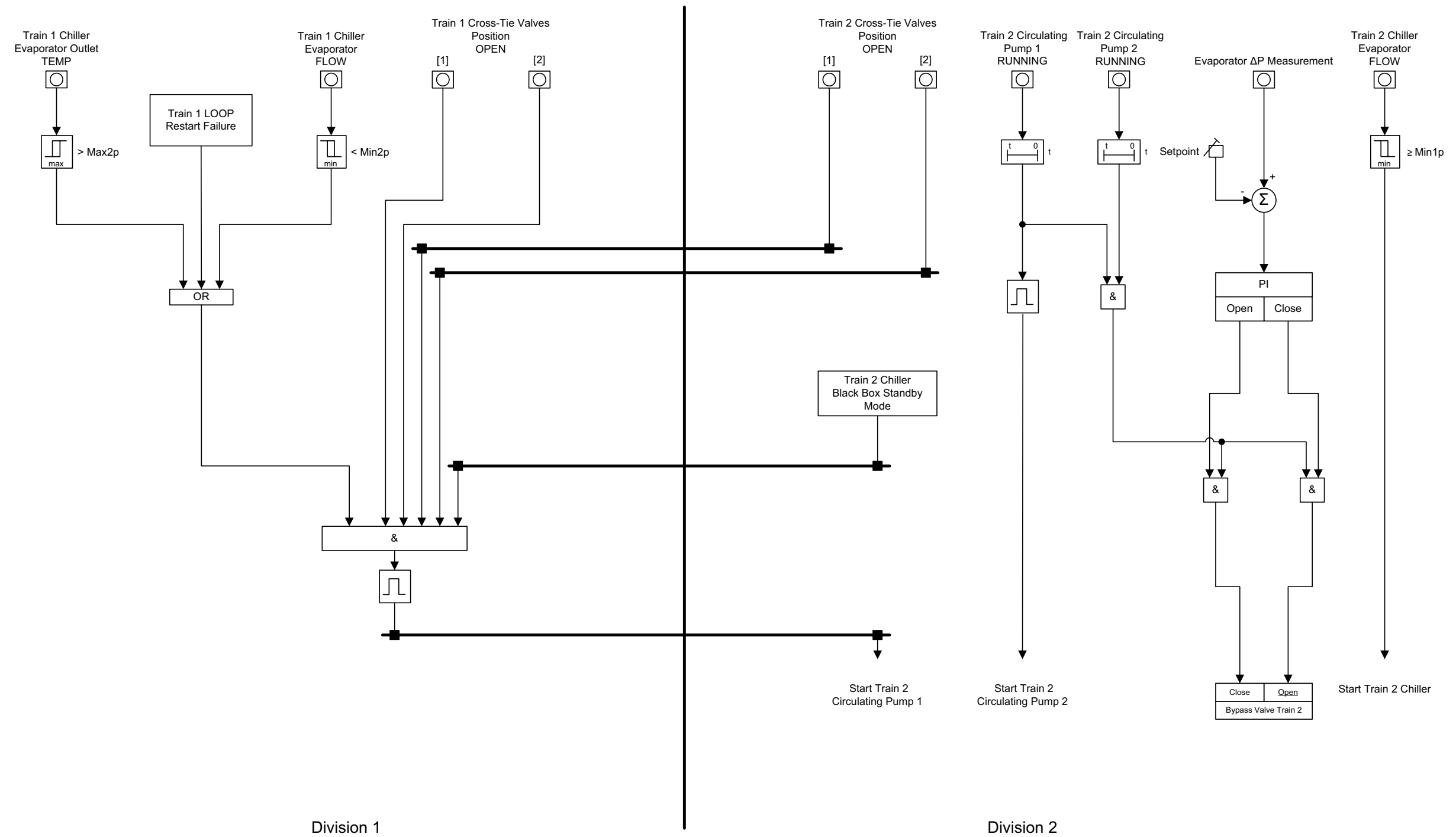


Figure 7.6-6—SCWS Train 2 to Train 1 Switchover on Train 2 Loss of Pump / Loss of Chiller / Loss of UHS-CCWS / SCWS Chiller Evaporator Water Flow Control / LOOP Re-Start Failure Interlock

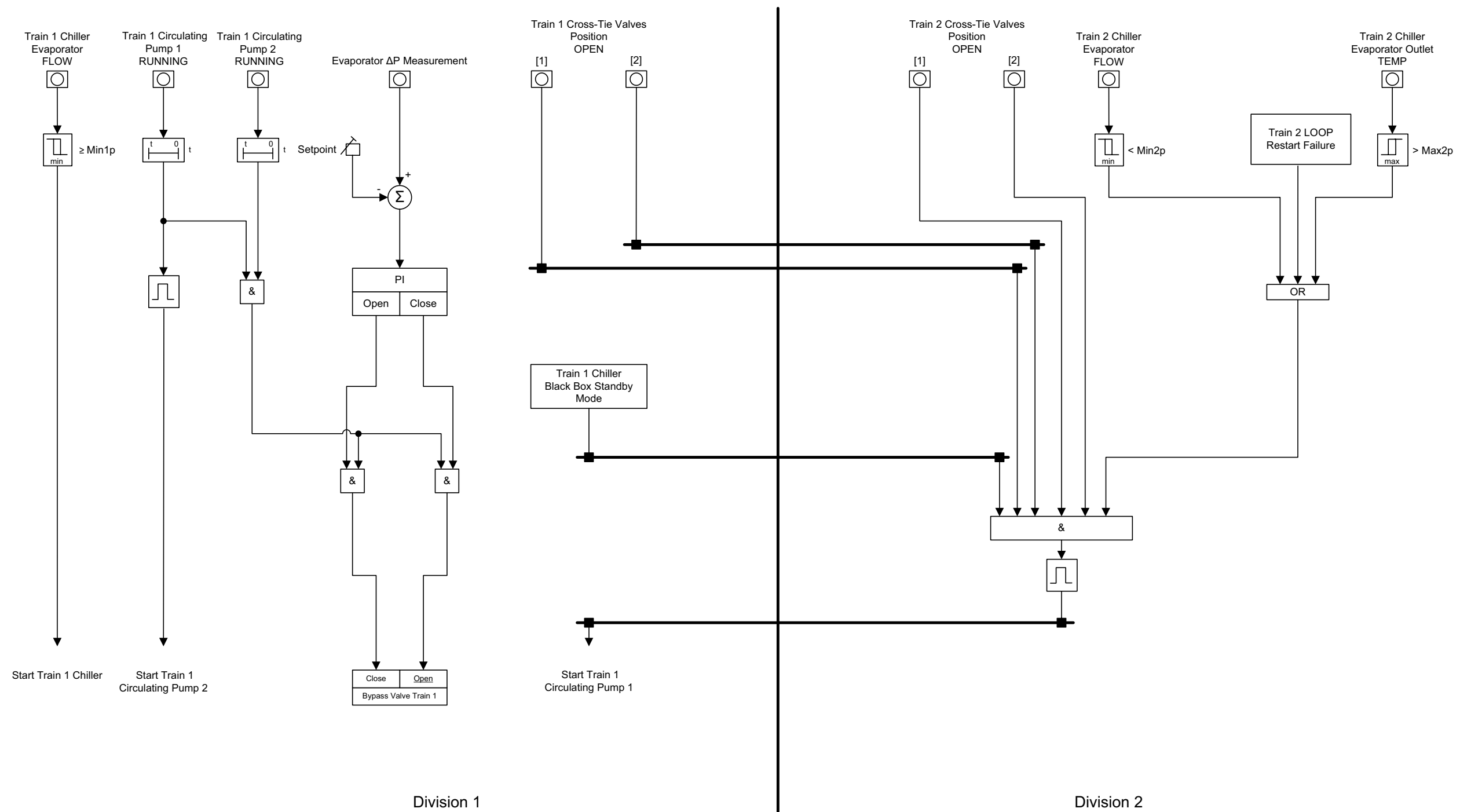
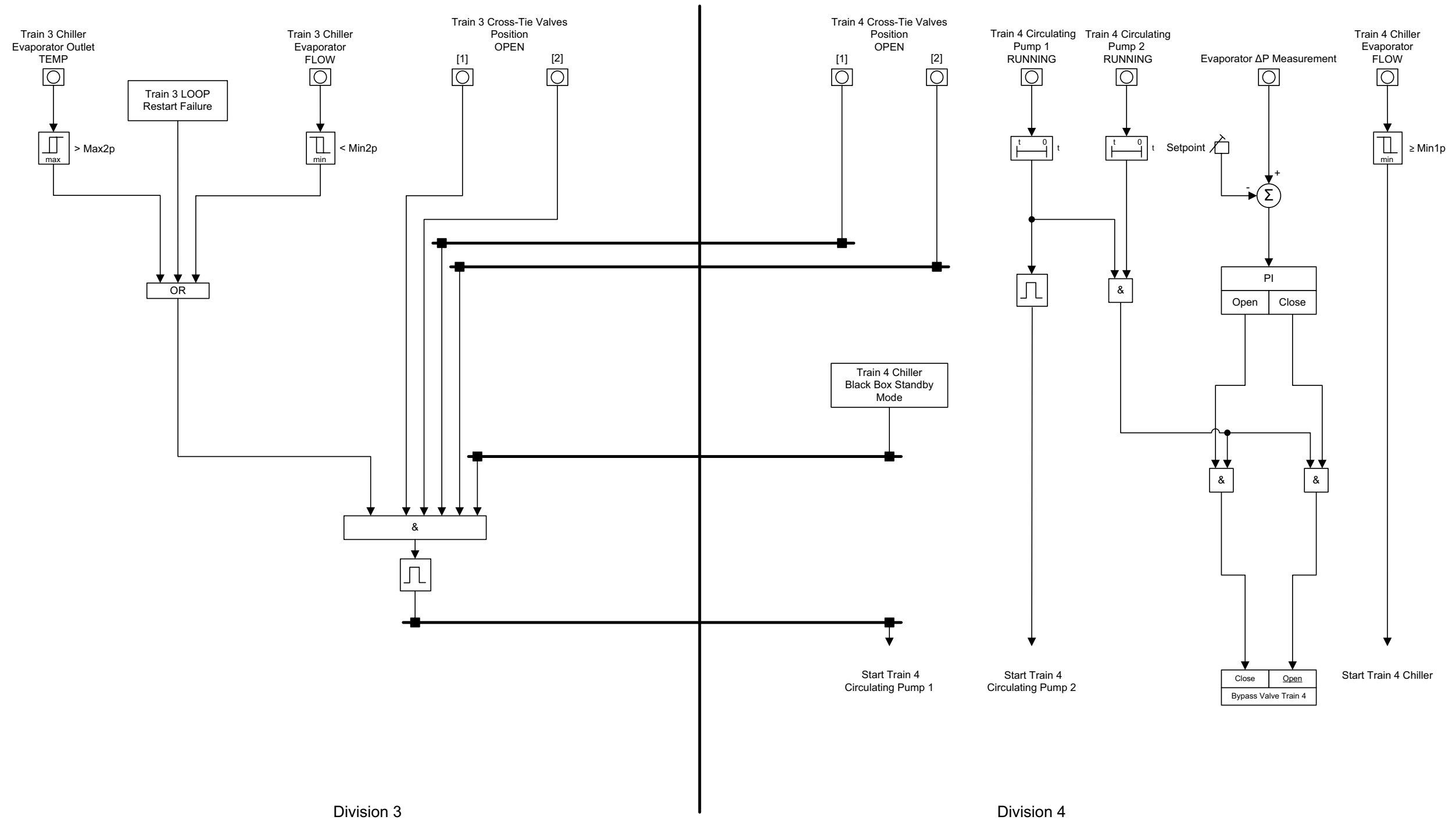
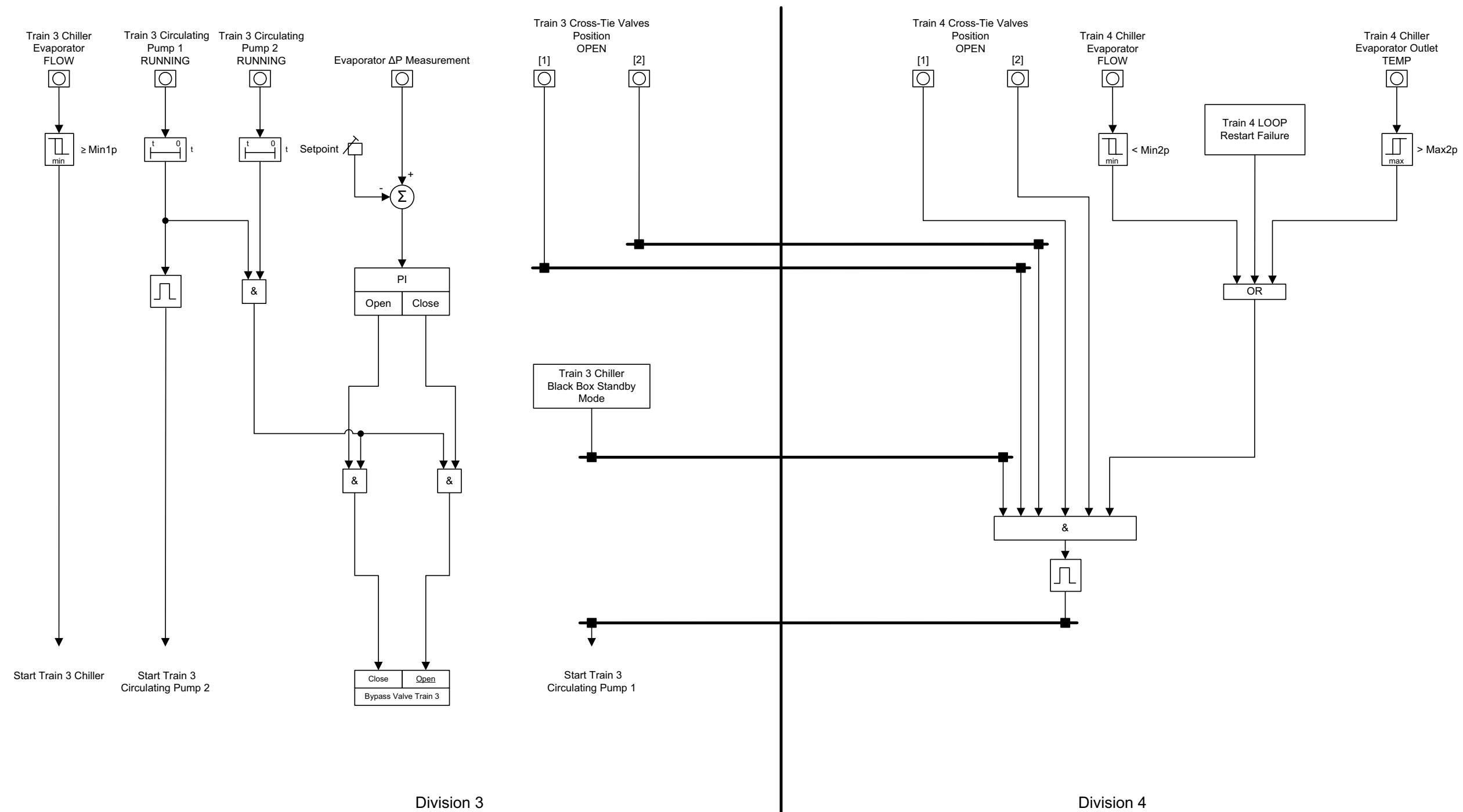


Figure 7.6-7—SCWS Train 3 to Train 4 Switchover on Train 3 Loss of Pump / Loss of Chiller / Loss of UHS-CCWS / SCWS Chiller Evaporator Water Flow Control / LOOP Re-Start Failure Interlock



REV 005
EPR3550 T2

Figure 7.6-8—SCWS Train 4 to Train 3 Switchover on Train 4 Loss of Pump / Loss of Chiller / SCWS Chiller Evaporator Water Flow Control / LOOP Re-Start Failure Interlock

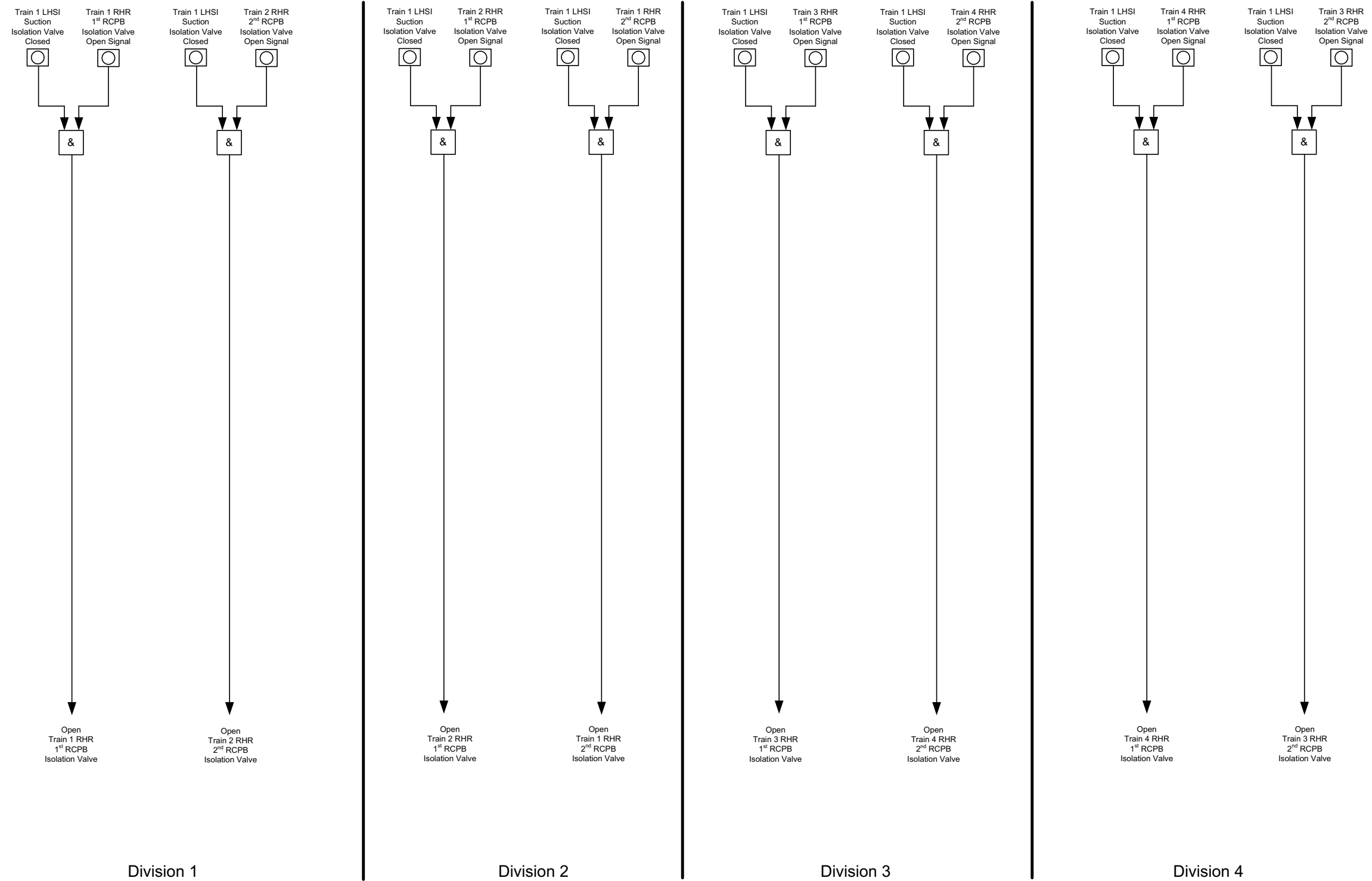


REV 005
EPR3552 T2

Figure 7.6-9—Deleted

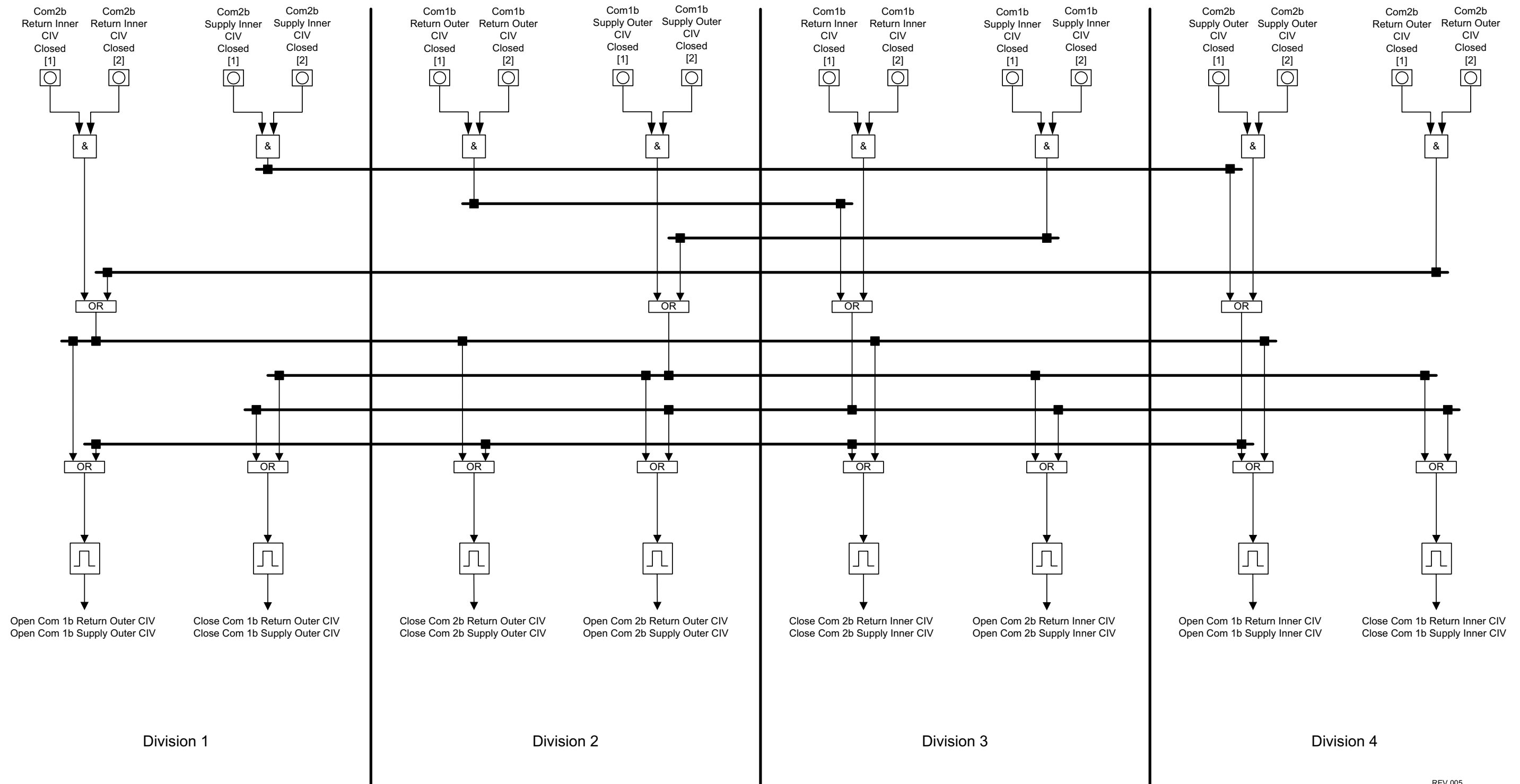
Figure 7.6-10—Deleted

Figure 7.6-11—RHR Isolation Valves Interlock



EPR3580 T2

Figure 7.6-12—CCWS RCP Thermal Barrier Containment Isolation Valves Opening Interlock



REV 005
EPR3581 T2