

Figure 7.1-20—Implementation of Independence Between Safety and Non-Safety I&C

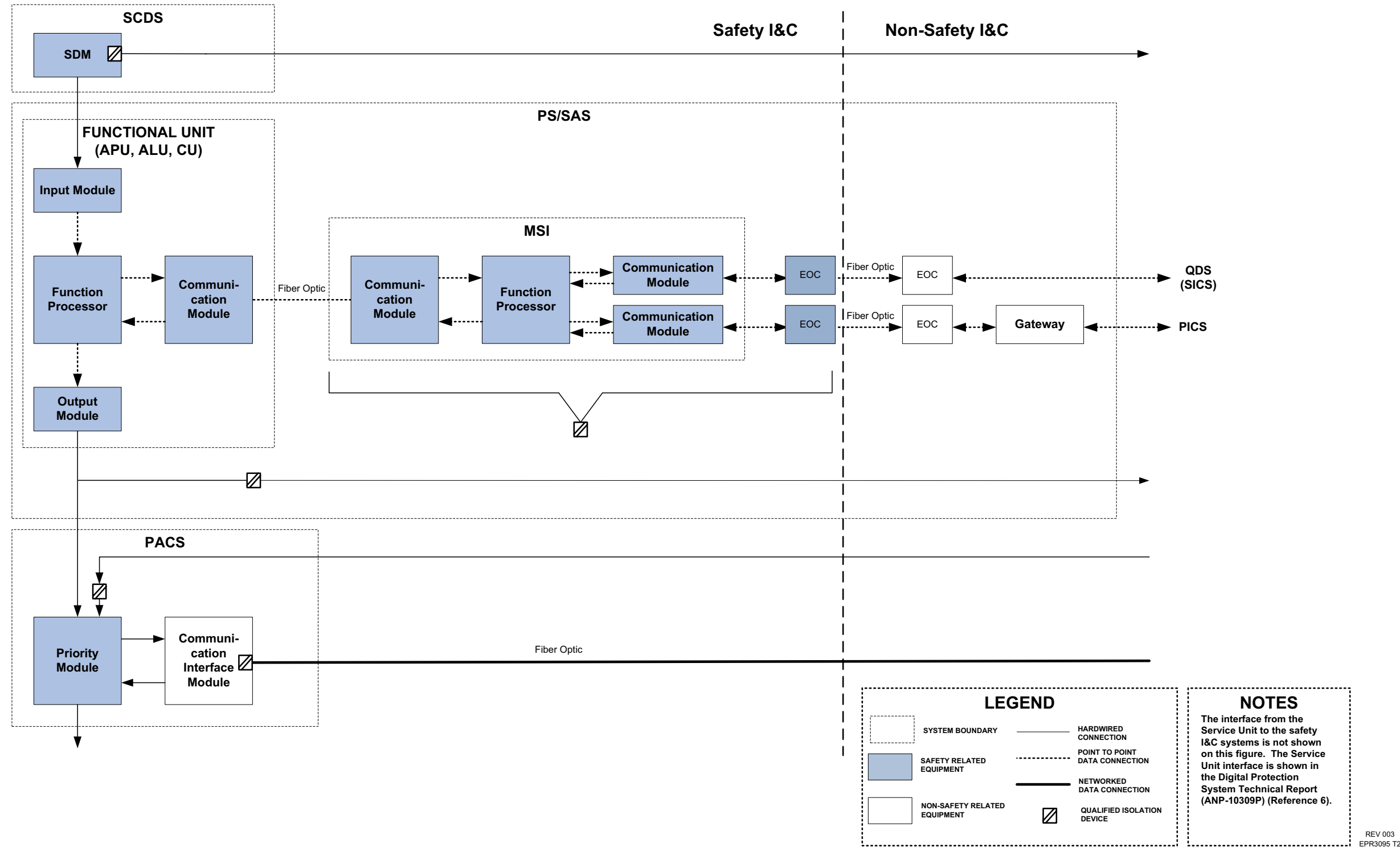
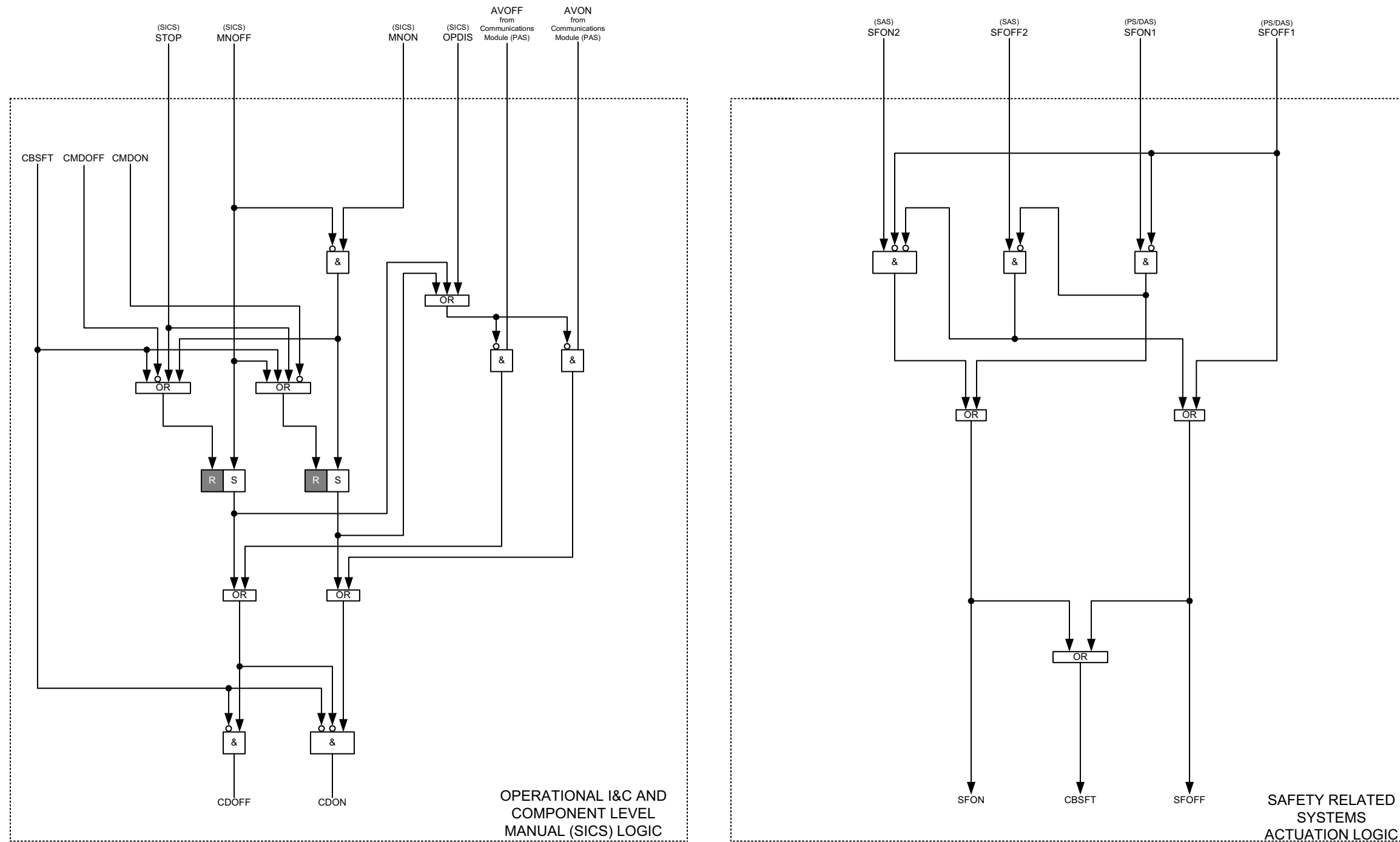


Figure 7.1-21—PACS Priority Module Logic Diagram  
Sheet 1 of 2



**NOTES:**  
Signals within the dotted box are internal to the priority module.  
Signals external to the priority module are outside the dotted box  
with their source/destination in parenthesis.

EPR3099 T2

Figure 7.1-21—PACS Priority Module Logic Diagram  
Sheet 2 of 2

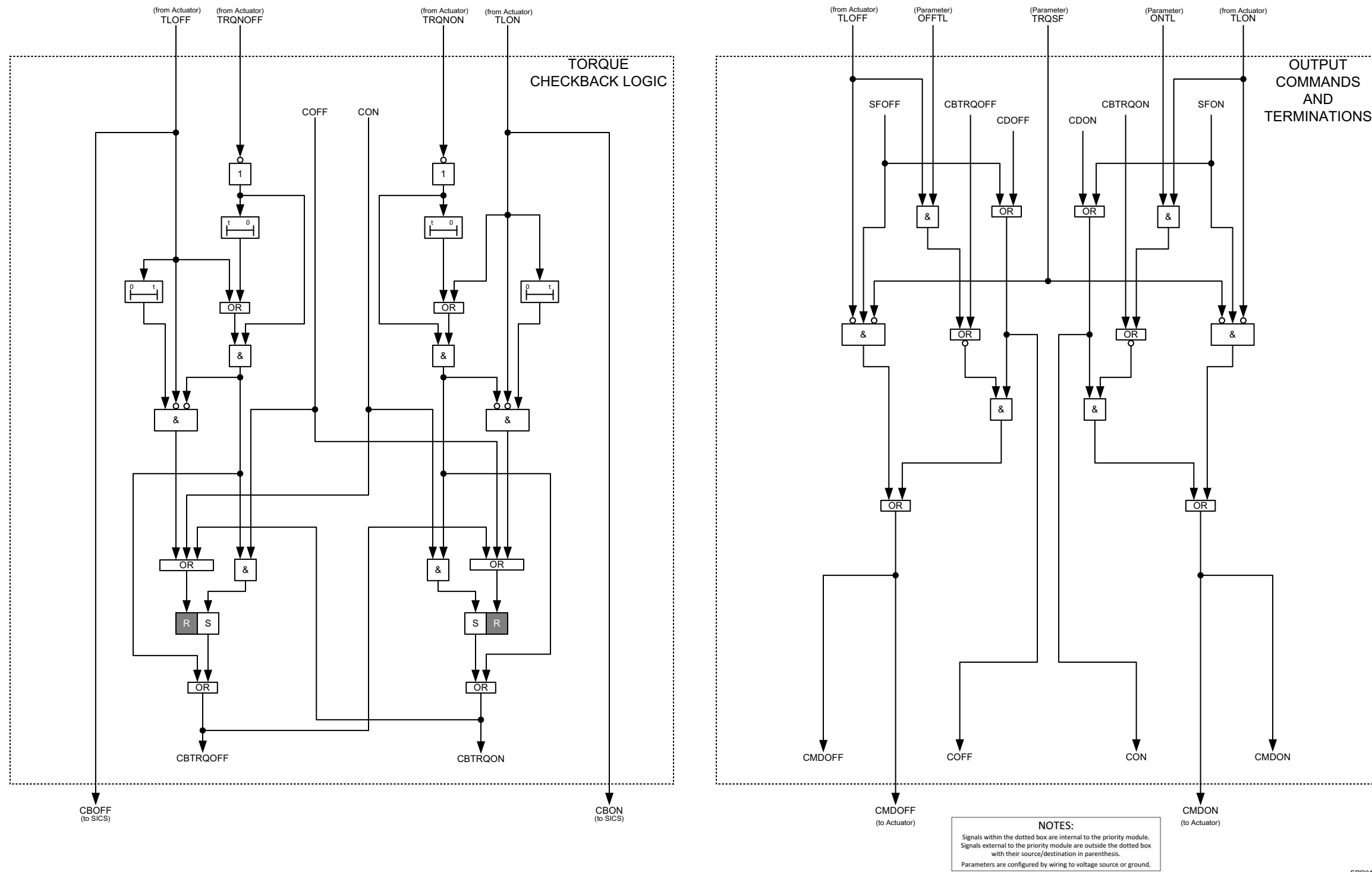


Figure 7.1-22—Distributed Control System Physical Architecture

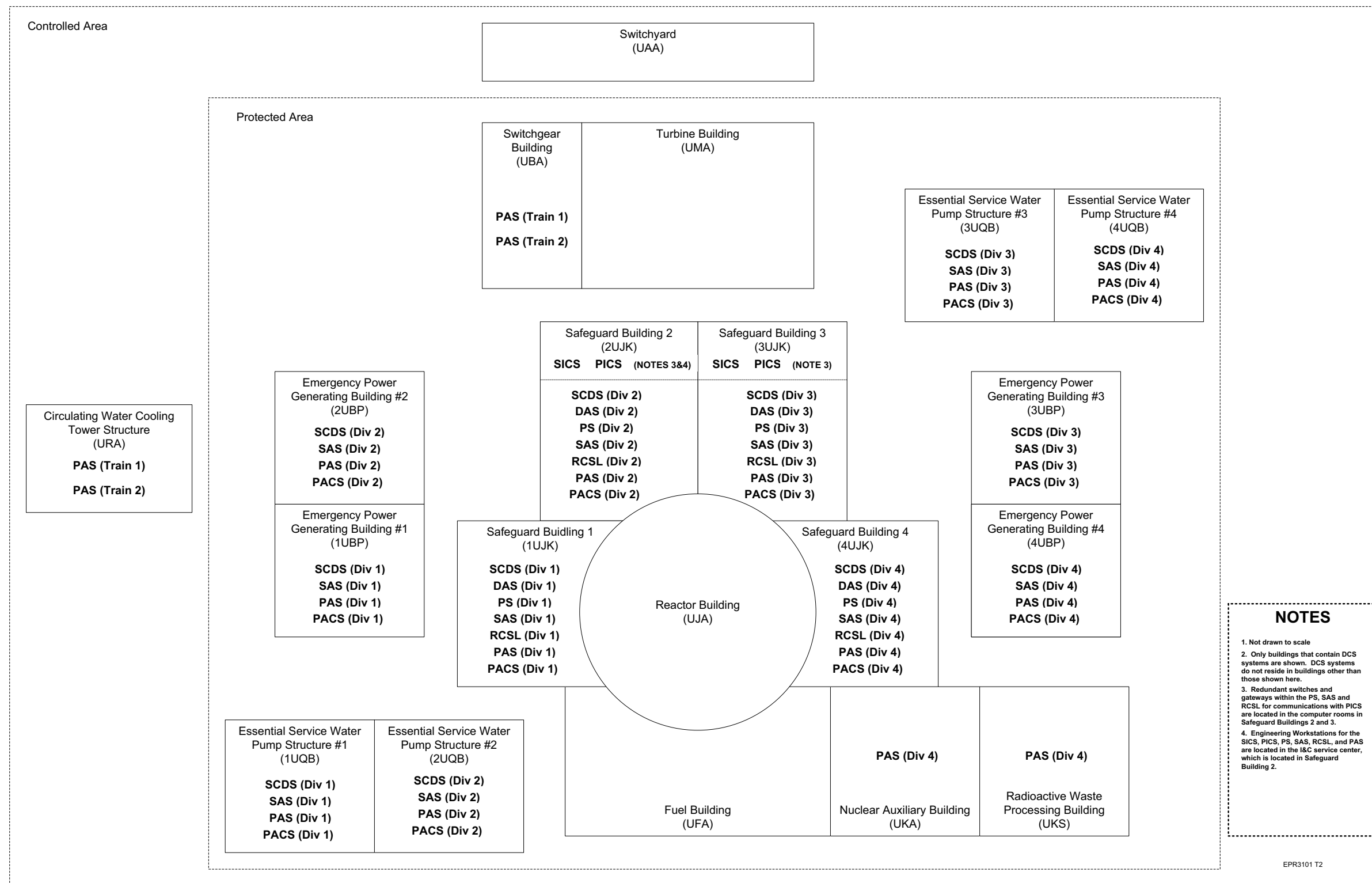
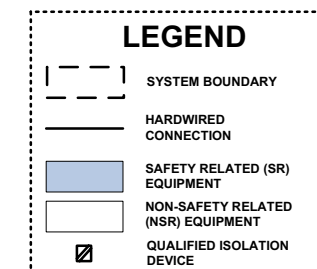
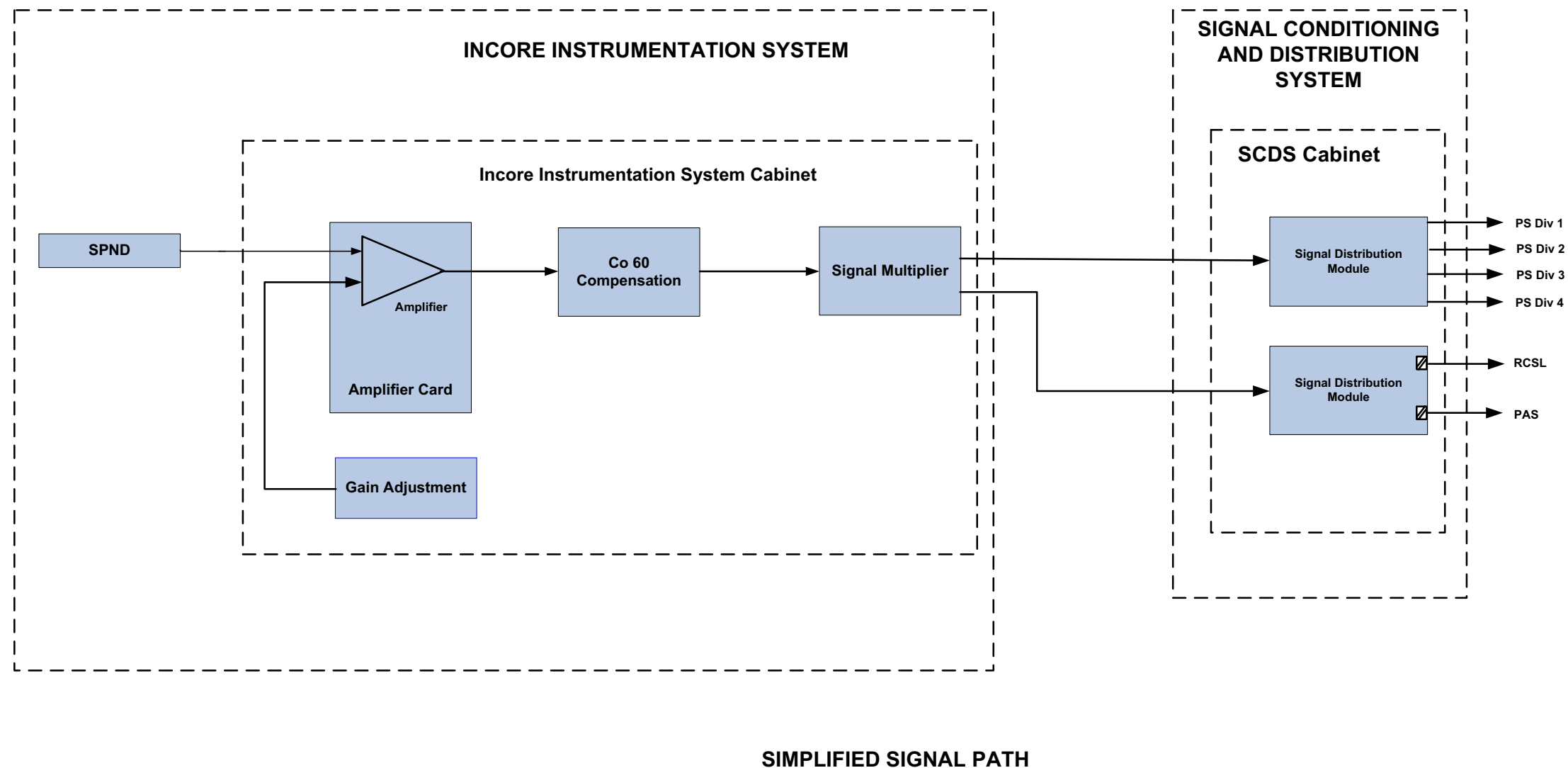


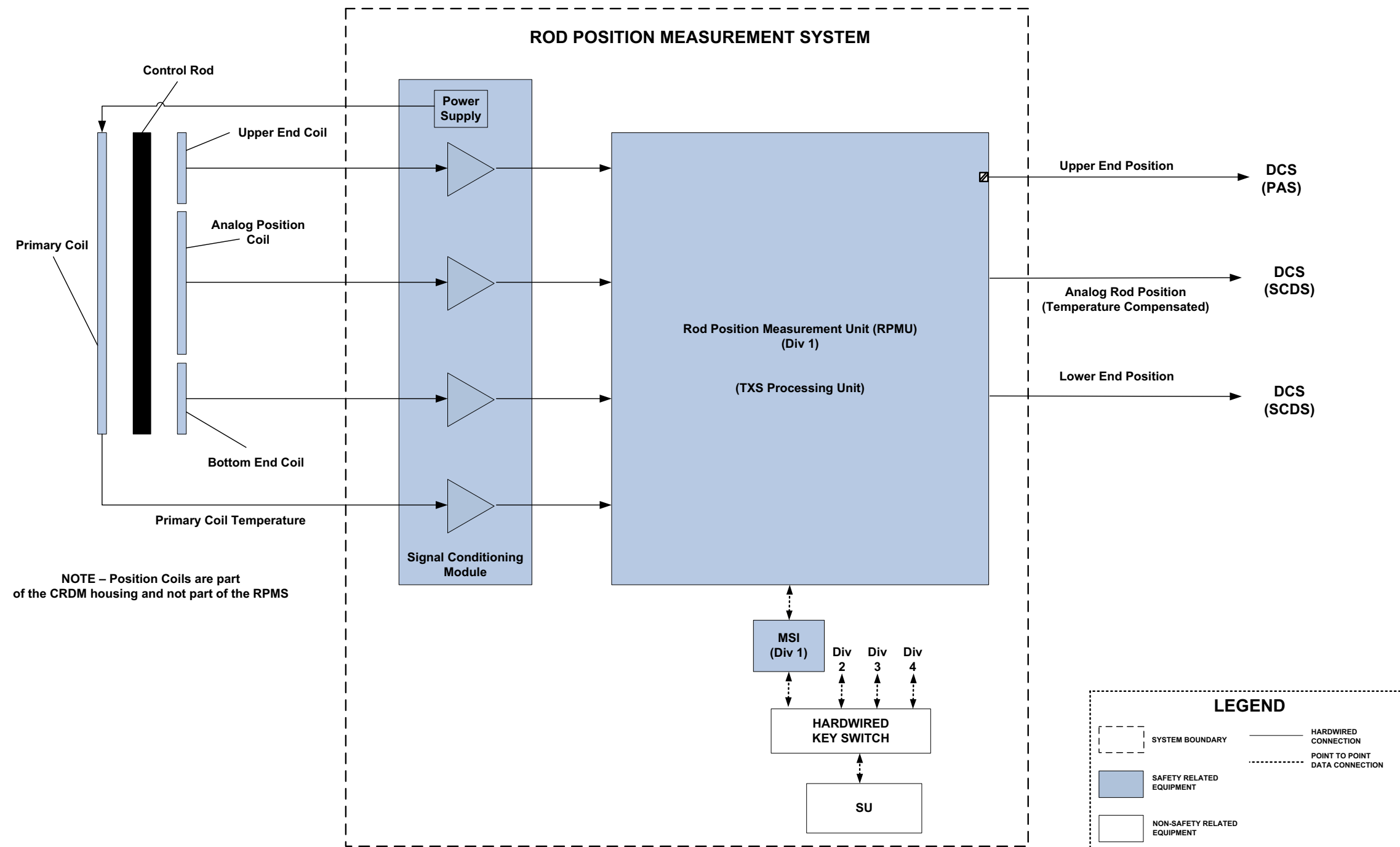


Figure 7.1-24—Self Powered Neutron Detector Functional Arrangement



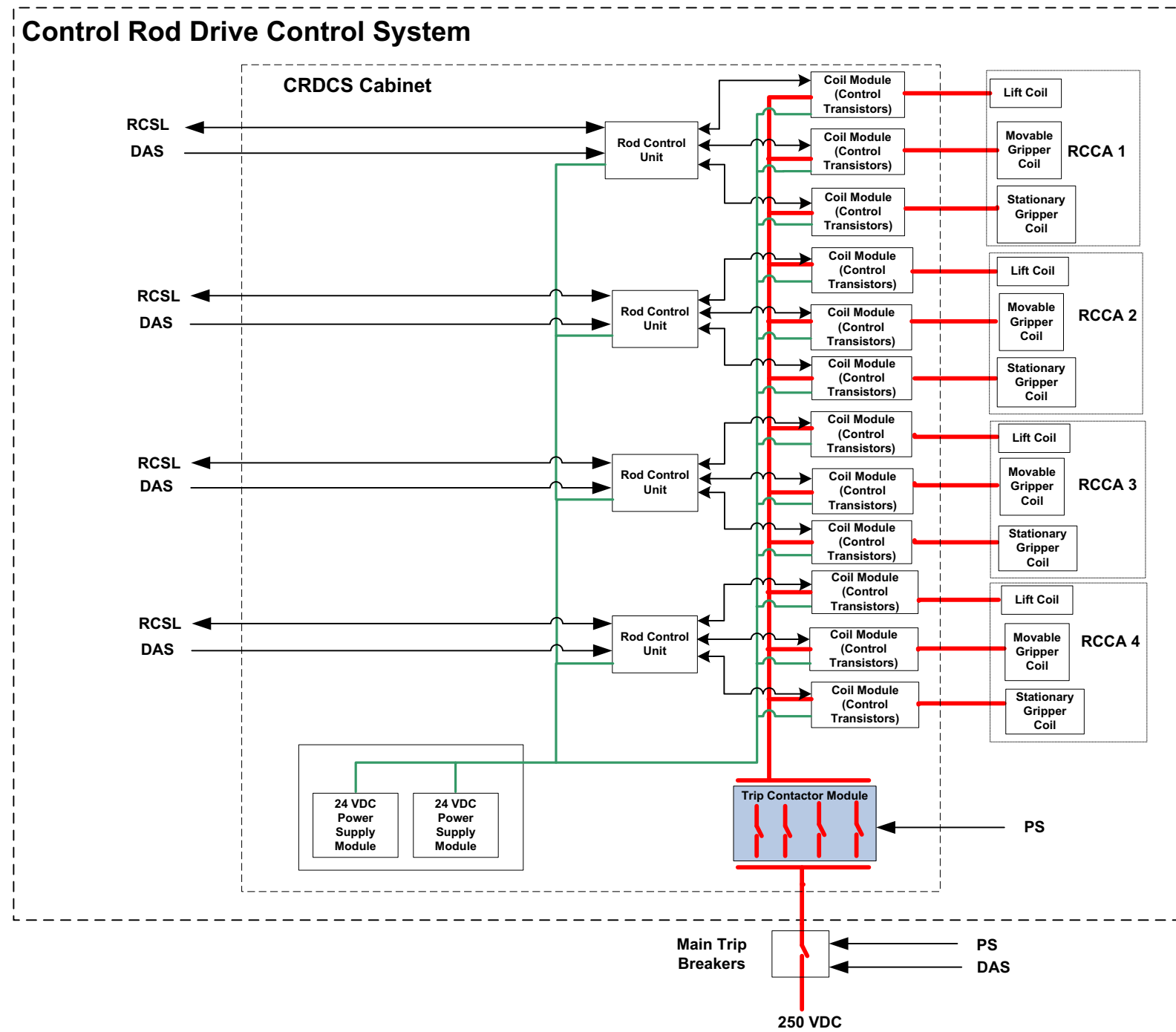
EPR3103 T2

Figure 7.1-25—Rod Position Measurement System Arrangement



EPR3104 T2

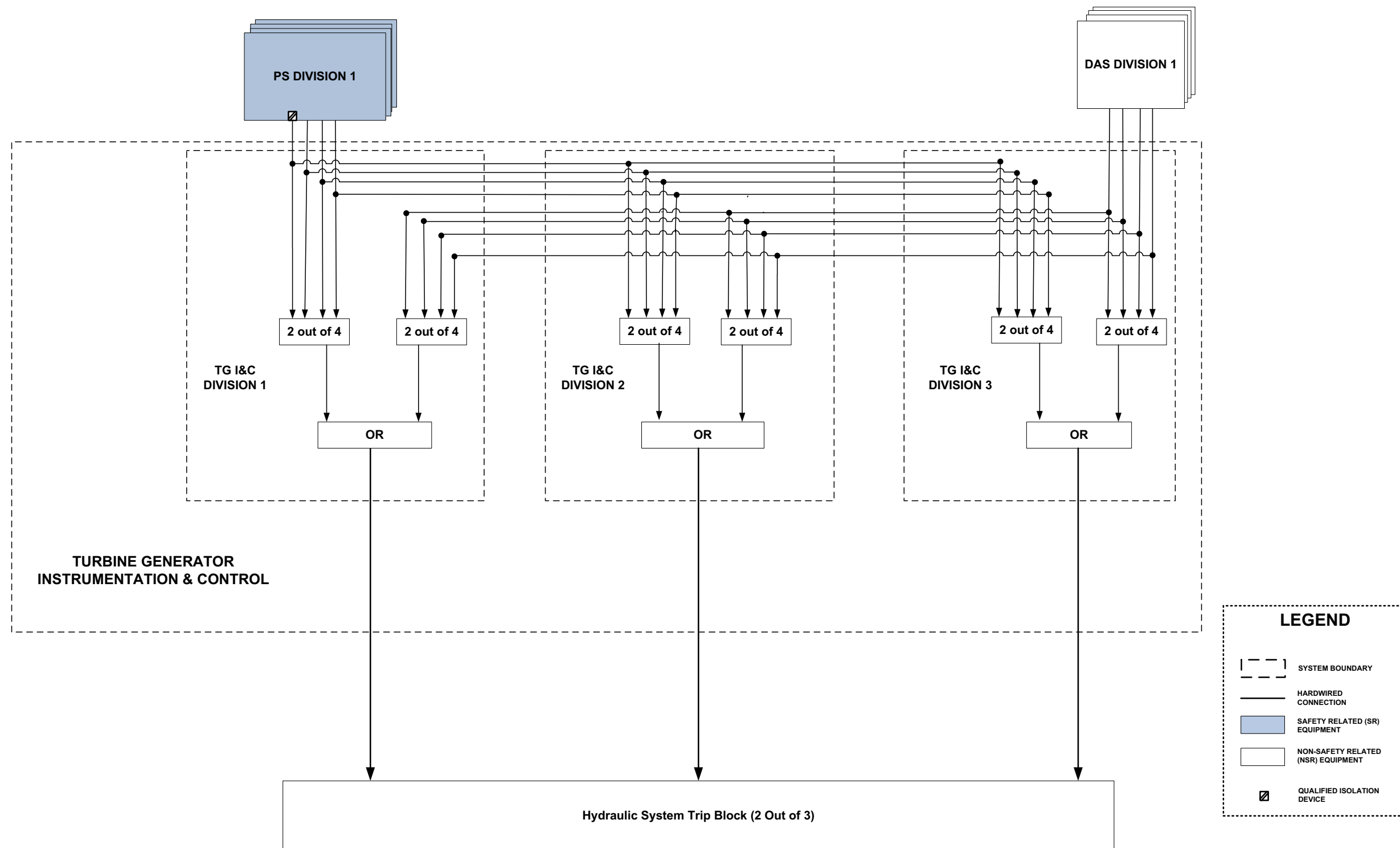
Figure 7.1-26—Control Rod Drive Control System Arrangement



EPR3106 T2



Figure 7.1-27—Turbine Trip Logic within Turbine Generator I&C



EPR3428 T2