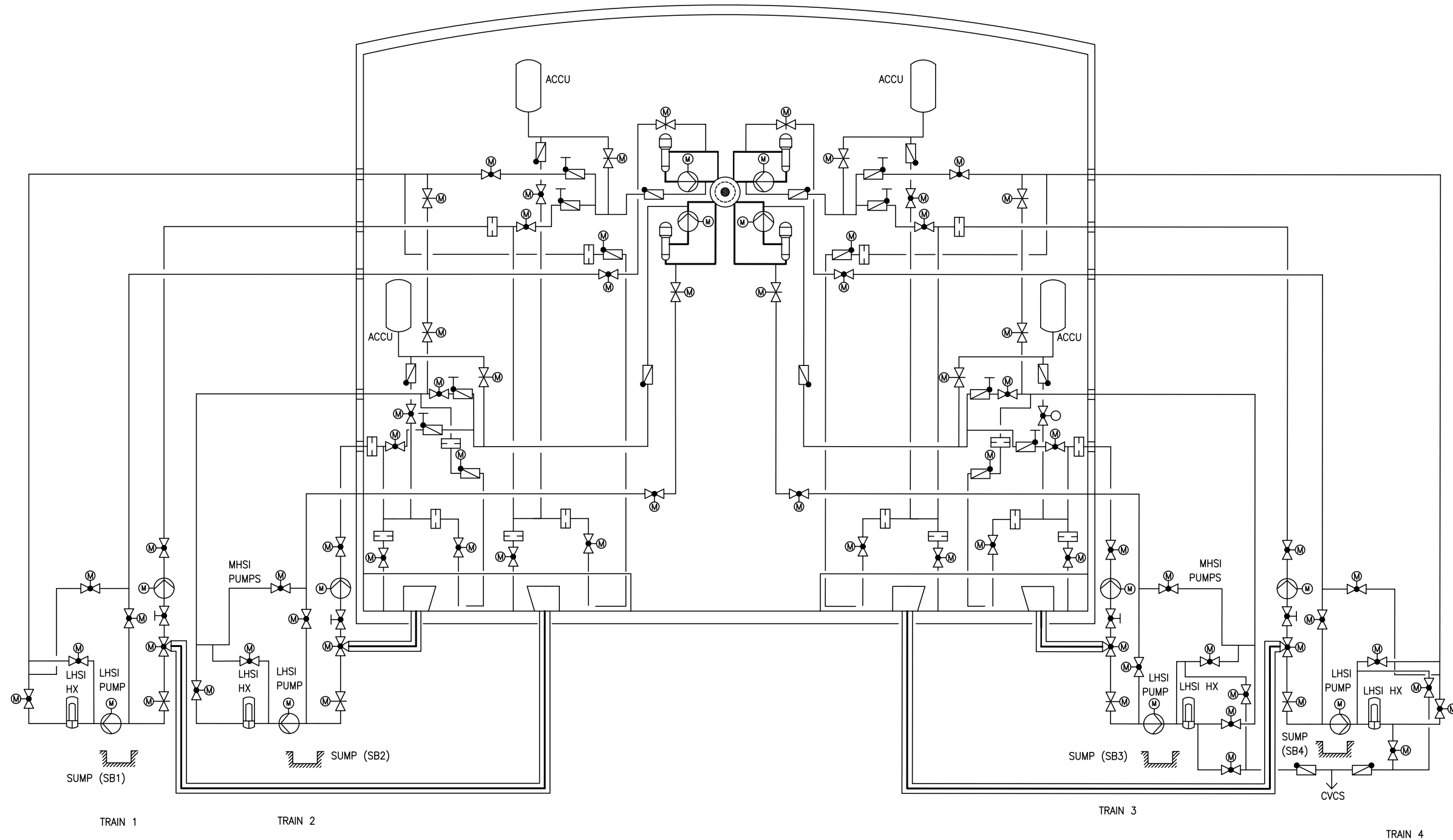
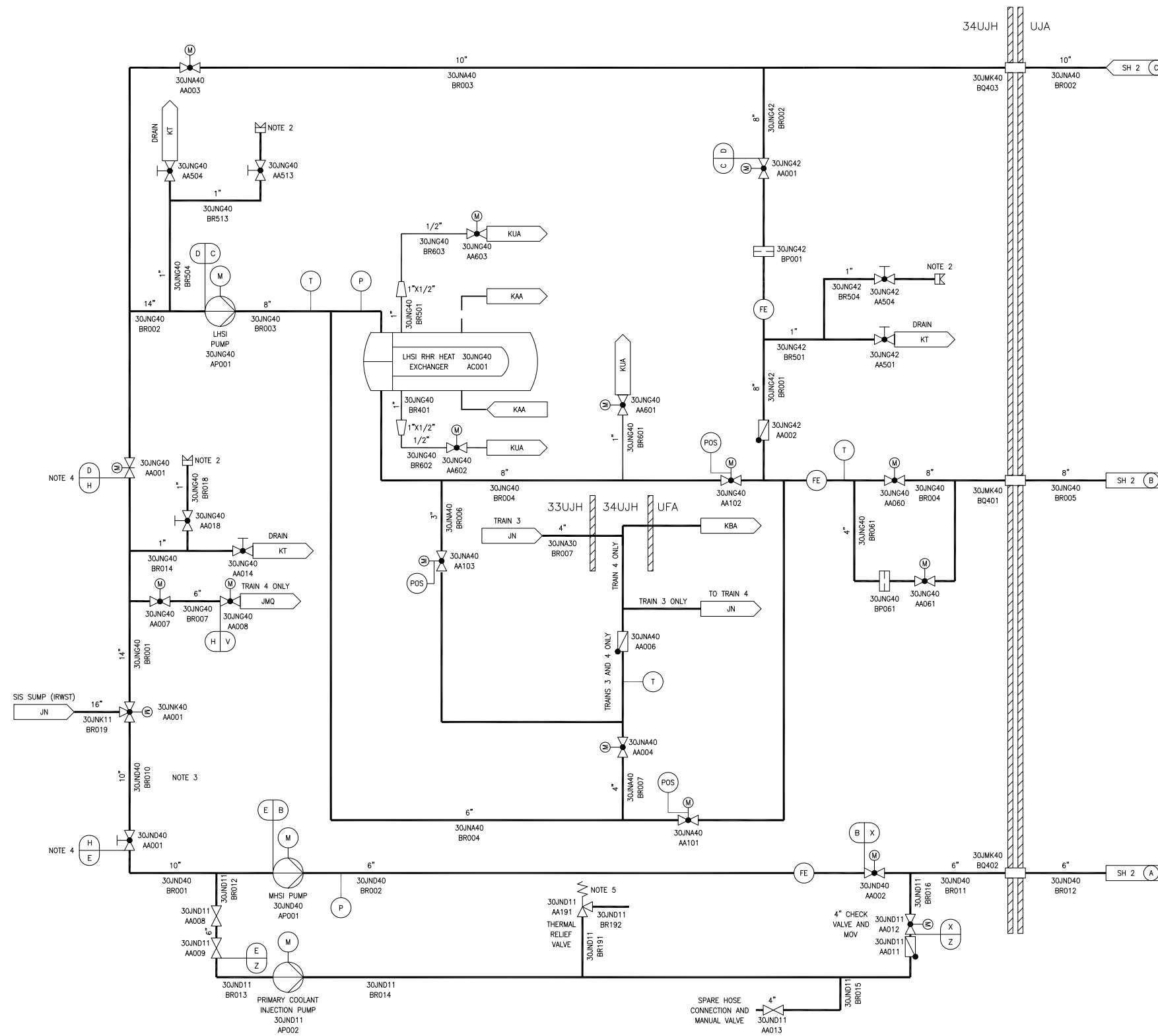


Figure 6.3-1—Safety Injection System Overview



REV 002
JNX03T2

Figure 6.3-2—Safety Injection / Residual Heat Removal System Train (Typical)
Sheet 1 of 2



- JMQ - SEVERE ACCIDENT HEAT REMOVAL SYSTEM
 - JN - SAFETY INJECTION AND RESIDUAL HEAT REMOVAL SYSTEM
 - JNA - RESIDUAL HEAT REMOVAL SYSTEM
 - JND - MEDIUM HEAD SAFETY INJECTION SYSTEM
 - JNG - LOW HEAD SAFETY INJECTION SYSTEM
 - JNK - IN-CONTAINMENT REFUELING WATER STORAGE TANK SYSTEM
 - KAA - COMPONENT COOLING WATER SYSTEM SUPPLY TRAIN
 - KBA - VOLUME CONTROL SYSTEM
 - KT - NUCLEAR ISLAND DRAIN AND VENT SYSTEM
 - KUA - NUCLEAR SAMPLING SYSTEM- ACTIVE LIQUID SAMPLES
- UJA - REACTOR BUILDING
 33UJH - SAFEGUARD BUILDING MECHANICAL, DIVISION 3
 34UJH - SAFEGUARD BUILDING MECHANICAL, DIVISION 4
 UFA - FUEL BUILDING

- NOTES:
1. TRAIN 4 SHOWN: REPRESENTATIVE OF TRAINS 1, 2 AND 3 WITH EXCEPTIONS AS NOTED.
 2. CONNECTION FOR CONTAINMENT ISOLATION LEAK TIGHTNESS TEST.
 3. 30JND40 BR010 APPLIES TO TRAIN 4 ONLY. FOR TRAINS 1, 2 AND 3, 30JND10/20/30 BR001 EXTENDS TO THE 3-WAY VALVE.
 4. DESIGN AREA H ENDS AT THE INLET TO THE 3-WAY VALVE AND CONTINUES AS DESIGN AREA E FOR TRAINS 1, 2 AND 3.
 5. DISCHARGE TO VISIBLE LOCATION.

Z	D	600	250	II
X	B	1525	340	I
V	B	175	320	I
H	B	75	320	I
E	B	75	250	I
D	B	930	360	I
C	B	1160	360	I
B	B	1525	250	I
DESIGN AREA	SSC QUALITY GROUP	DESIGN PRESSURE PSIG	DESIGN TEMPERATURE °F	SSC SEISMIC CLASS

REV 005
JNX01T2

Figure 6.3-2—Safety Injection / Residual Heat Removal System Train (Typical)
Sheet 2 of 2

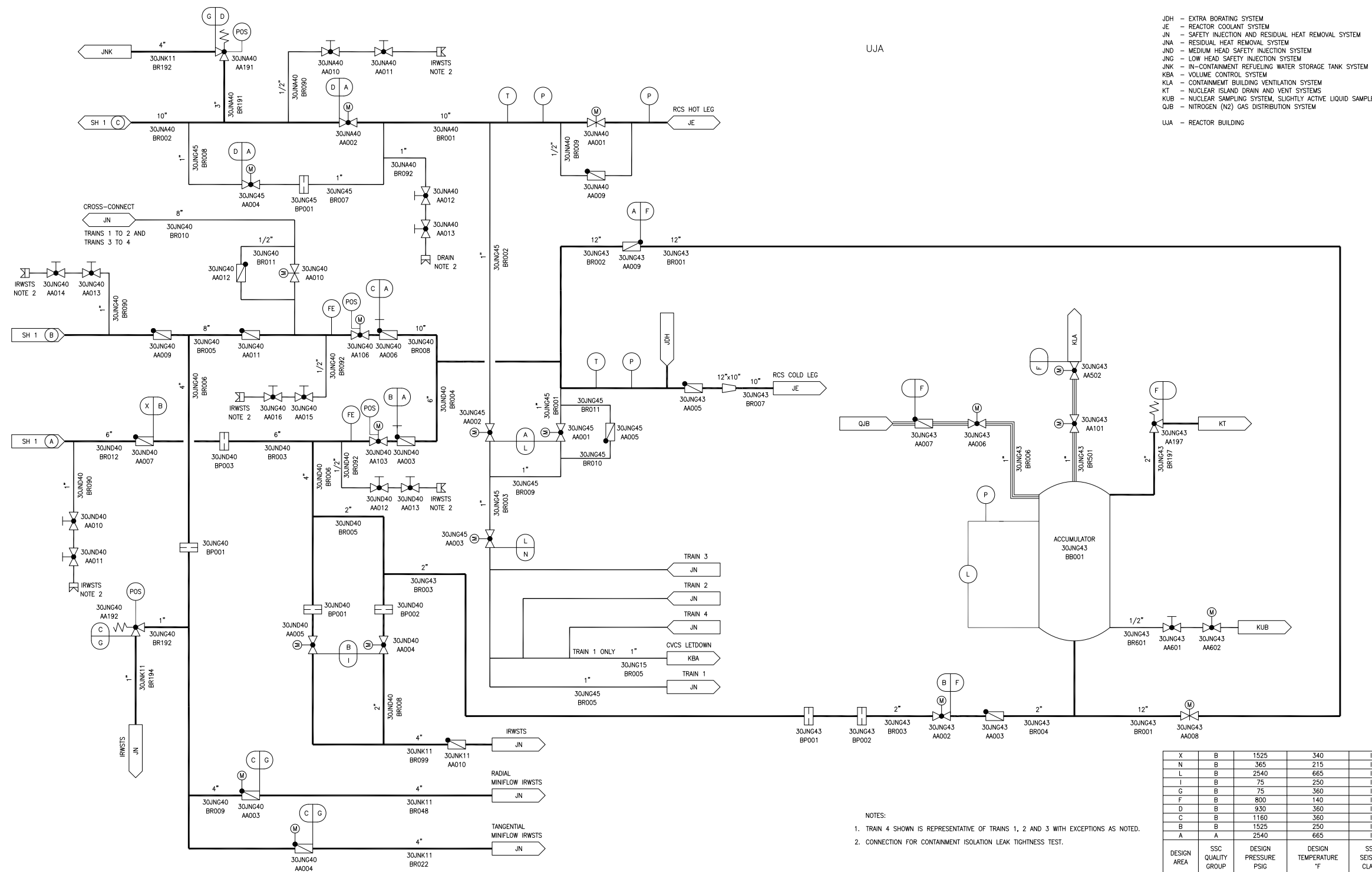
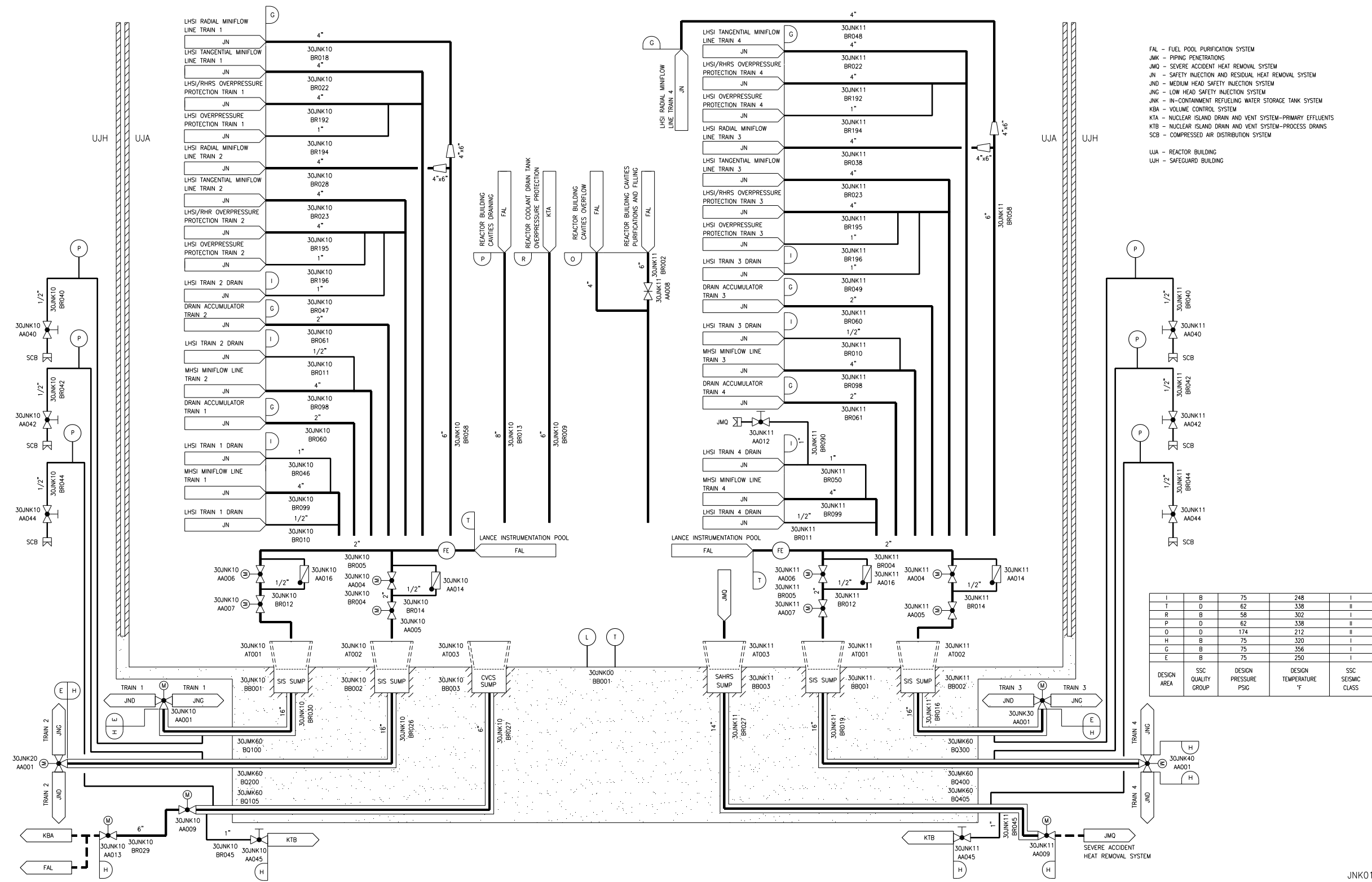


Figure 6.3-3—IRWST Layout



- FAL - FUEL POOL PURIFICATION SYSTEM
- JMK - PIPING PENETRATIONS
- JMO - SEVERE ACCIDENT HEAT REMOVAL SYSTEM
- JND - MEDIUM HEAD SAFETY INJECTION SYSTEM
- JN - SAFETY INJECTION AND RESIDUAL HEAT REMOVAL SYSTEM
- JNG - LOW HEAD SAFETY INJECTION SYSTEM
- JNK - IN-CONTAINMENT REFUELING WATER STORAGE TANK SYSTEM
- KBA - VOLUME CONTROL SYSTEM
- KTA - NUCLEAR ISLAND DRAIN AND VENT SYSTEM-PRIMARY EFFLUENTS
- KTB - NUCLEAR ISLAND DRAIN AND VENT SYSTEM-PROCESS DRAINS
- SCB - COMPRESSED AIR DISTRIBUTION SYSTEM
- UJA - REACTOR BUILDING
- UJH - SAFEGUARD BUILDING

I	B	75	248	I
T	D	62	338	II
R	B	58	302	I
P	D	62	338	II
O	D	174	212	III
H	B	75	320	I
G	B	75	356	I
E	B	75	250	I
DESIGN AREA	SSC QUALITY GROUP	DESIGN PRESSURE PSIG	DESIGN TEMPERATURE °F	SSC SEISMIC CLASS

JNK01T2