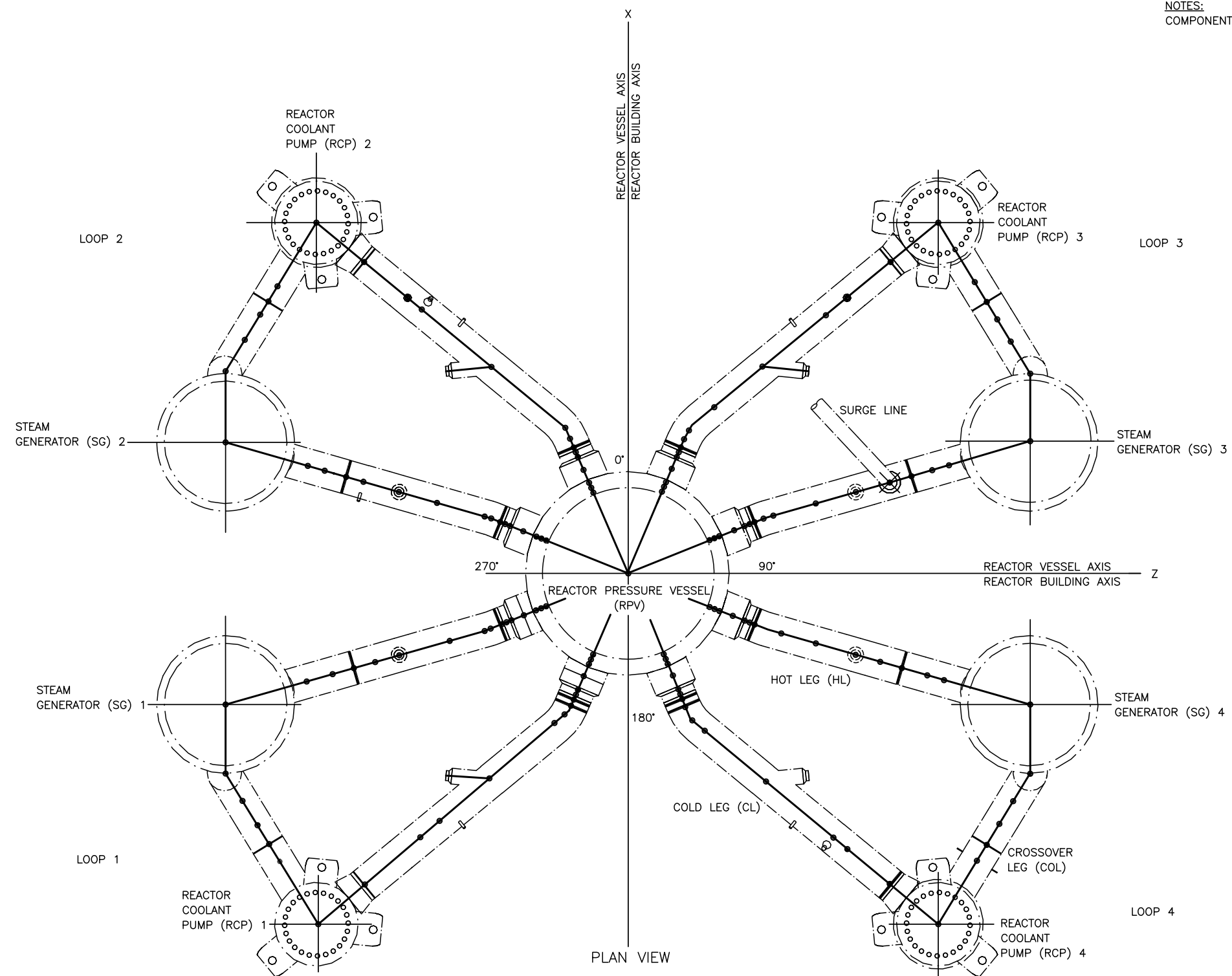


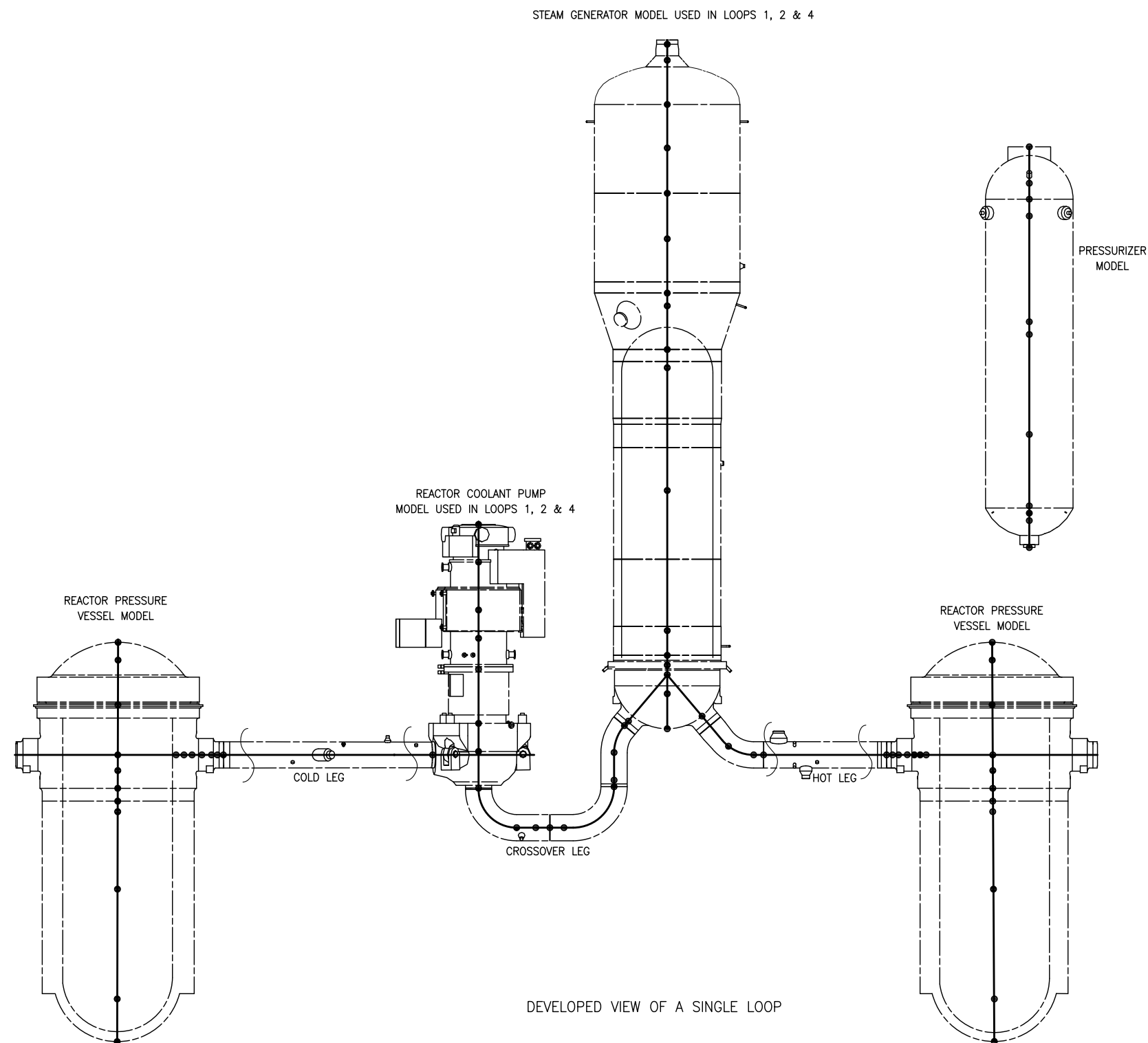
Figure 3C-5—RCS Four-Loop Structural Model  
Sheet 1 of 3



NOTES:  
COMPONENT SUPPORT/RESTRAINT MODELING NOT SHOWN

JE01 T2

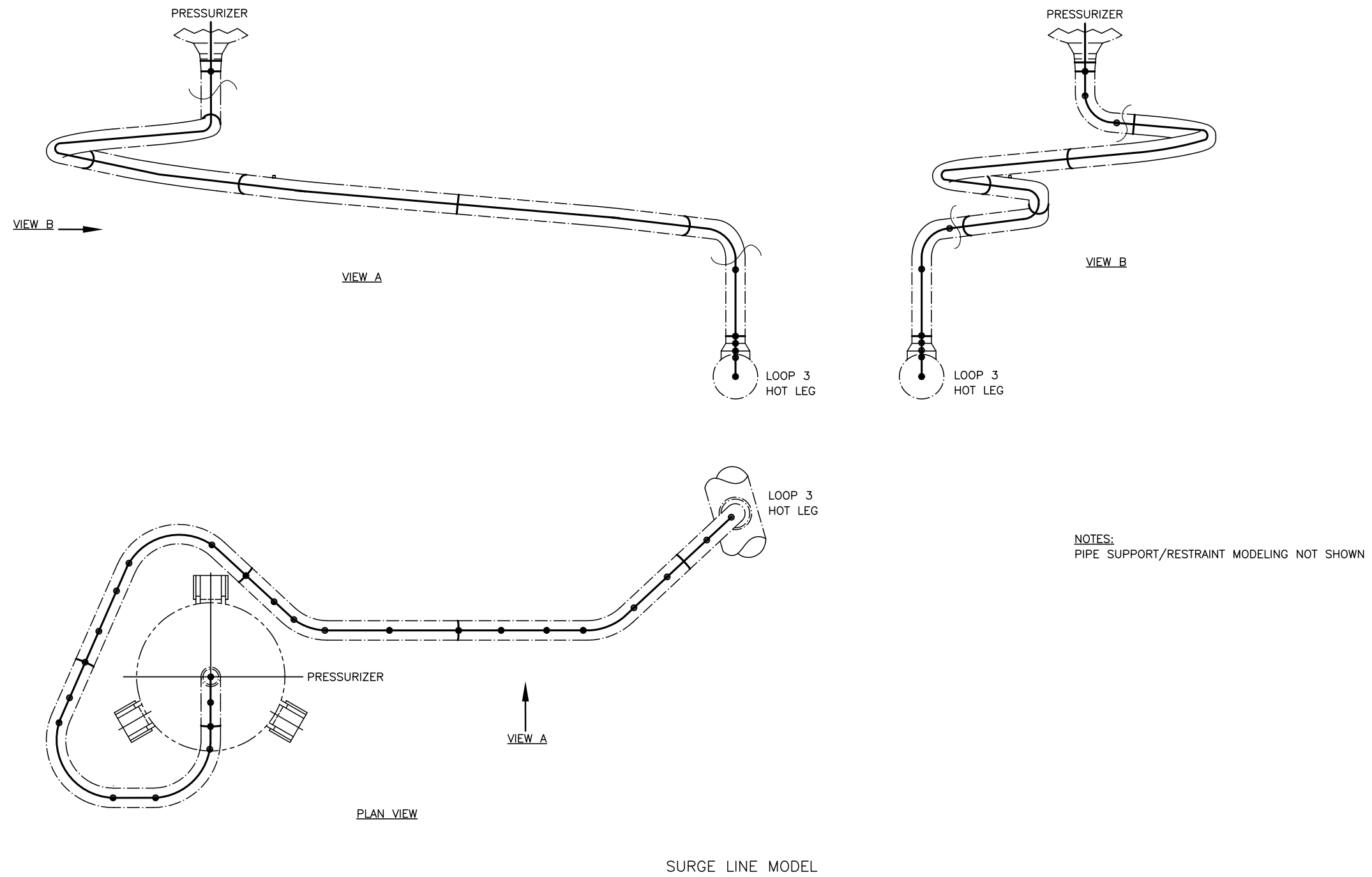
Figure 3C-5—RCS Four-Loop Structural Model  
Sheet 2 of 3



- NOTES:  
 1. PRESSURIZER INTERNALS MODEL NOT SHOWN  
 2. COMPONENT SUPPORT/RESTRAINT MODELING NOT SHOWN

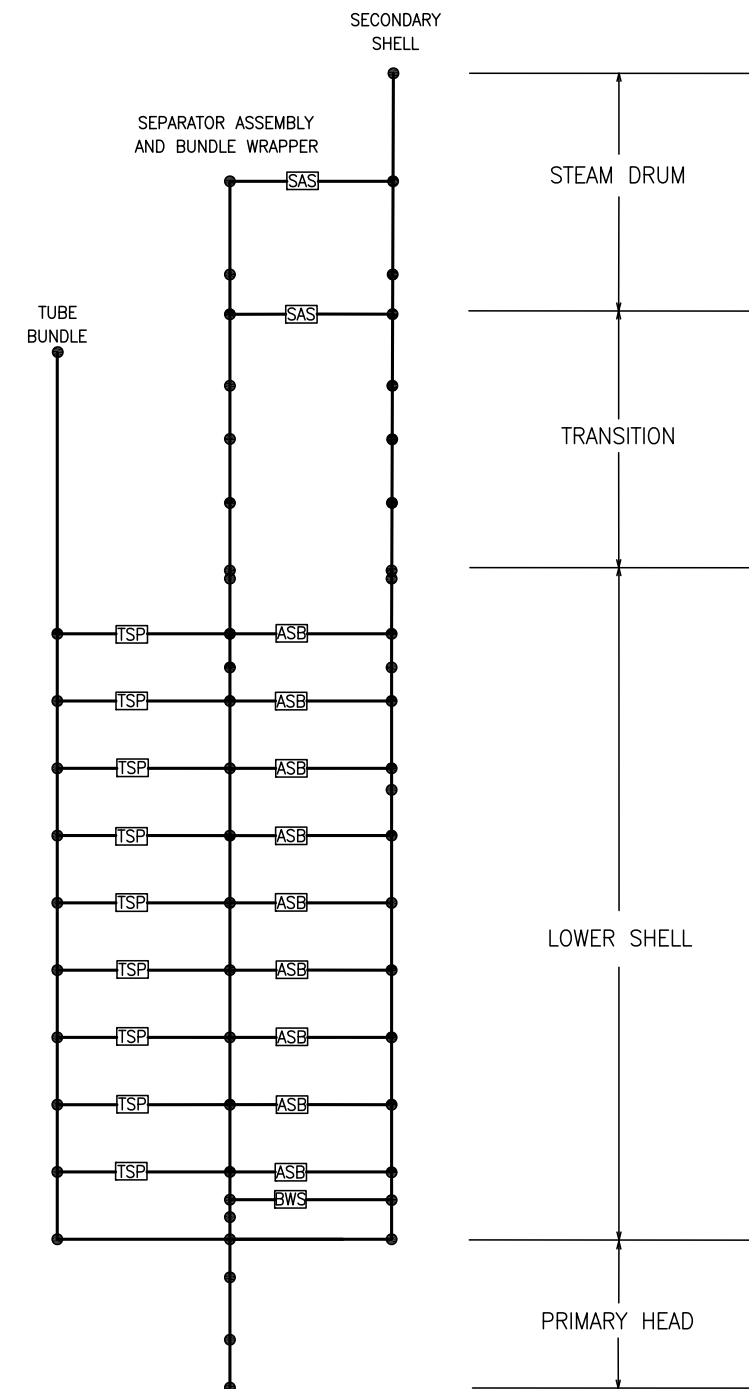
JE02 T2

Figure 3C-5—RCS Four-Loop Structural Model  
Sheet 3 of 3



JE03 T2

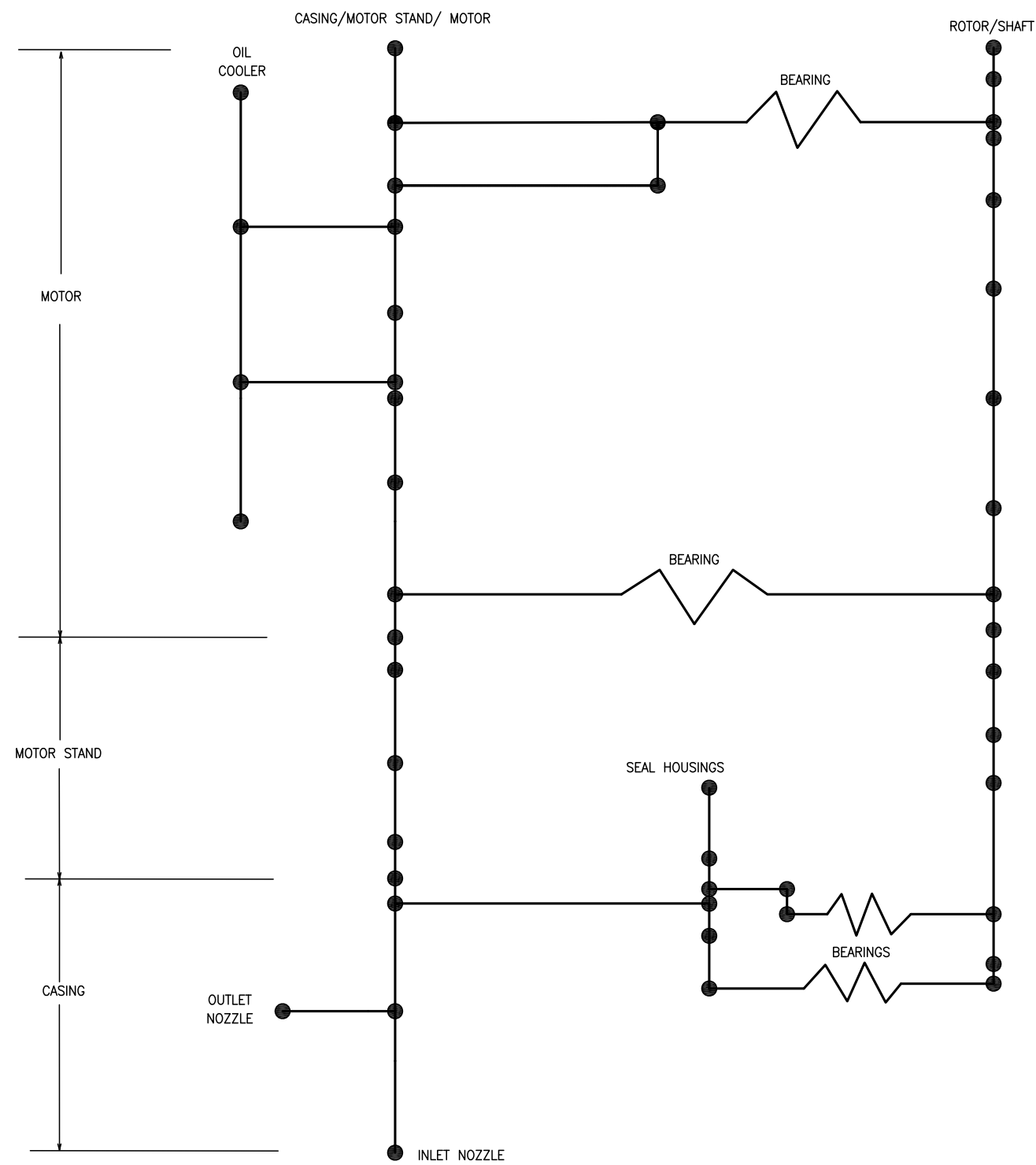
Figure 3C-6—SG Detailed Structural Model



- NOTES:
1. COMPONENT SUPPORT/RESTRAINT MODELING NOT SHOWN
  2. ASB = ANTI SEISMIC BLOCK  
 BWS = BUNDLE WRAPPER SUPPORT  
 SAS = SEPARATOR ASSEMBLY SUPPORT  
 TSP = TUBE SUPPORT PLATE

JEAMM T2

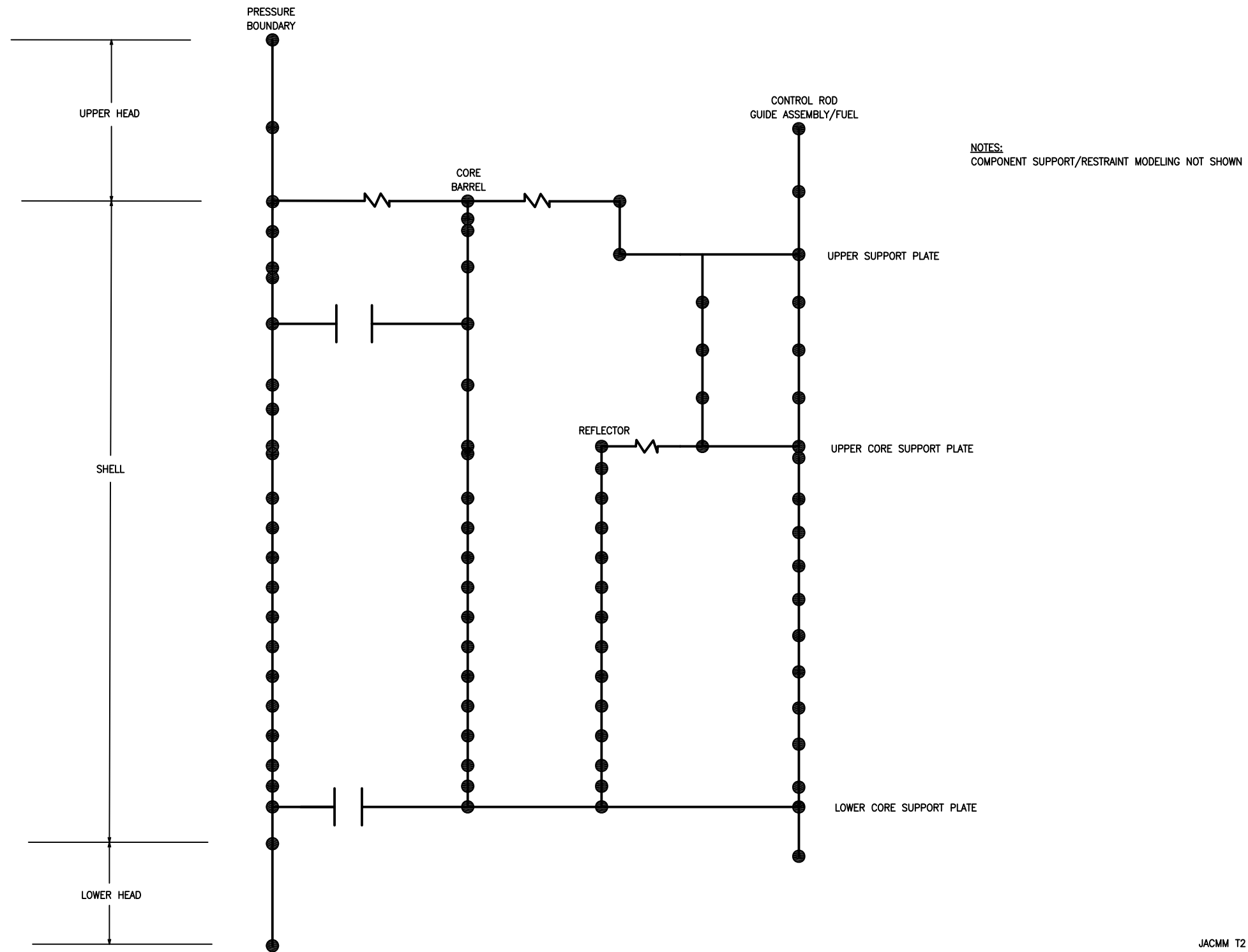
Figure 3C-7—RCP Detailed Structural Model



NOTES:  
COMPONENT SUPPORT/RESTRAINT MODELING NOT SHOWN

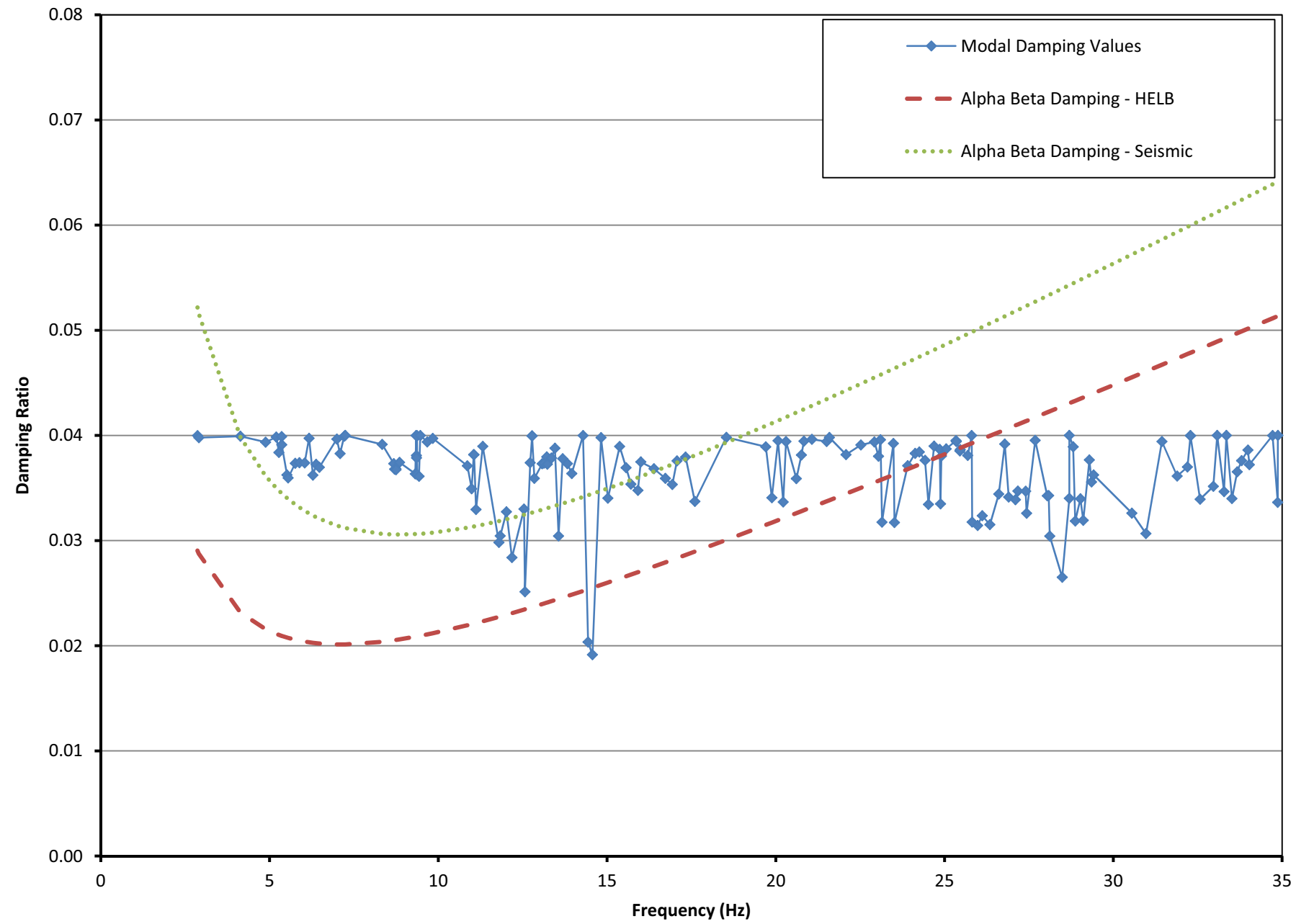
JEBMM T2

Figure 3C-8—RPV Isolated Structural Model



JACMM T2

Figure 3C-9—Rayleigh Damping Curve



REV 005  
EPR1240 T2