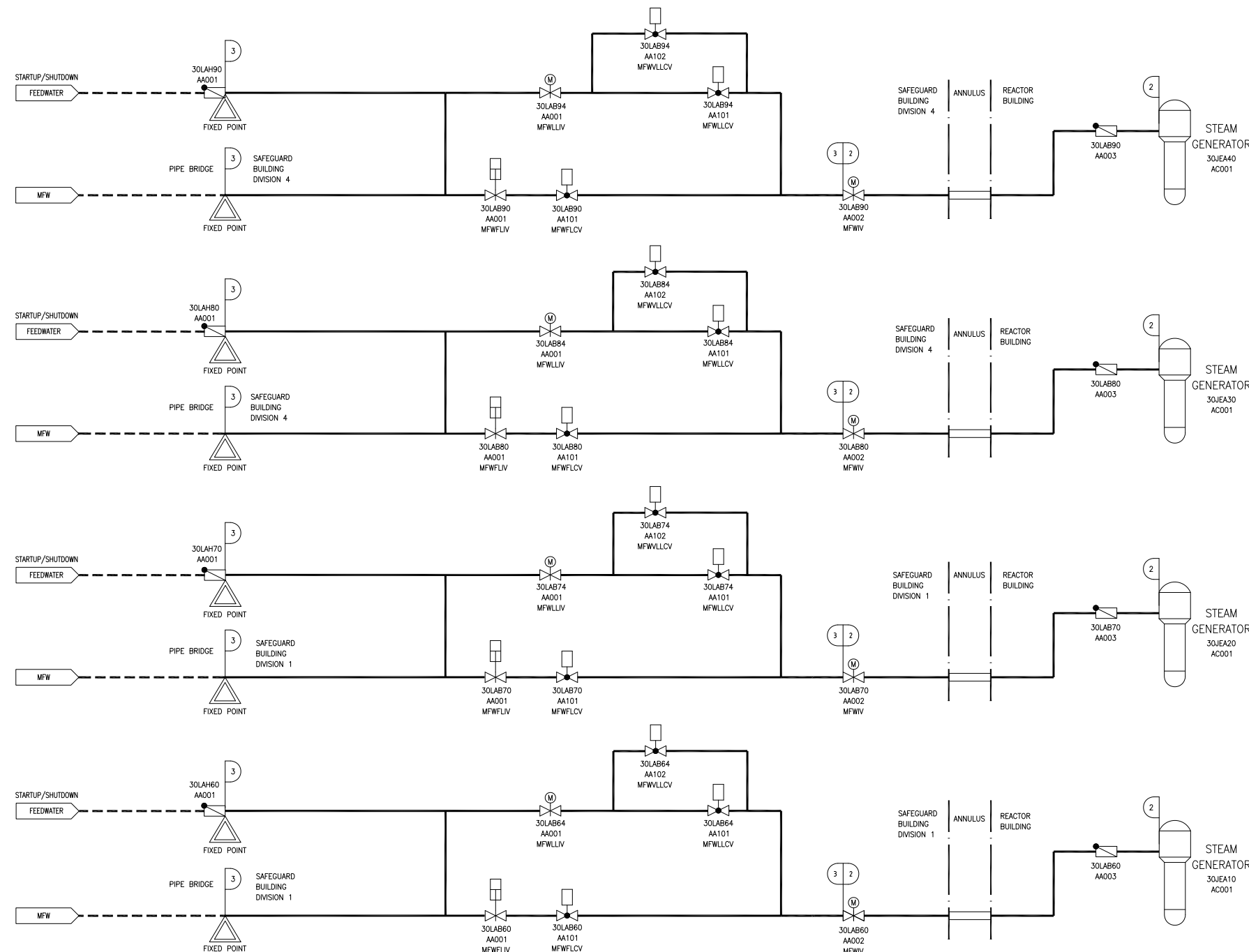


Figure 2.8.6-1—Main Feedwater System Functional Arrangement



3	3	1
2	2	1
DESIGN AREA	ASME III CLASS	SSC SEISMIC CLASS

REV 003
LAB01T1