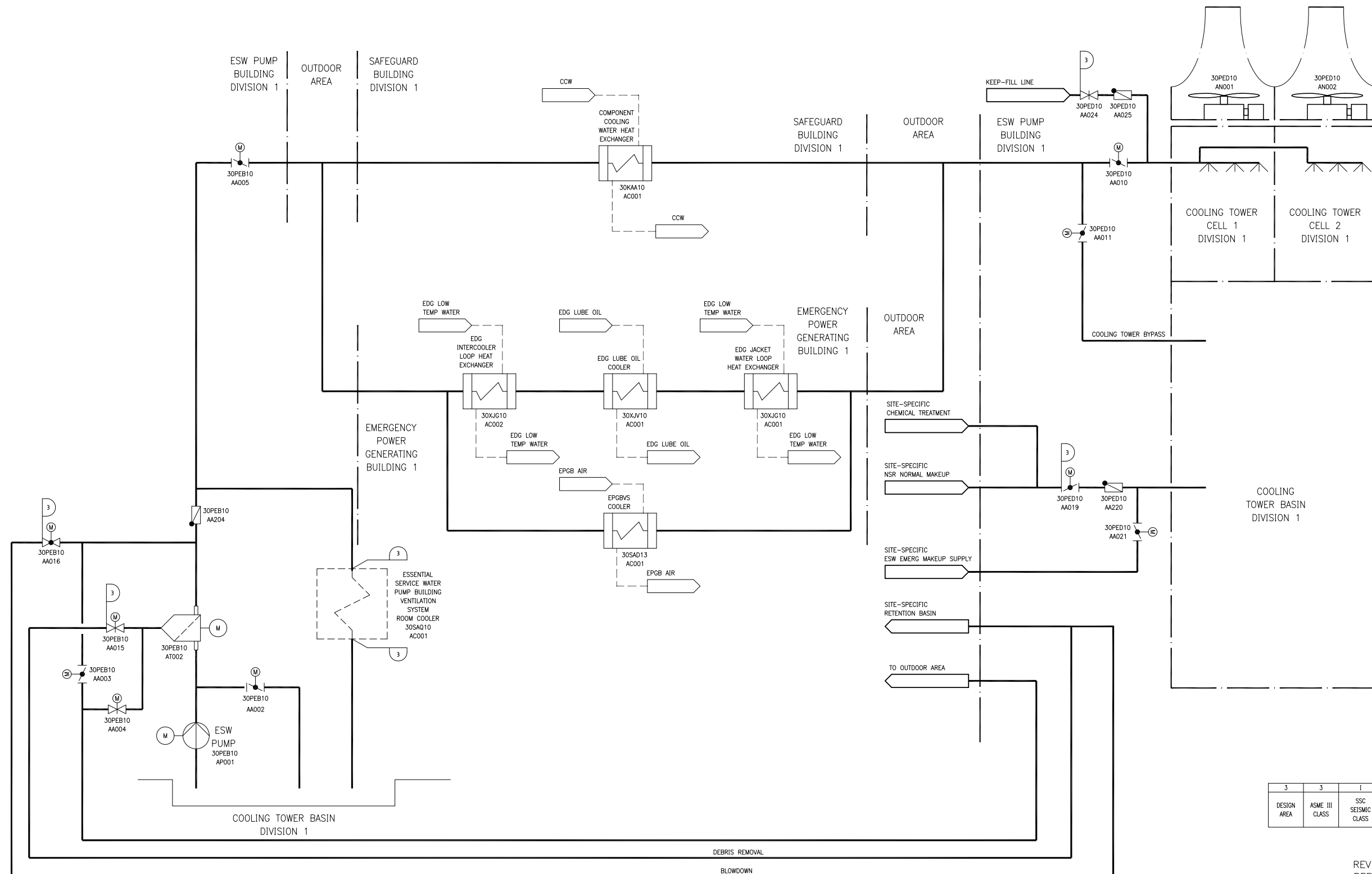
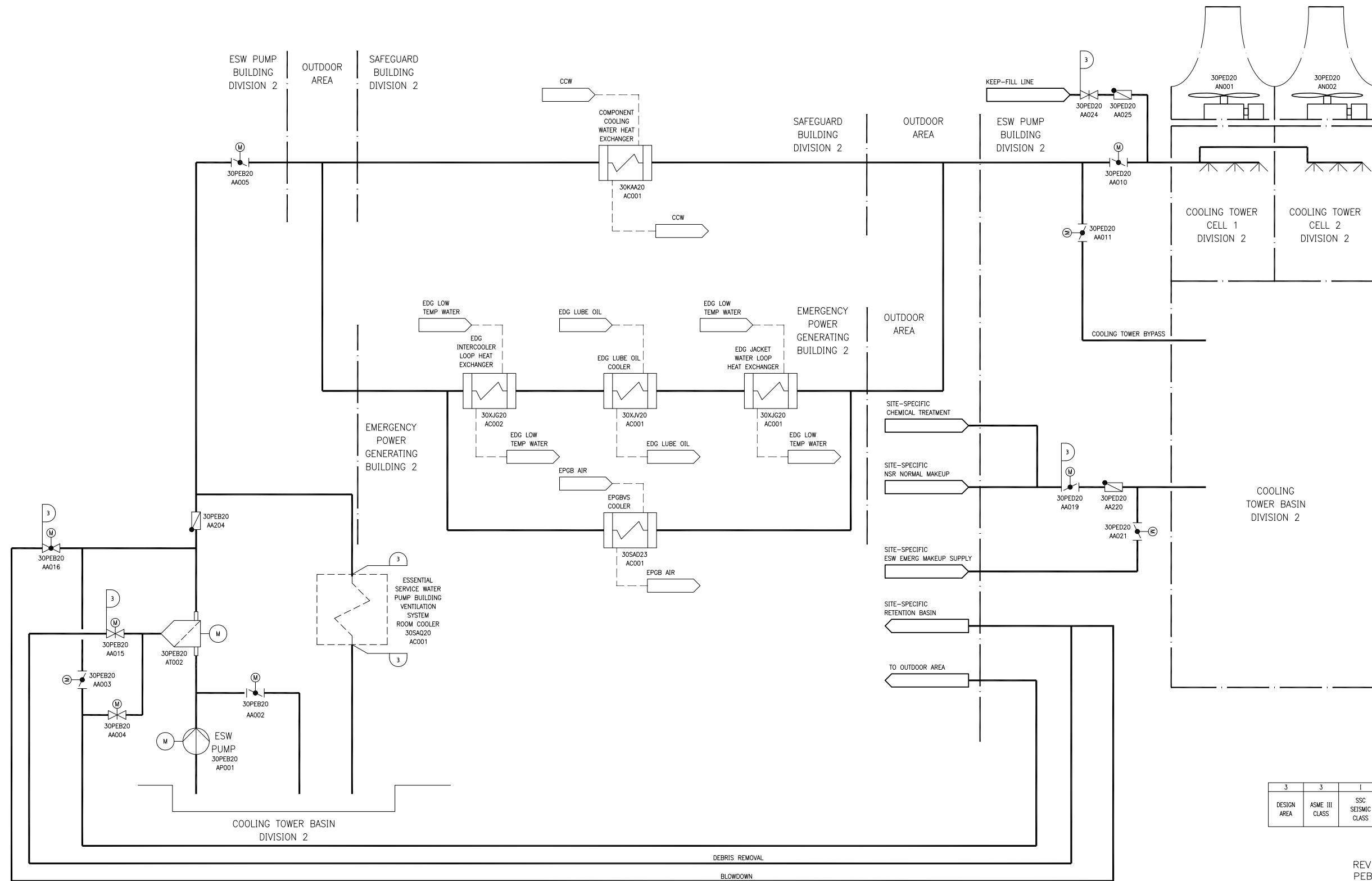


Figure 2.7.11-1—Essential Service Water System Functional Arrangement
Sheet 1 of 5



REV 005
PEB01T1

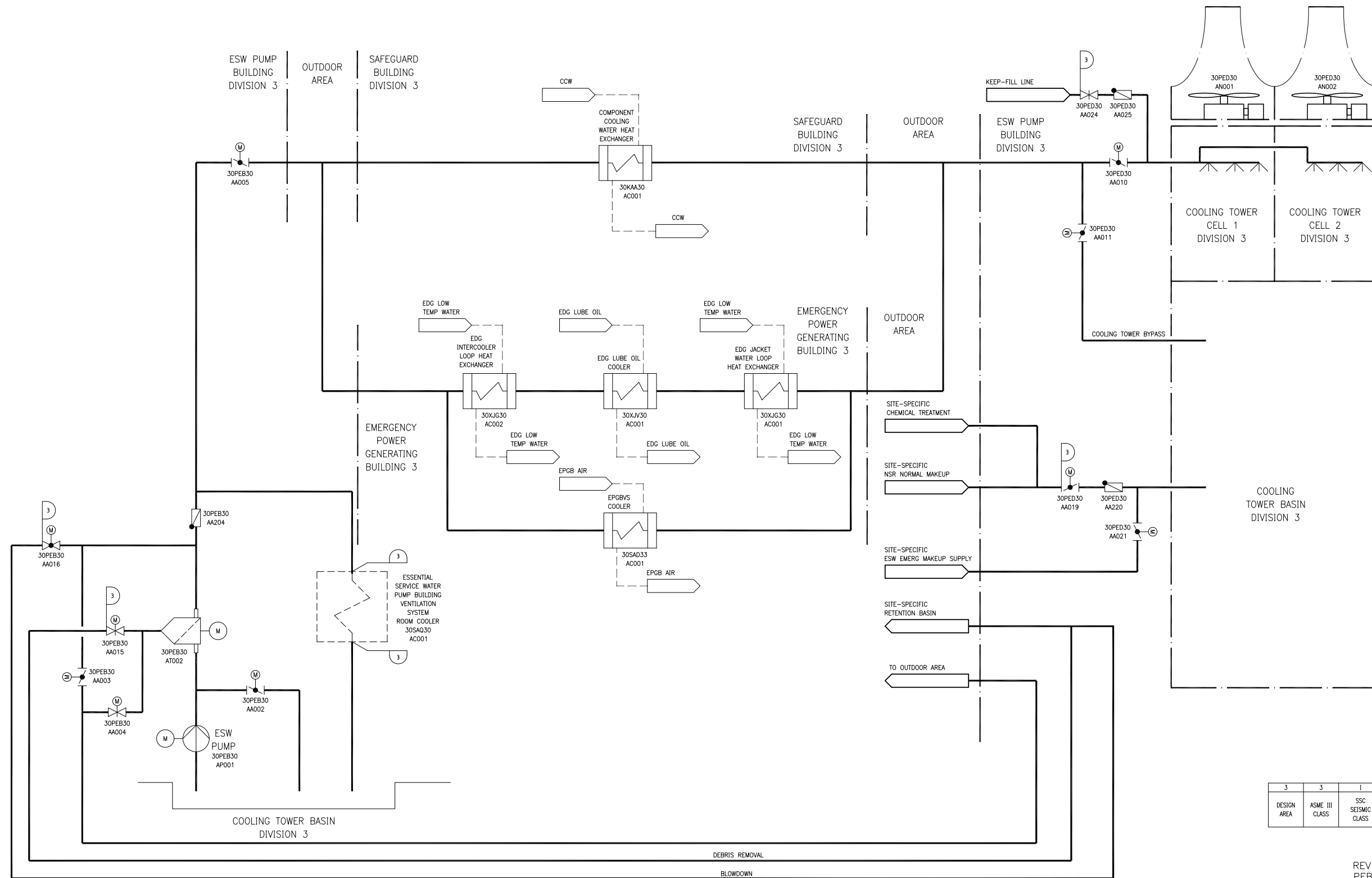
Figure 2.7.11-1—Essential Service Water System Functional Arrangement
Sheet 2 of 5



3	3	1
DESIGN AREA	ASME III CLASS	SSC SEISMIC CLASS

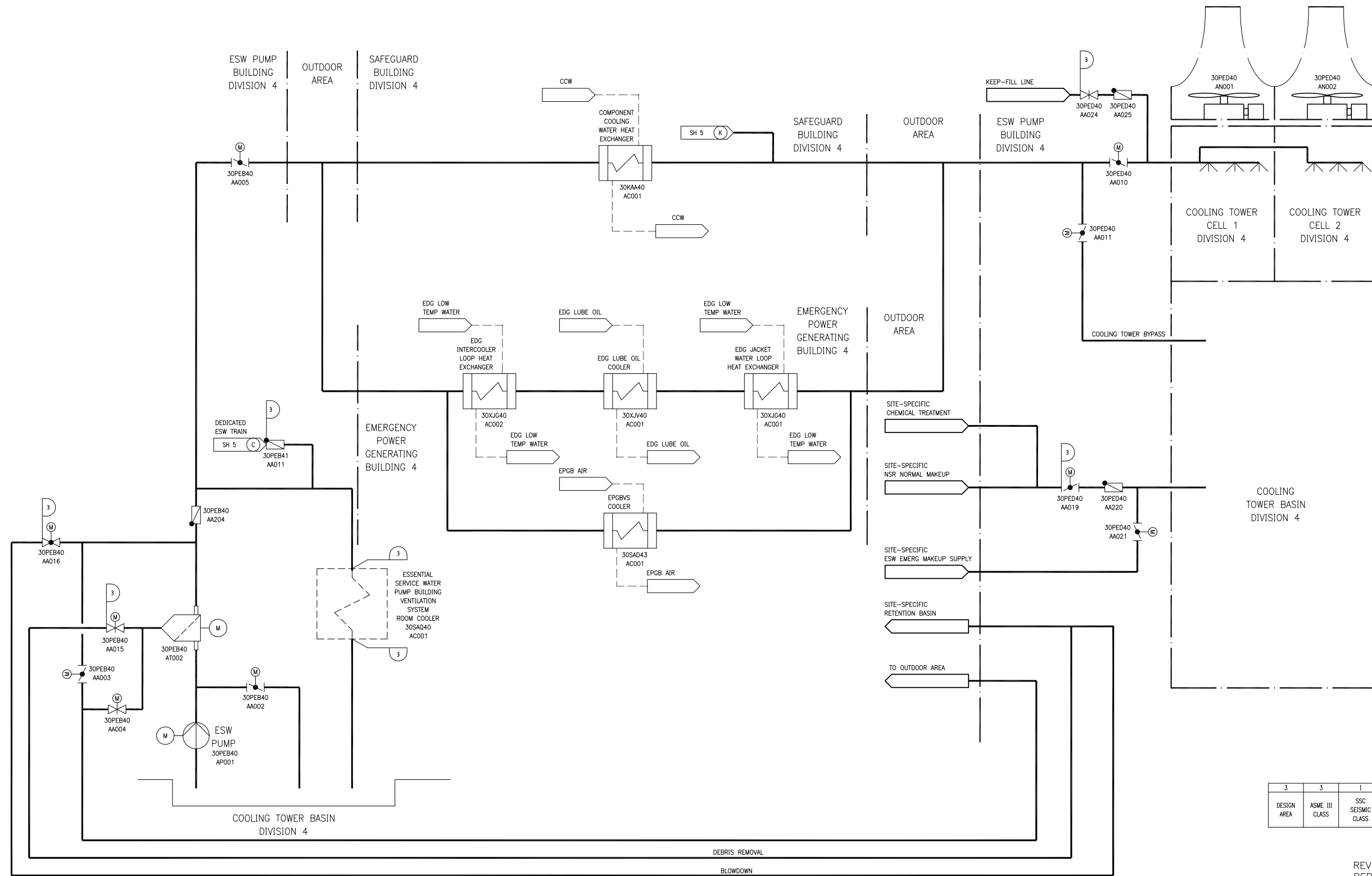
REV 005
PEB02T1

Figure 2.7.11-1—Essential Service Water System Functional Arrangement
Sheet 3 of 5



REV 005
PEB03T1

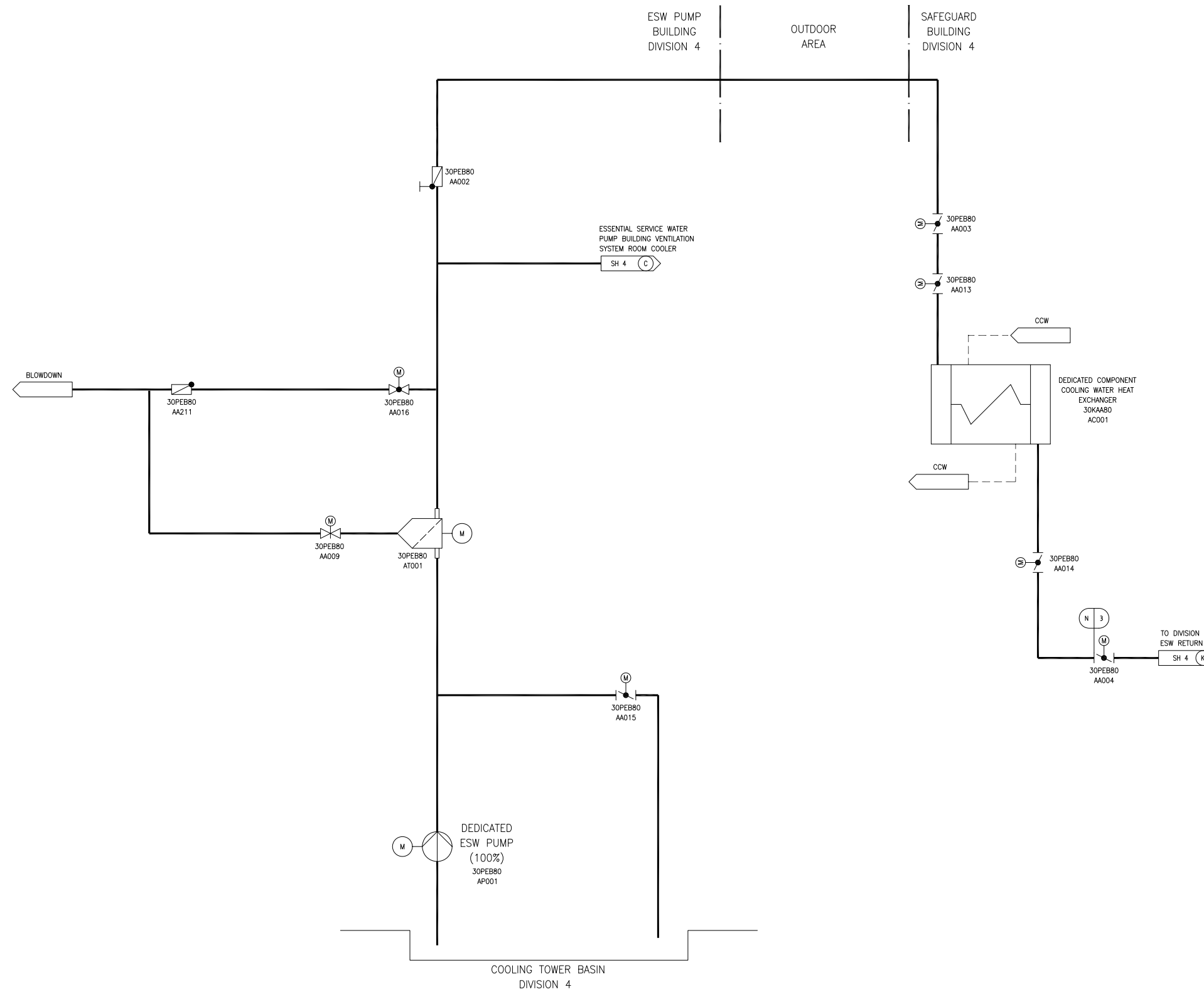
Figure 2.7.11-1—Essential Service Water System Functional Arrangement
Sheet 4 of 5



3	3	1
DESIGN AREA	ASME III CLASS	SSC SEISMIC CLASS

REV 005
PEB04T1

Figure 2.7.11-1—Essential Service Water System Functional Arrangement
Sheet 5 of 5



N 3	N/A 3	N/A 1
DESIGN AREA	ASME III CLASS	SSC SEISMIC CLASS

REV 005
PEB05 T1