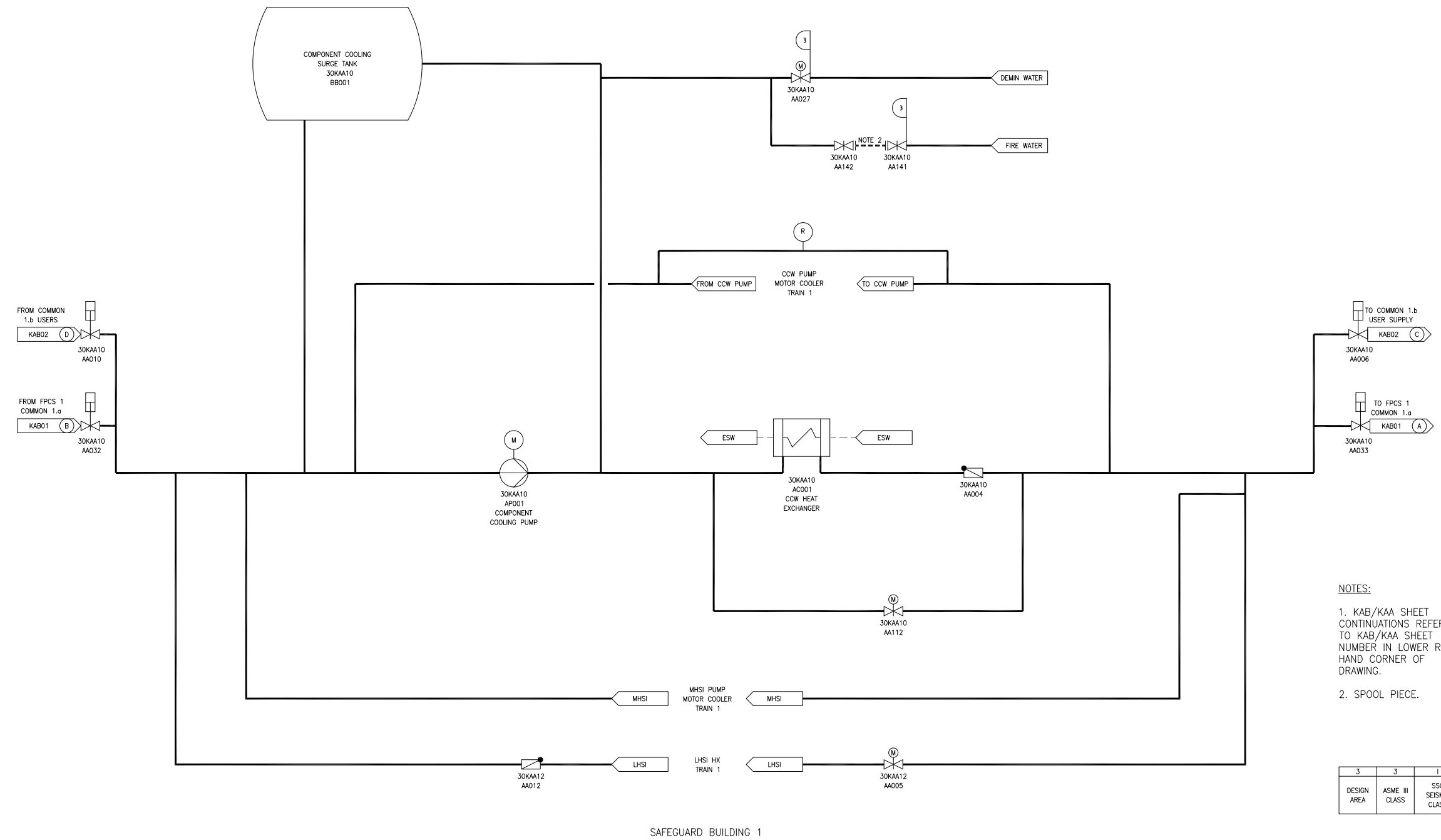


Figure 2.7.1-1—Component Cooling Water System Functional Arrangement
Sheet 1 of 11

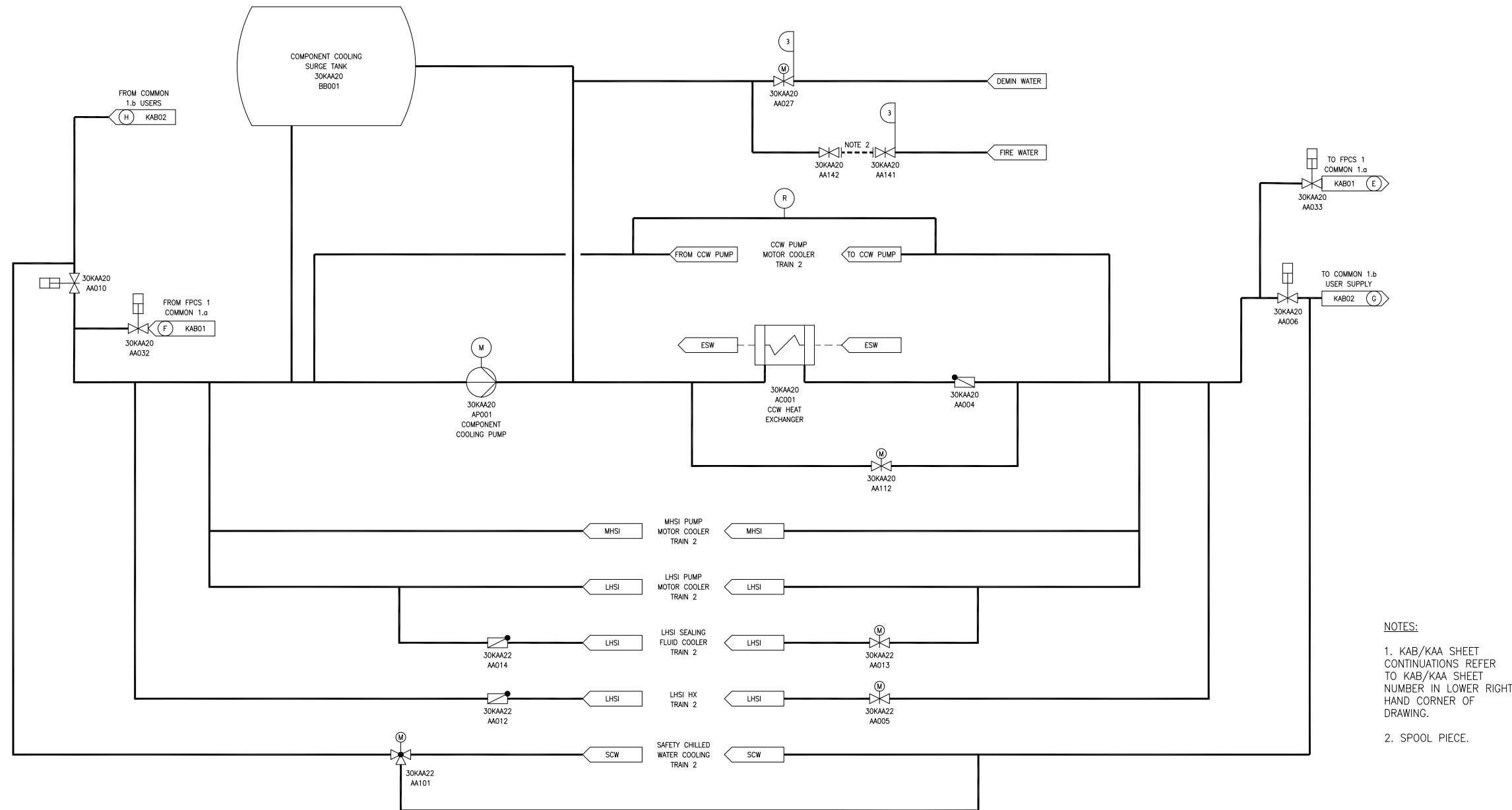


NOTES:
1. KAB/CAA SHEET CONTINUATIONS REFER TO KAB/CAA SHEET NUMBER IN LOWER RIGHT HAND CORNER OF DRAWING.
2. SPOOL PIECE.

3	3	1
DESIGN AREA	ASME III CLASS	SSC SEISMIC CLASS

REV 003
KAA0111

Figure 2.7.1-1—Component Cooling Water System Functional Arrangement
Sheet 2 of 11



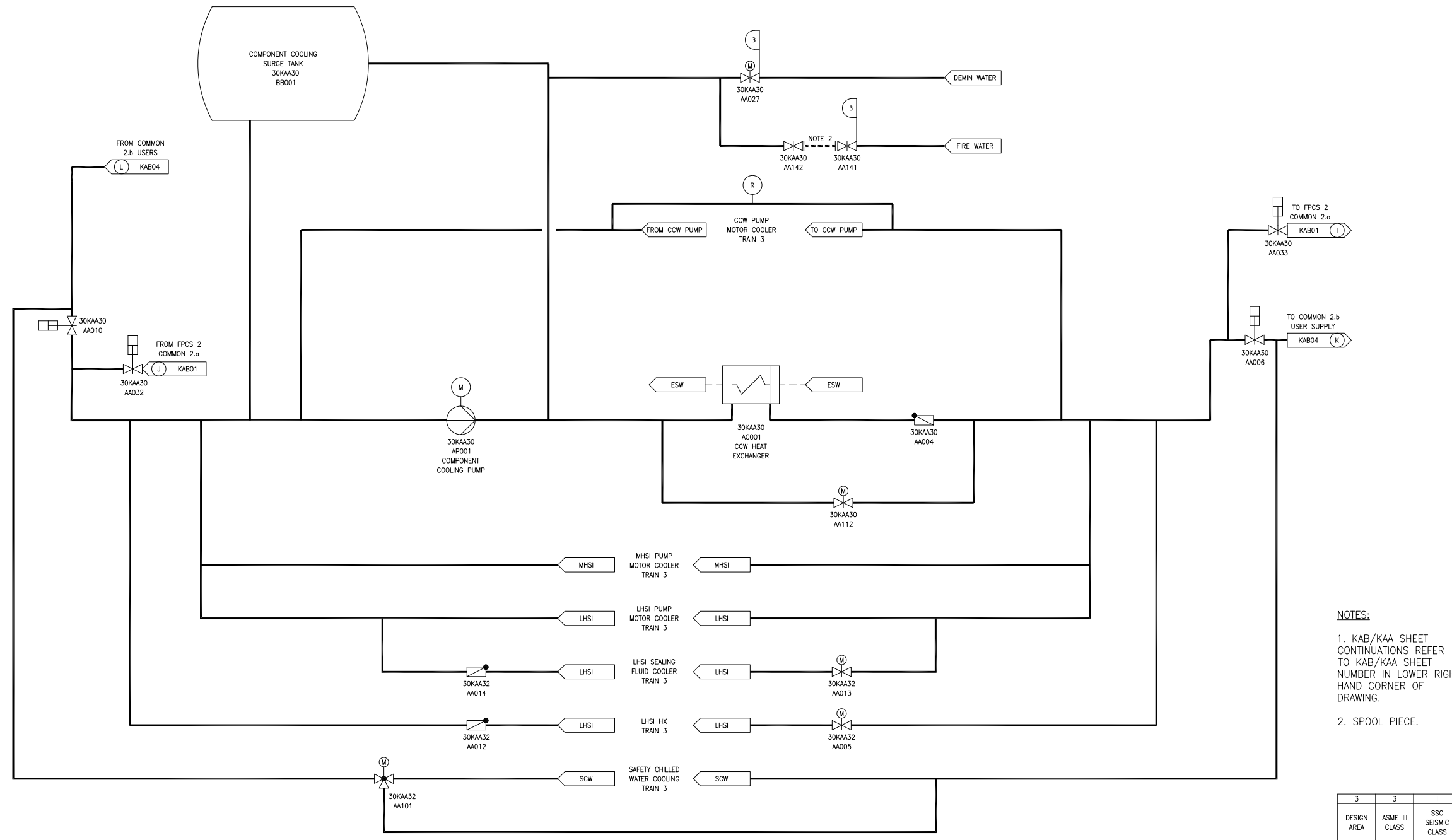
NOTES:
1. KAB/CAA SHEET CONTINUATIONS REFER TO KAB/CAA SHEET NUMBER IN LOWER RIGHT HAND CORNER OF DRAWING.
2. SPOOL PIECE.

3	3	1
DESIGN AREA	ASME III CLASS	SSC SEISMIC CLASS

SAFEGUARD BUILDING 2

REV 003
KAA02T1

Figure 2.7.1-1—Component Cooling Water System Functional Arrangement
Sheet 3 of 11



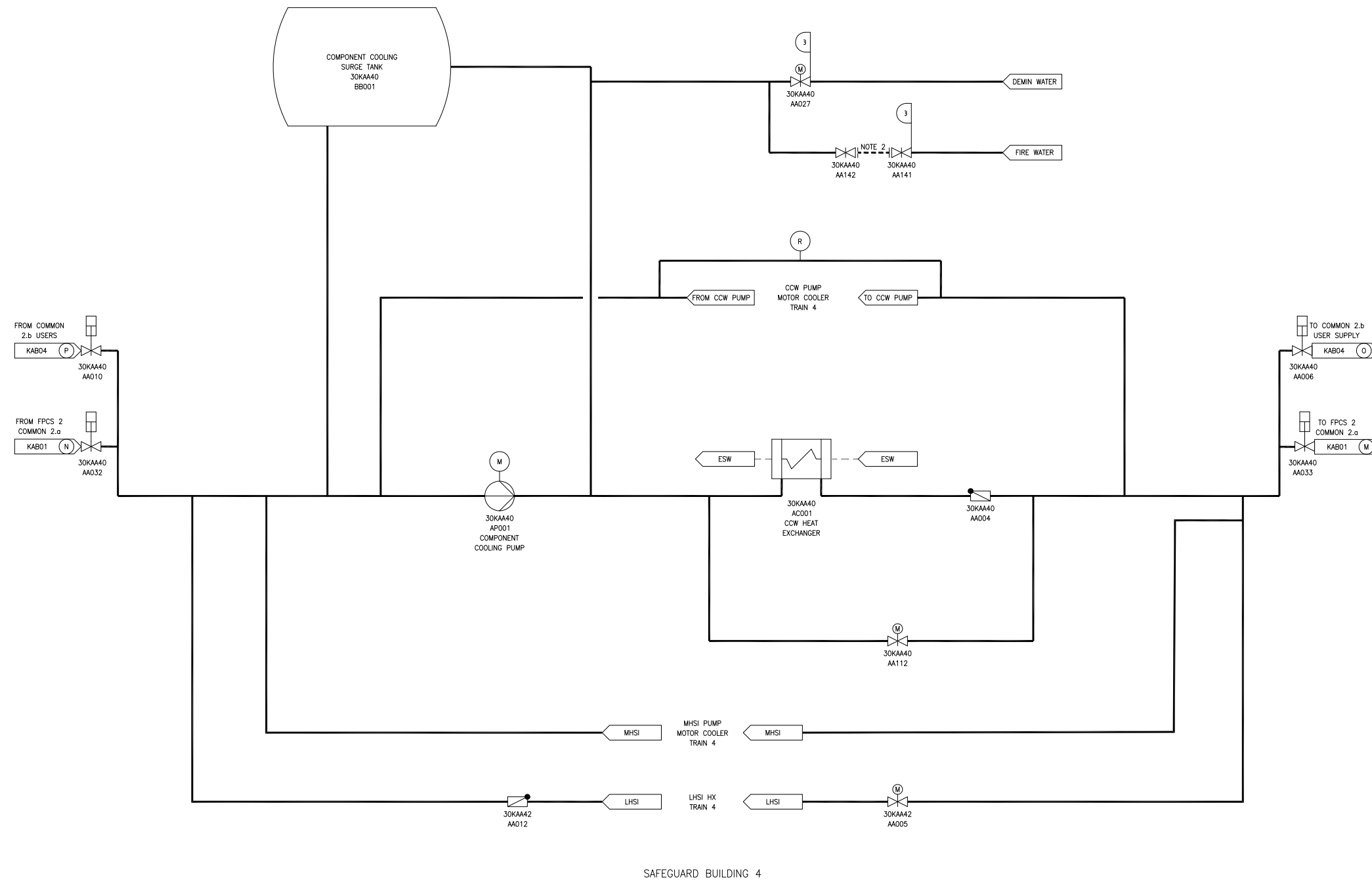
NOTES:
1. KAB/CAA SHEET CONTINUATIONS REFER TO KAB/CAA SHEET NUMBER IN LOWER RIGHT HAND CORNER OF DRAWING.
2. SPOOL PIECE.

3	3	1
DESIGN AREA	ASME III CLASS	SSC SEISMIC CLASS

SAFEGUARD BUILDING 3

REV 003
KAA03T1

Figure 2.7.1-1—Component Cooling Water System Functional Arrangement
Sheet 4 of 11

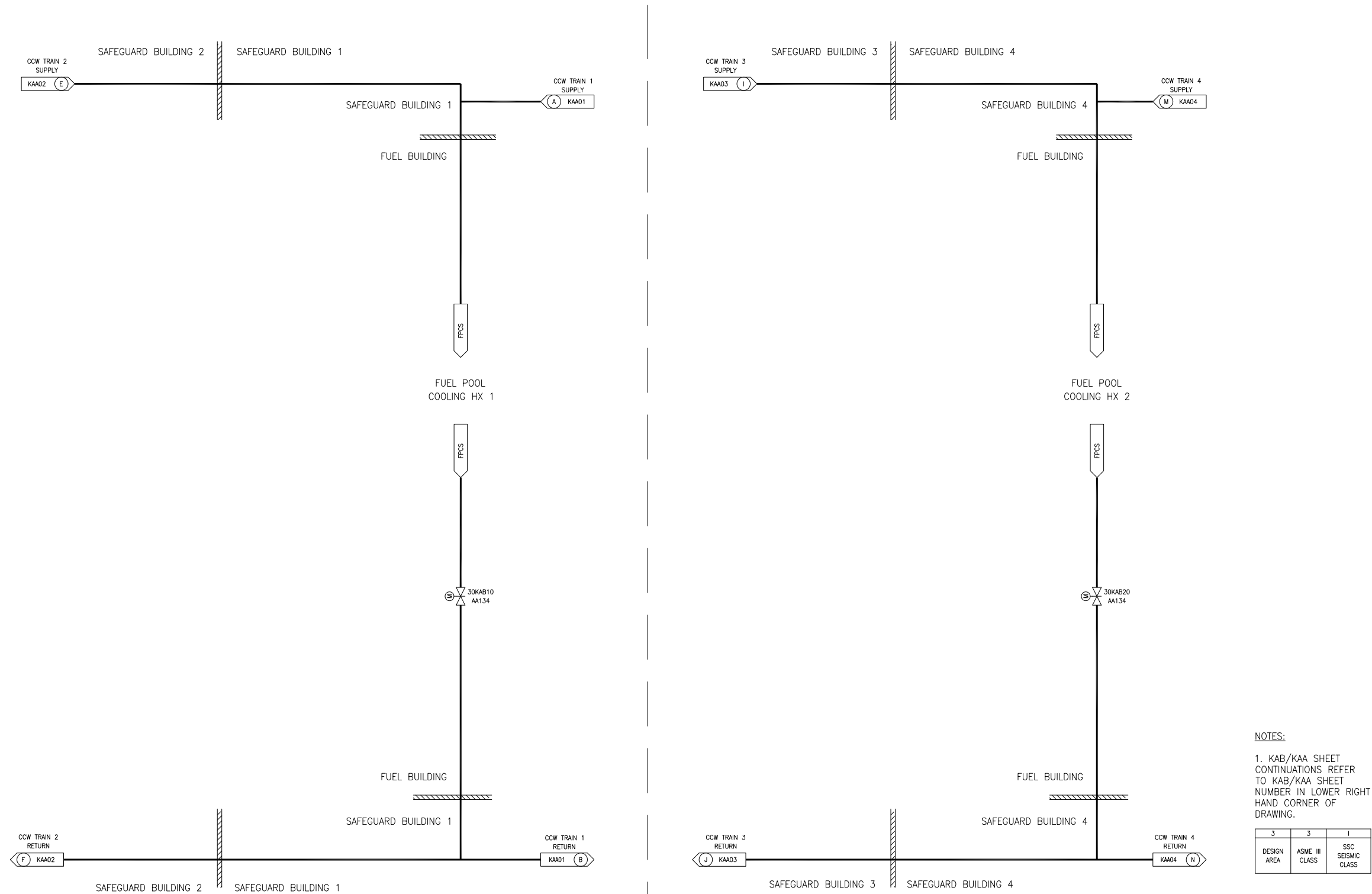


NOTES:
1. KAB/CAA SHEET CONTINUATIONS REFER TO KAB/CAA SHEET NUMBER IN LOWER RIGHT HAND CORNER OF DRAWING.
2. SPOOL PIECE.

3	3	1
DESIGN AREA	ASME III CLASS	SSC SEISMIC CLASS

REV 003
KAA04T1

Figure 2.7.1-1—Component Cooling Water System Functional Arrangement
Sheet 5 of 11

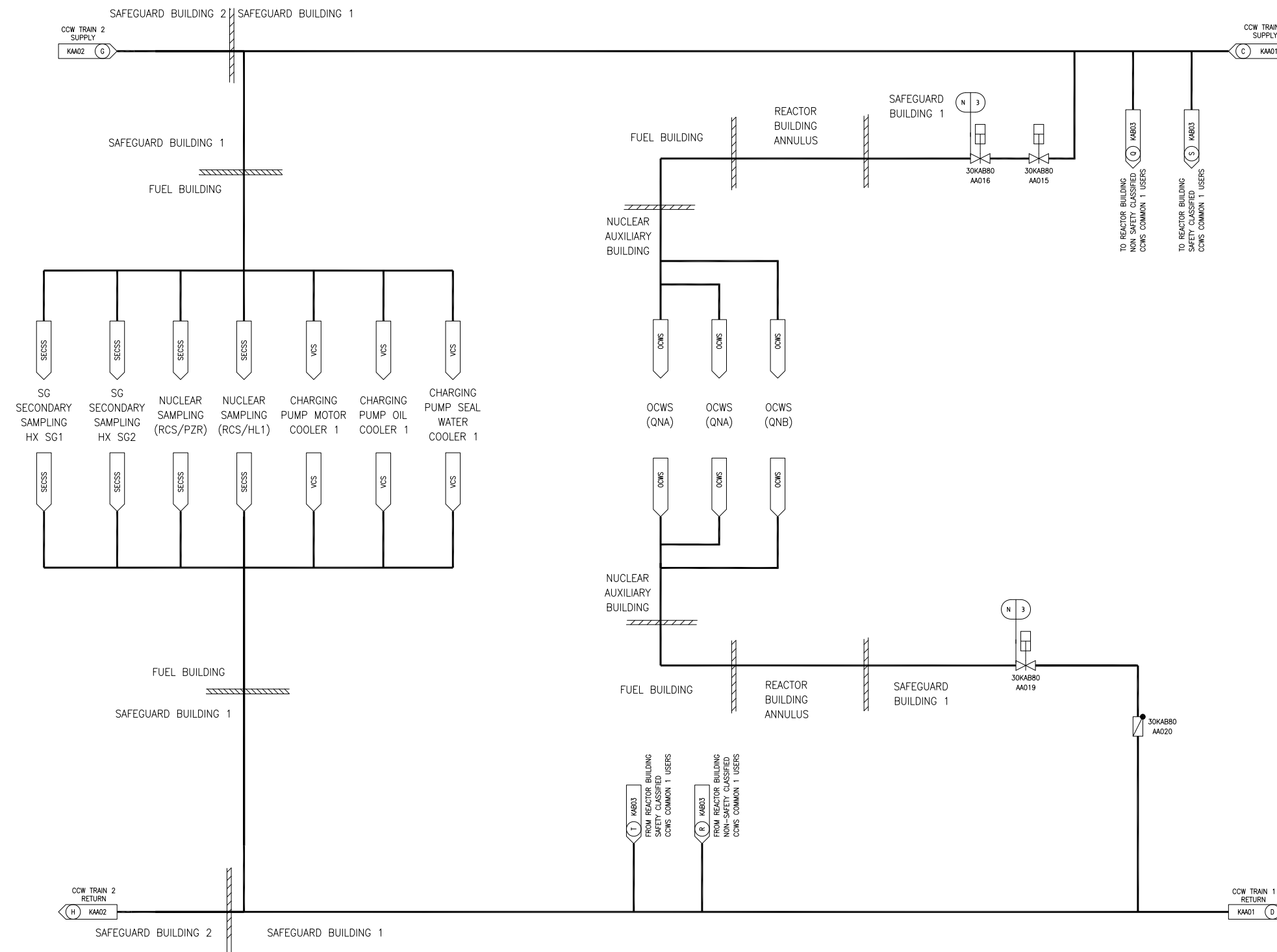


NOTES:
1. KAB/KAA SHEET CONTINUATIONS REFER TO KAB/KAA SHEET NUMBER IN LOWER RIGHT HAND CORNER OF DRAWING.

3	3	1
DESIGN AREA	ASME III CLASS	SSC SEISMIC CLASS

REV 003
KAB01T1

Figure 2.7.1-1—Component Cooling Water System Functional Arrangement
Sheet 6 of 11



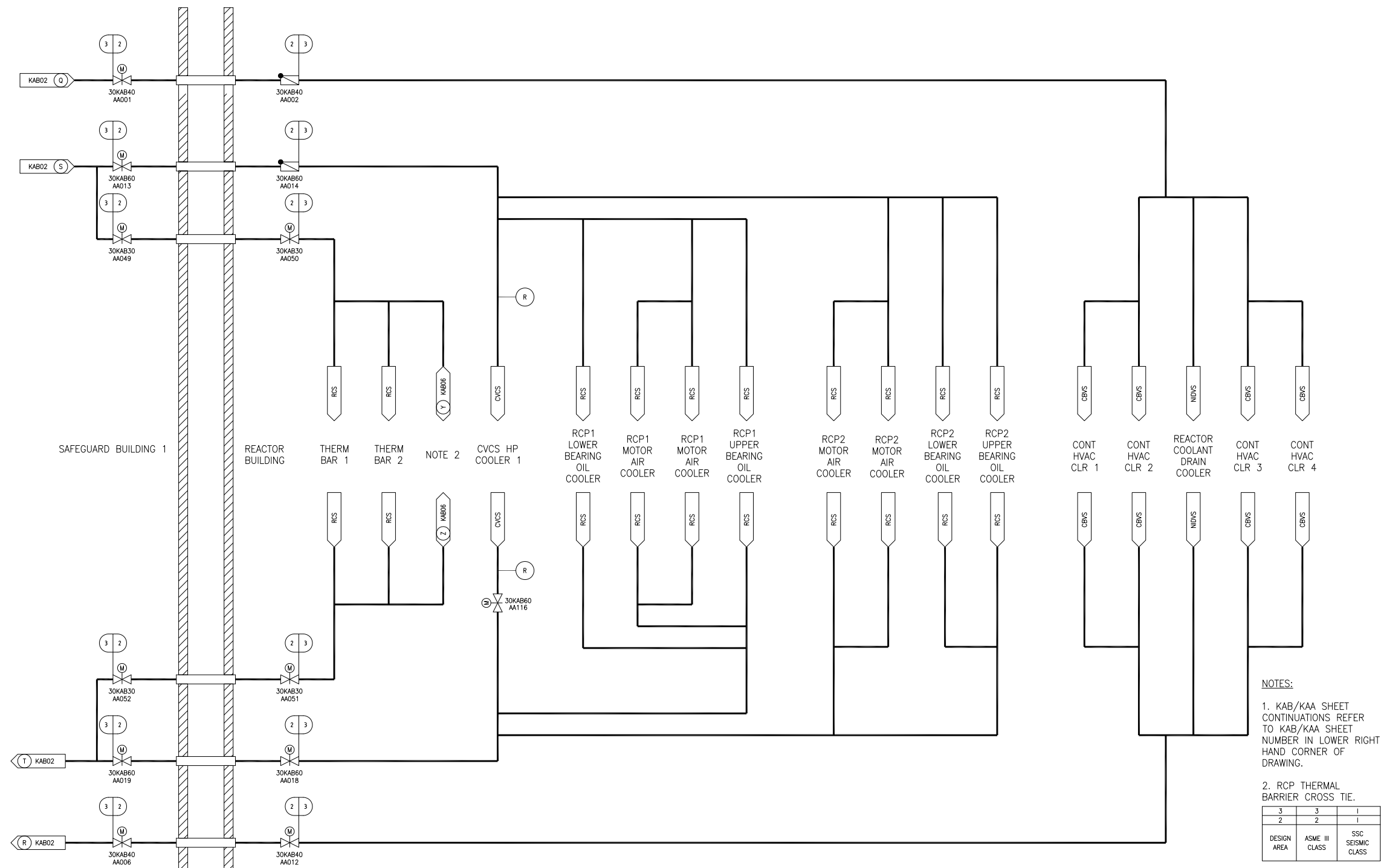
NOTES:

1. KAB/KAA SHEET CONTINUATIONS REFER TO KAB/KAA SHEET NUMBER IN LOWER RIGHT HAND CORNER OF DRAWING.

N 3	N/A 3	N/A 1
DESIGN AREA	ASME III CLASS	SSC SEISMIC CLASS

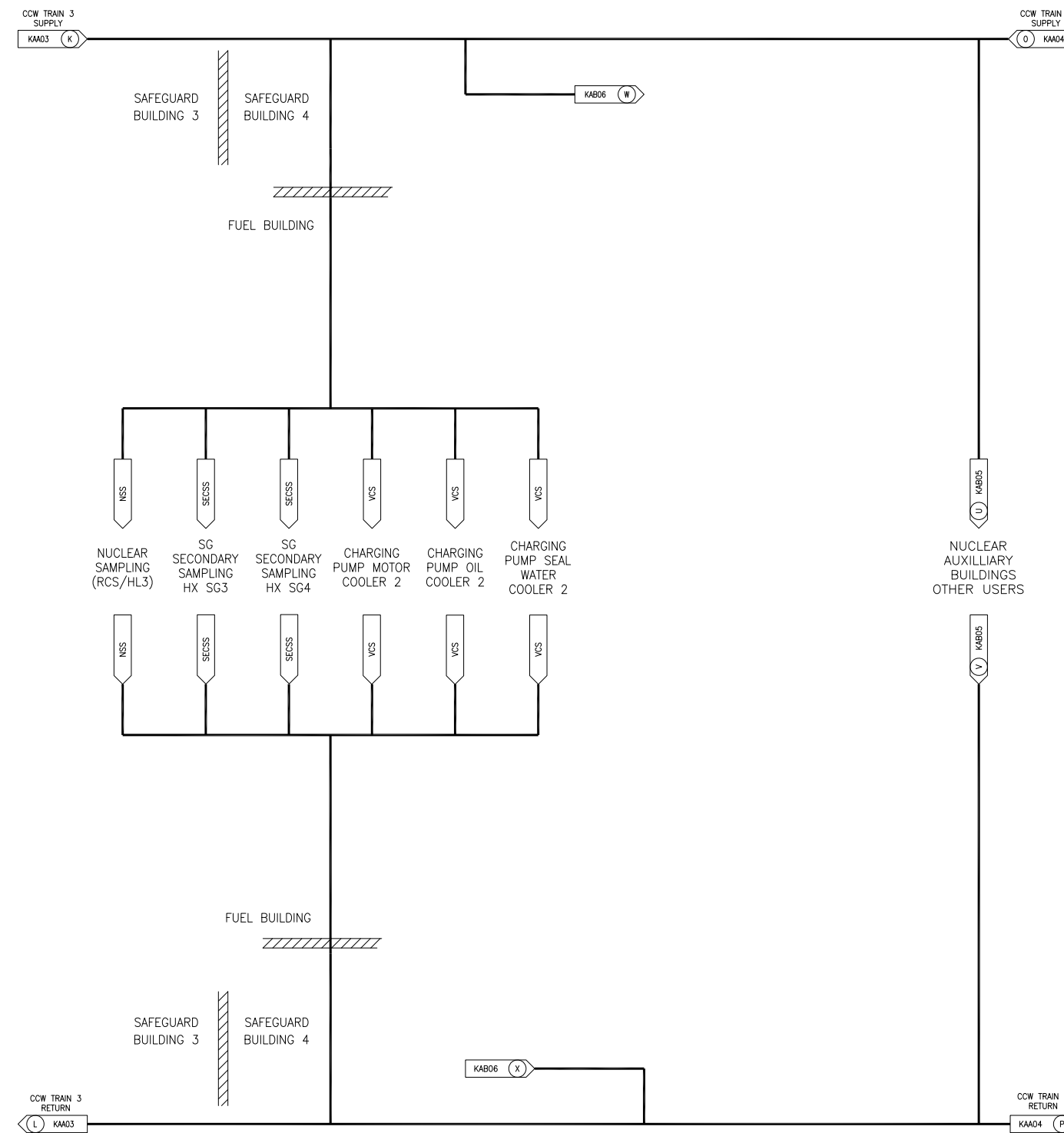
REV 002
KAB02T1

Figure 2.7.1-1—Component Cooling Water System Functional Arrangement
Sheet 7 of 11



REV 003
KAB03T1

Figure 2.7.1-1—Component Cooling Water System Functional Arrangement
Sheet 8 of 11



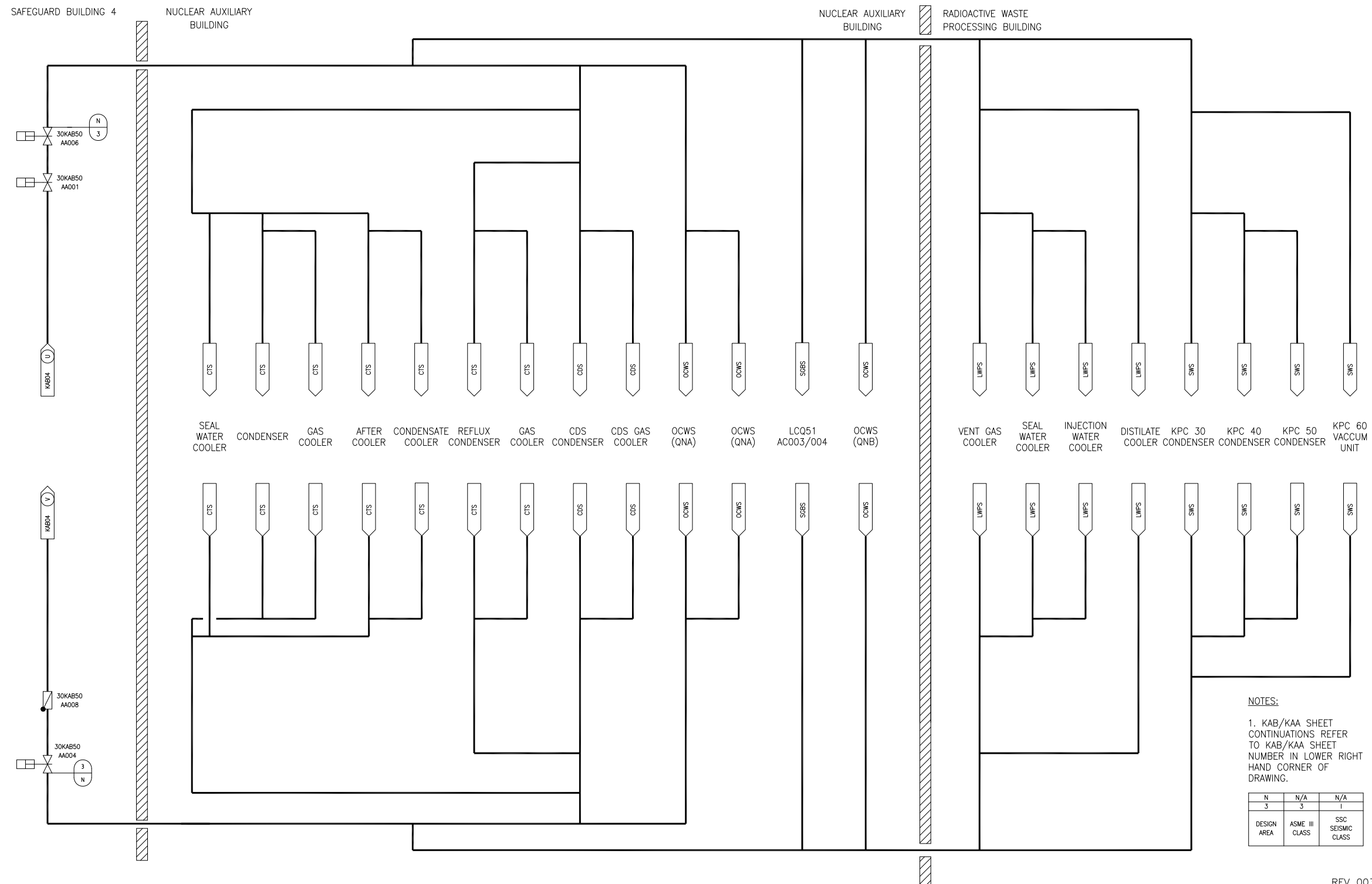
NOTES:

1. KAB/CAA SHEET CONTINUATIONS REFER TO KAB/CAA SHEET NUMBER IN LOWER RIGHT HAND CORNER OF DRAWING.
2. RCP THERMAL BARRIER CROSS TIE.

3	3	1
DESIGN AREA	ASME III CLASS	SSC SEISMIC CLASS

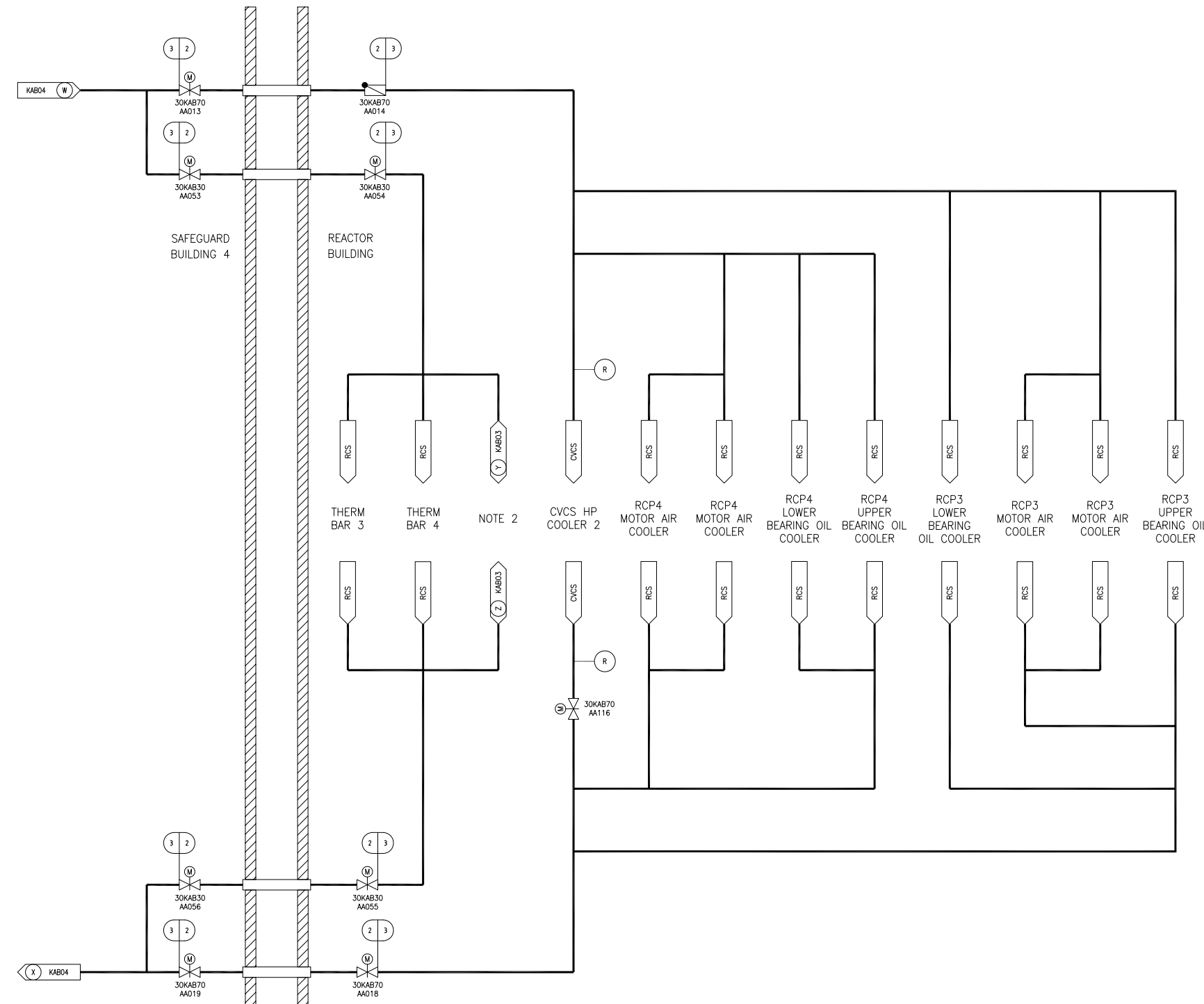
REV 002
KAB04T1

Figure 2.7.1-1—Component Cooling Water System Functional Arrangement
Sheet 9 of 11



REV 003
KAB05T1

Figure 2.7.1-1—Component Cooling Water System Functional Arrangement
Sheet 10 of 11



NOTES:

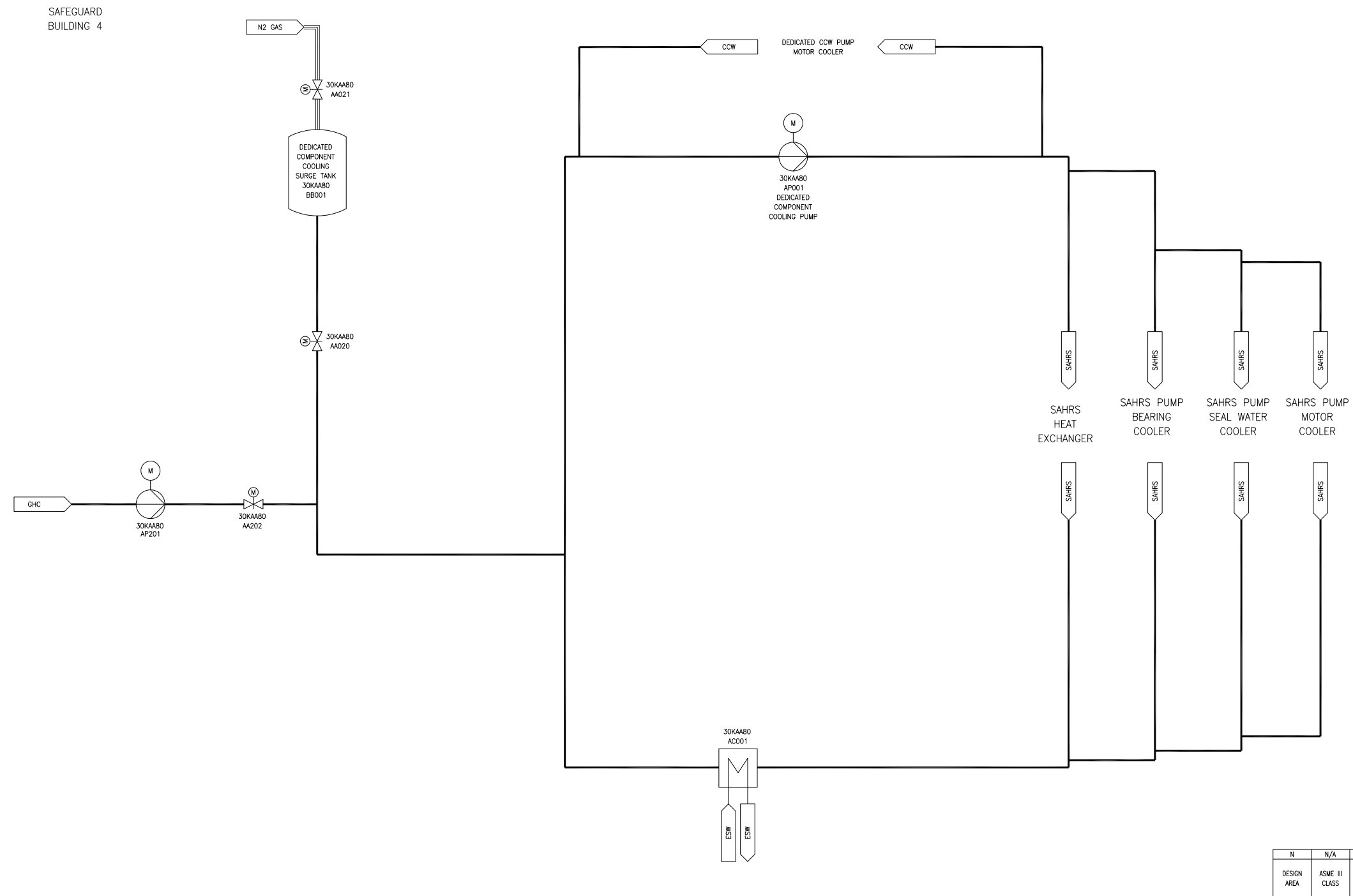
1. KAB/CAA SHEET CONTINUATIONS REFER TO KAB/CAA SHEET NUMBER IN LOWER RIGHT HAND CORNER OF DRAWING.

2. RCP THERMAL BARRIER CROSS TIE.

3	3	1
2	2	1
DESIGN AREA	ASME III CLASS	SSC SEISMIC CLASS

REV 003
KAB06T1

Figure 2.7.1-1—Component Cooling Water System Functional Arrangement
Sheet 11 of 11



REV 002
KAA05T1