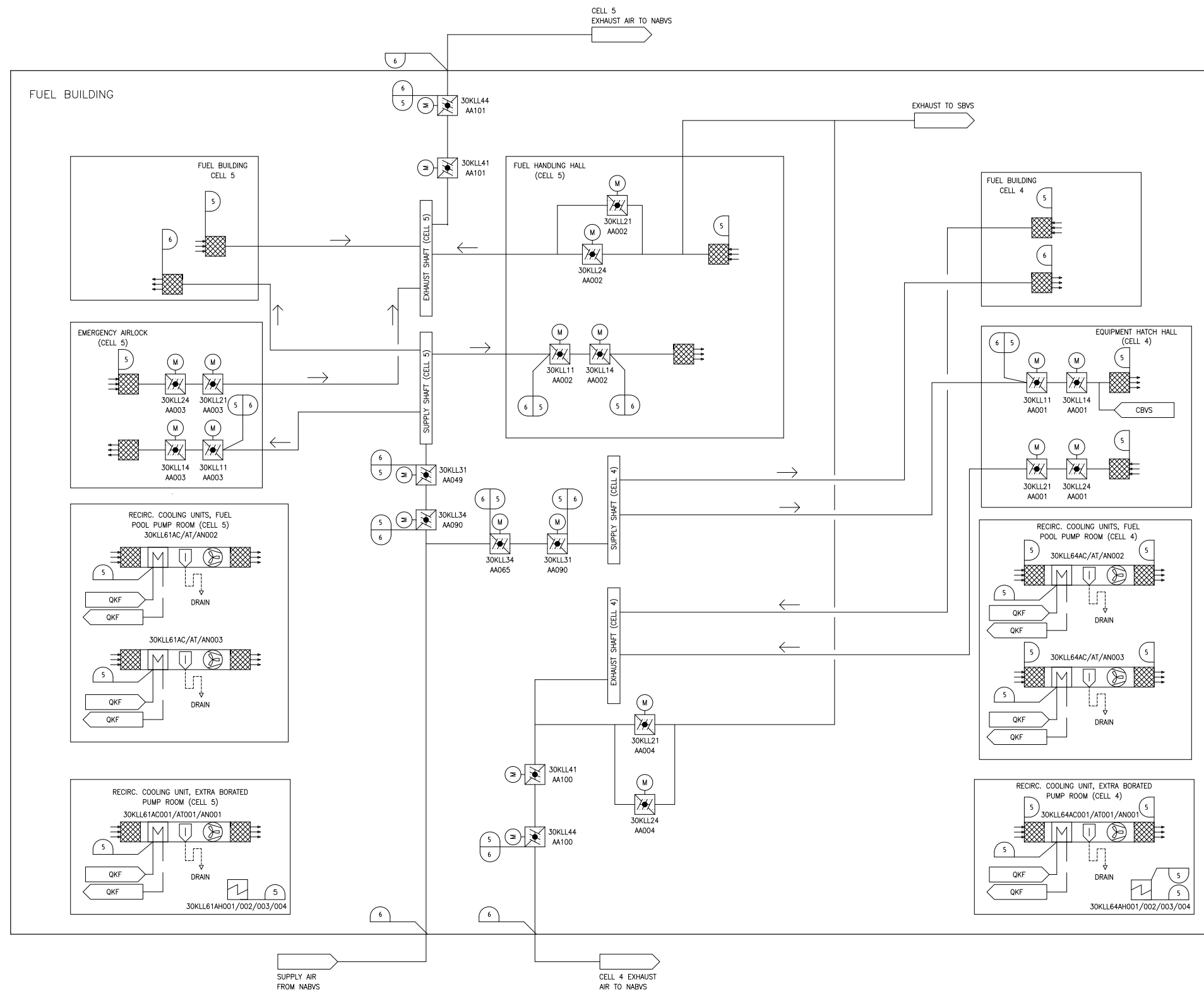


Figure 2.6.4-1—Fuel Building Ventilation System Functional Arrangement



6	AG-1	I I
5	AG-1	I
DESIGN AREA	ASME	SSC SEISMIC CLASS

REV 005
KLL01T1