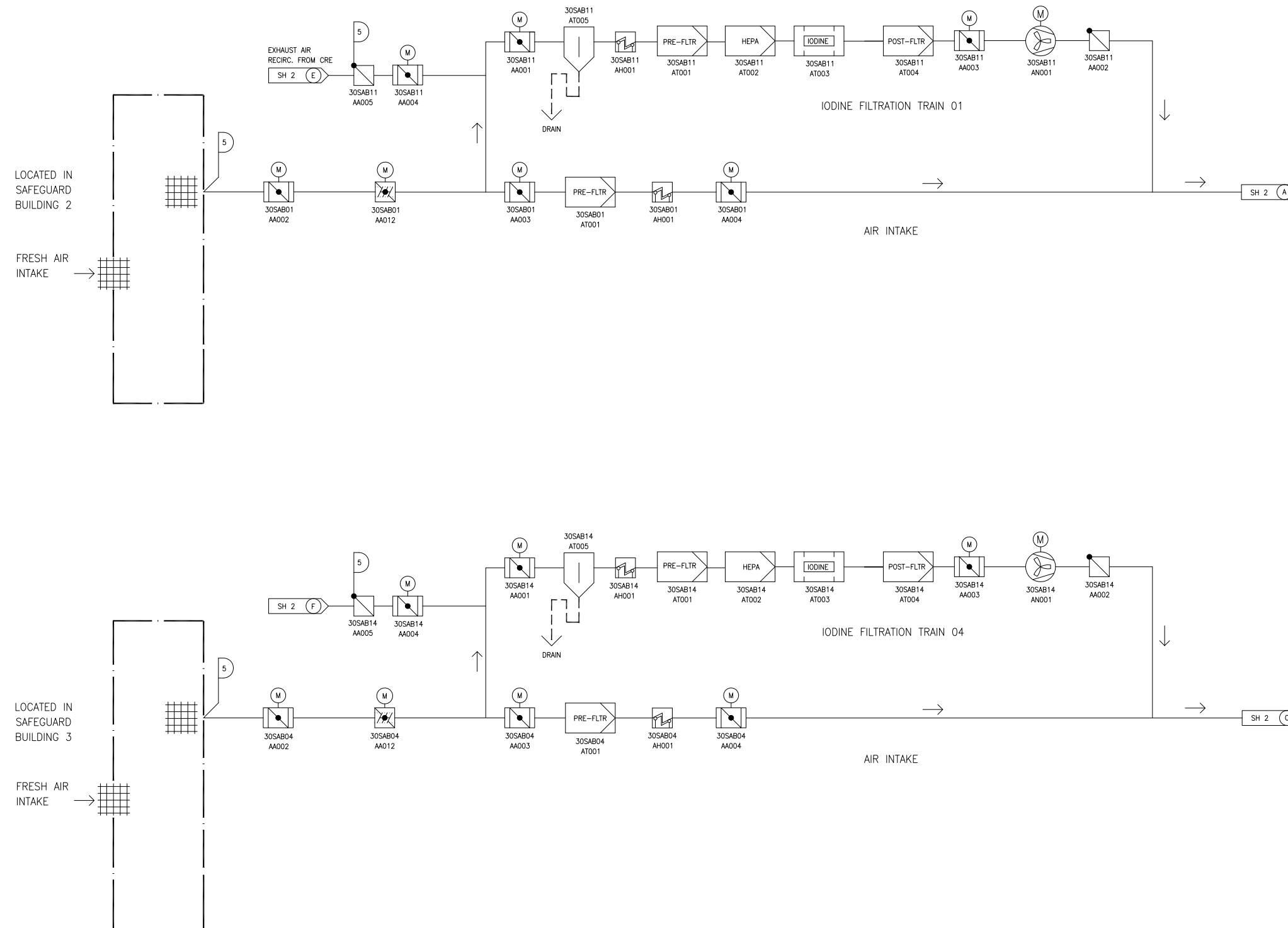


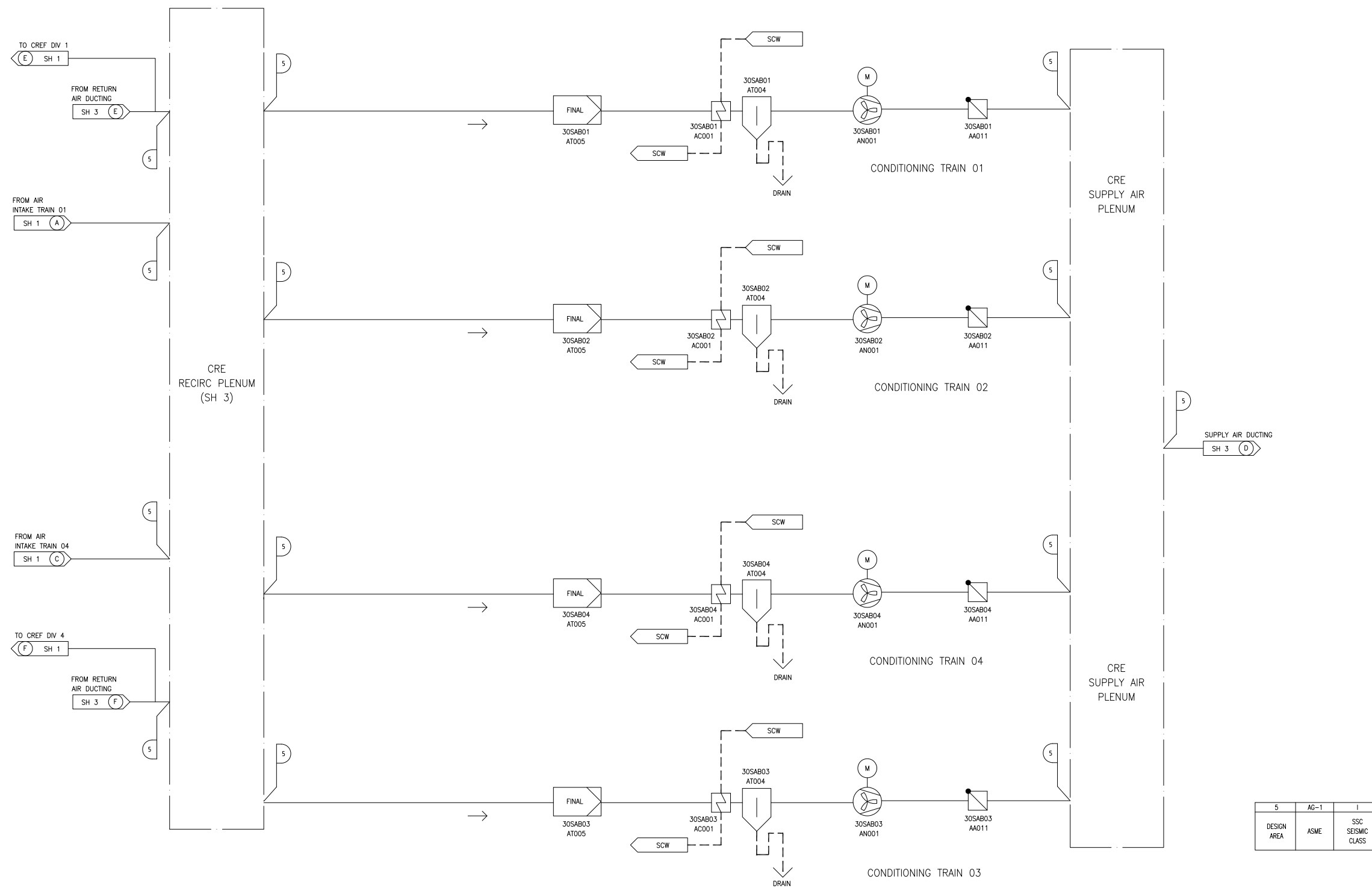
Figure 2.6.1-1—Control Room Air Intake and CREF (Iodine Filtration) Train Subsystem Functional Arrangement



5	AG-1	I
DESIGN AREA	ASME	SSC SEISMIC CLASS

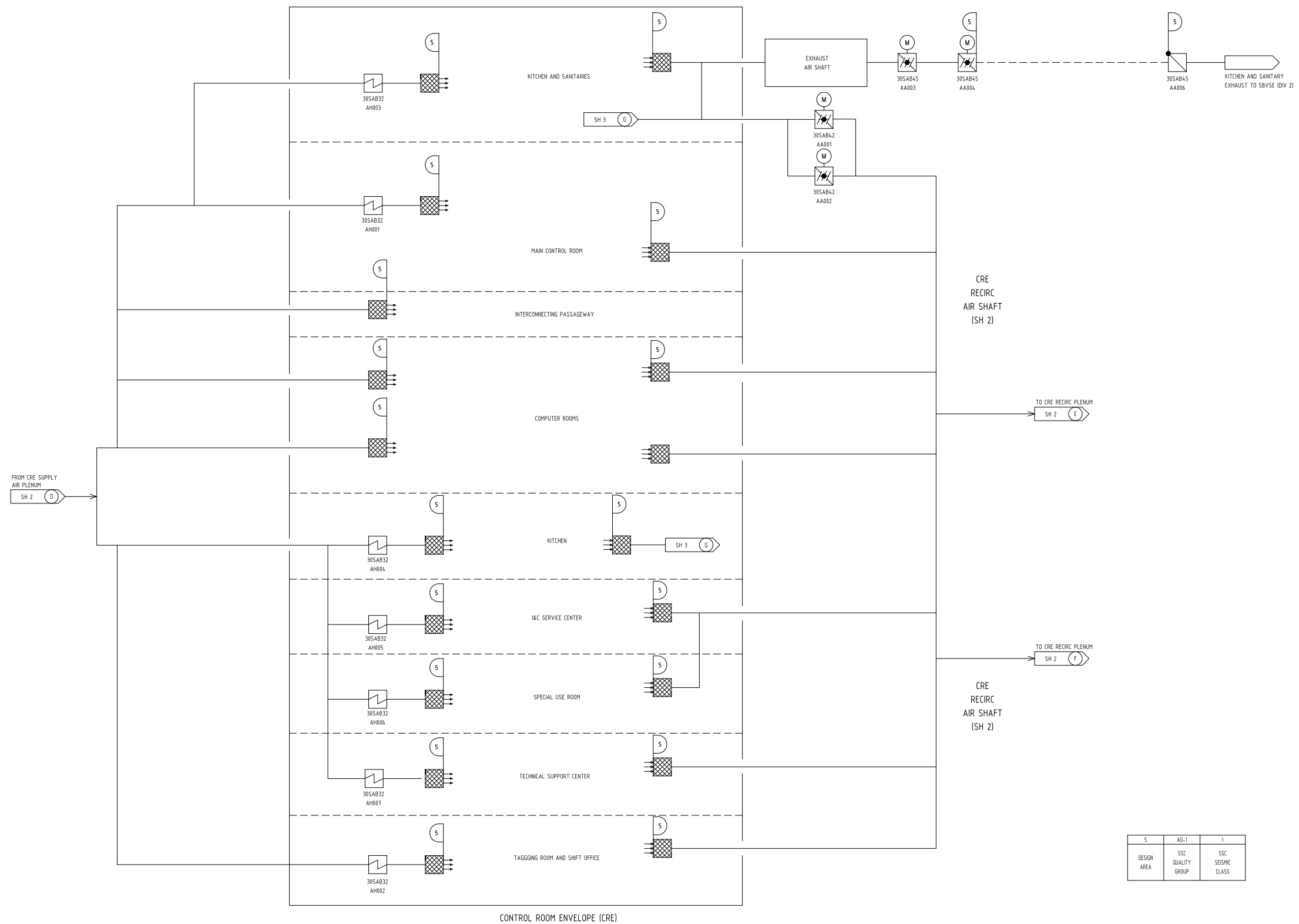
REV 005
SAB01T1

Figure 2.6.1-2—Control Room Air Conditioning and Recirculation Air Handling Subsystem Functional Arrangement



REV 005
SAB02T1

Figure 2.6.1-3—CRE Air Supply and Recirculation Subsystem Functional Arrangement



S	AG-1	I
DESIGN AREA	SSC QUALITY GROUP	SSC SEISMIC CLASS

REV 005
SAB03T1