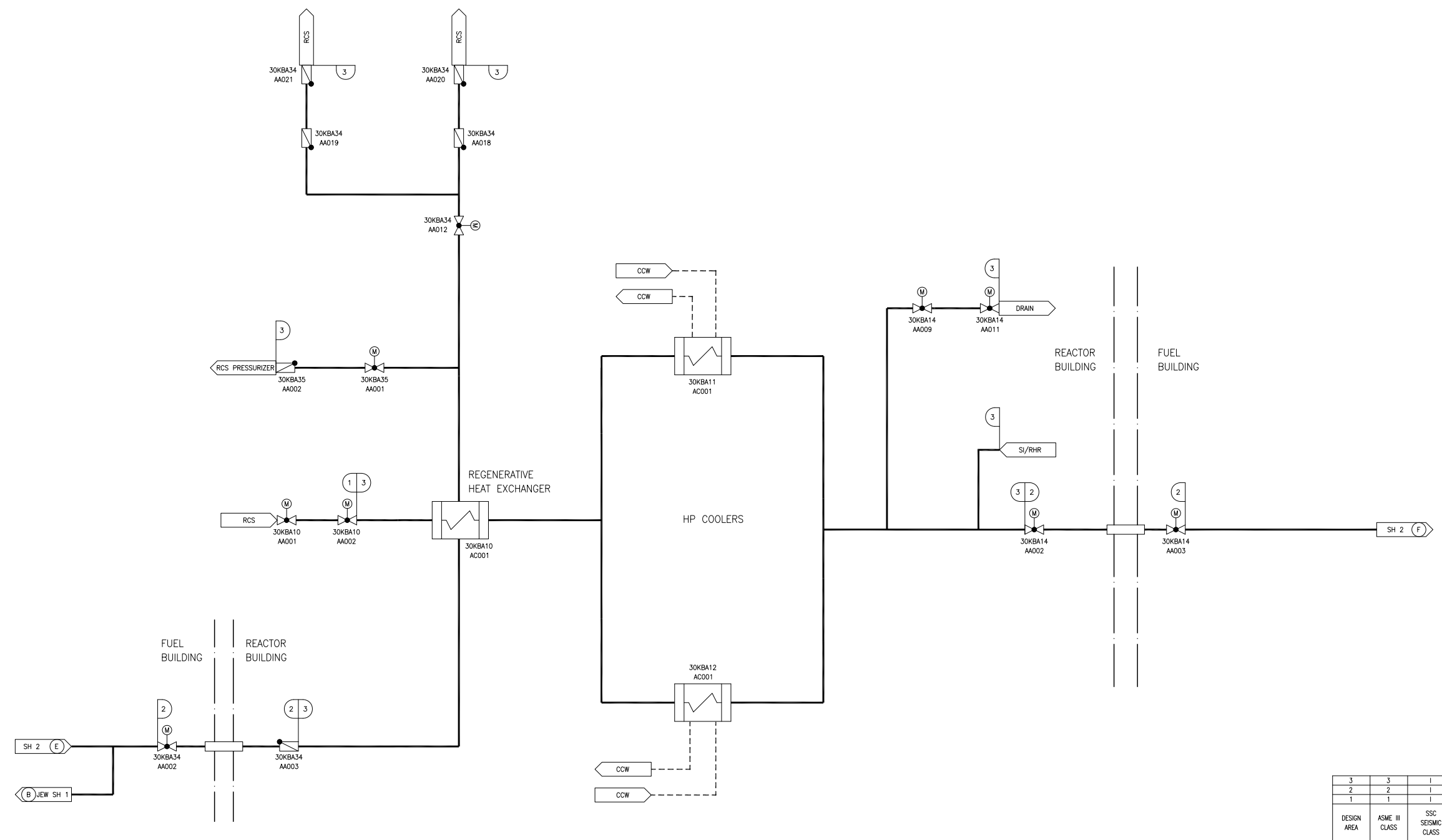
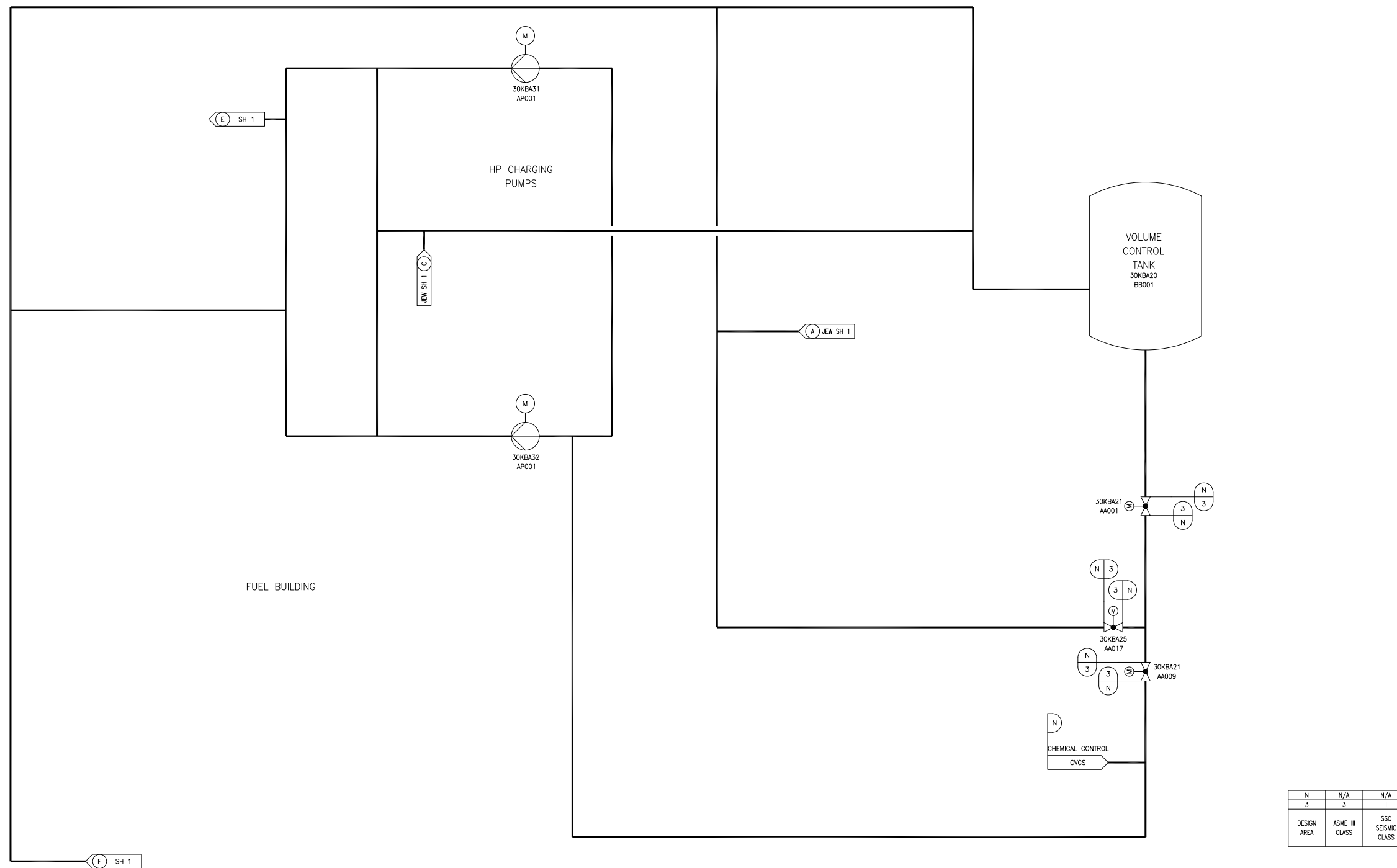


Figure 2.2.6-1—Chemical and Volume Control System Functional Arrangement  
Sheet 1 of 3



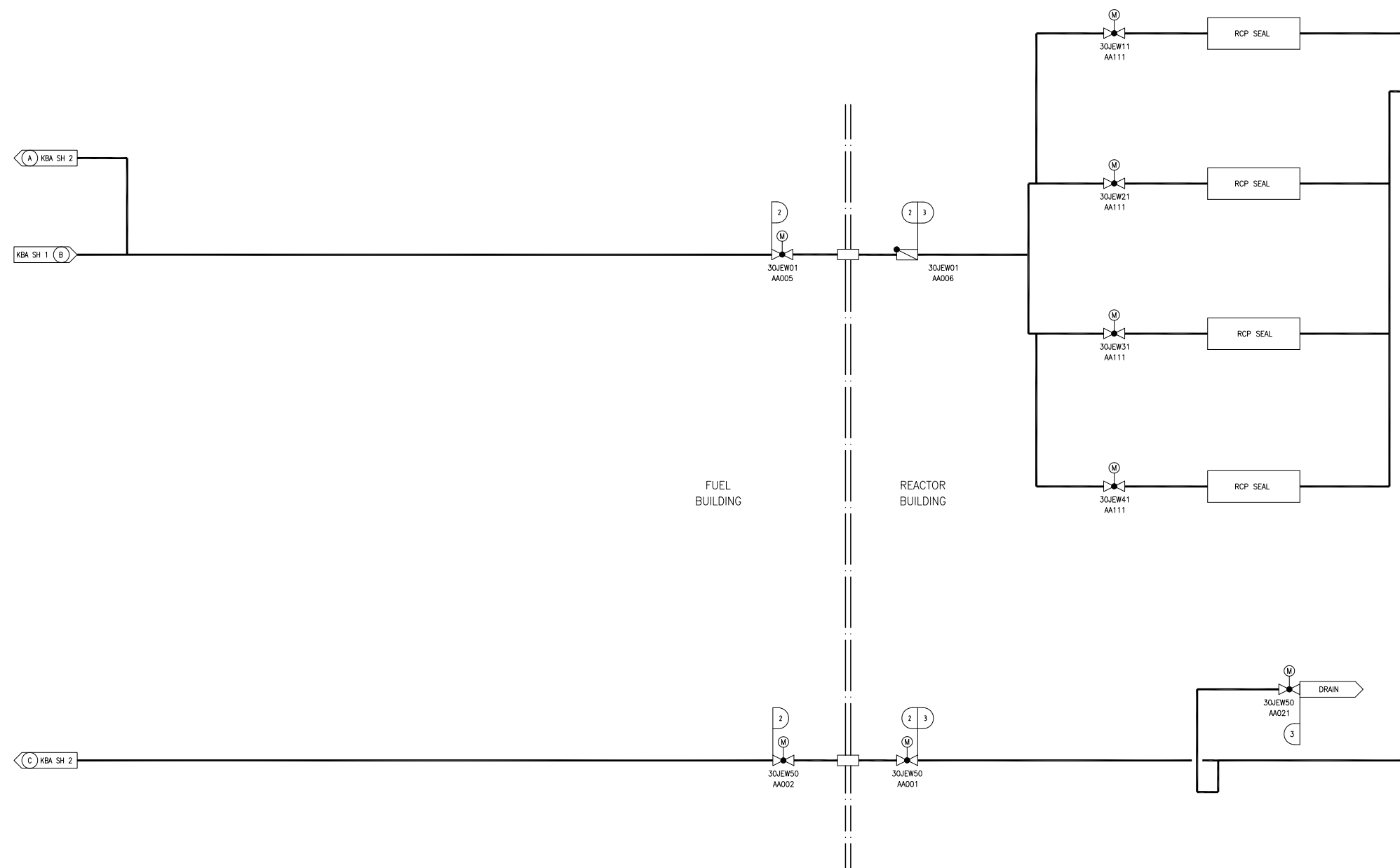
REV 003  
KBA01T1

Figure 2.2.6-1—Chemical and Volume Control System Functional Arrangement  
Sheet 2 of 3



REV 003  
KBA02T1

Figure 2.2.6-1—Chemical and Volume Control System Functional Arrangement  
Sheet 3 of 3



3	3	1
2	2	1
DESIGN AREA	ASME III CLASS	SSC SEISMIC CLASS

REV 003  
JEW01T1