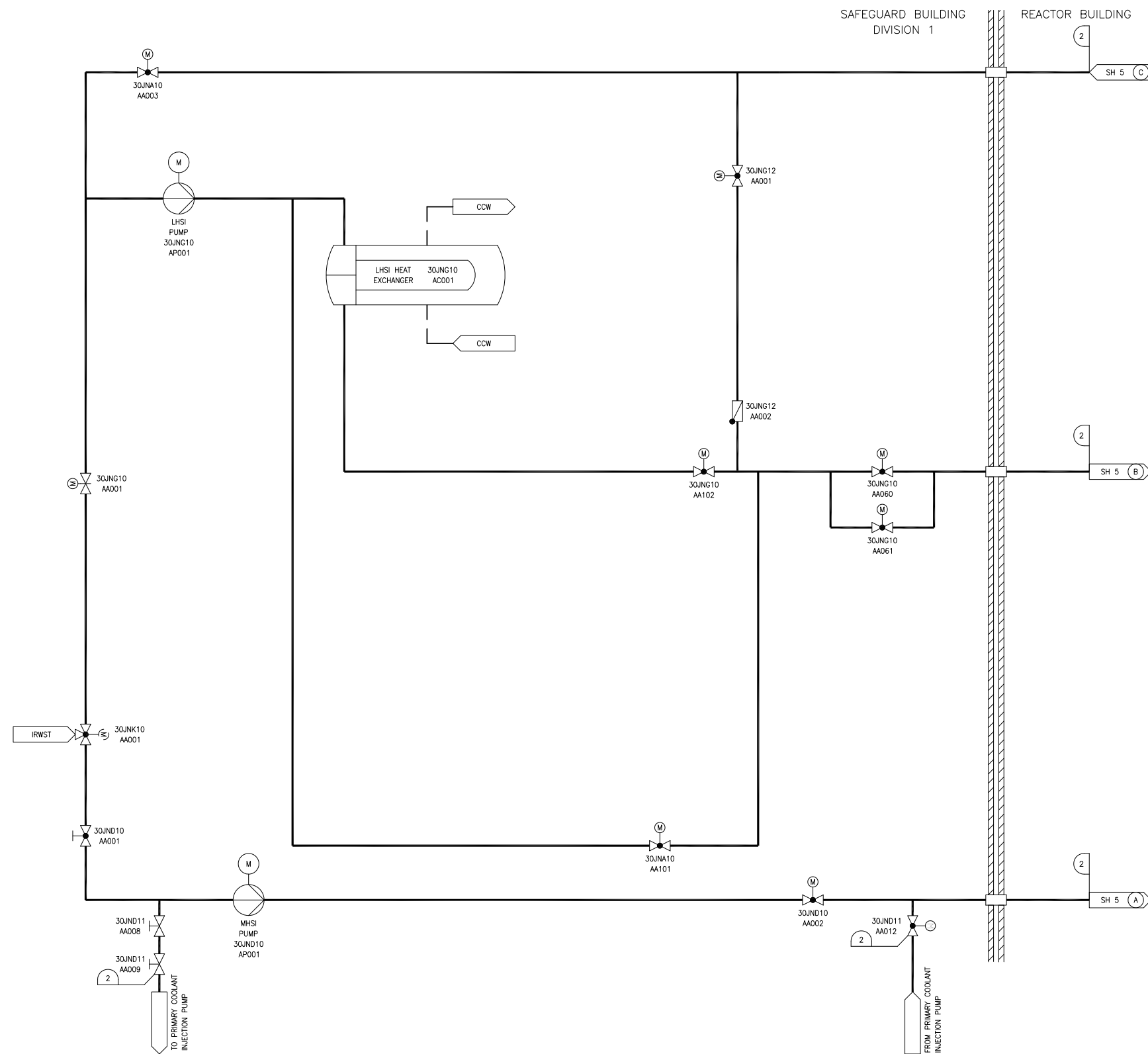


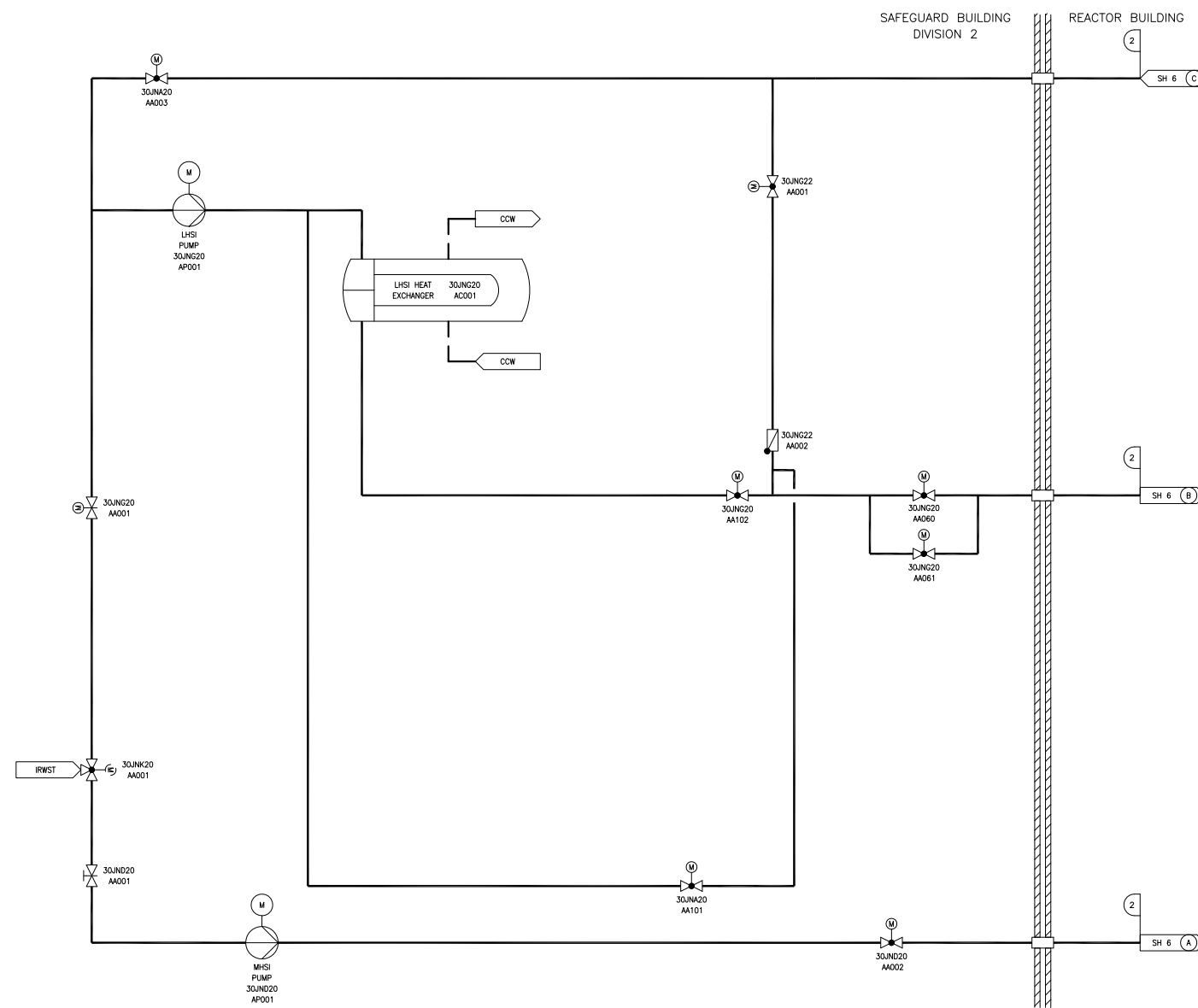
Figure 2.2.3-1—Safety Injection System and Residual Heat Removal System Functional Arrangement  
Sheet 1 of 8



2	2	1
DESIGN AREA	ASME III CLASS	SSC SEISMIC CLASS

REV 005  
JNX01T1

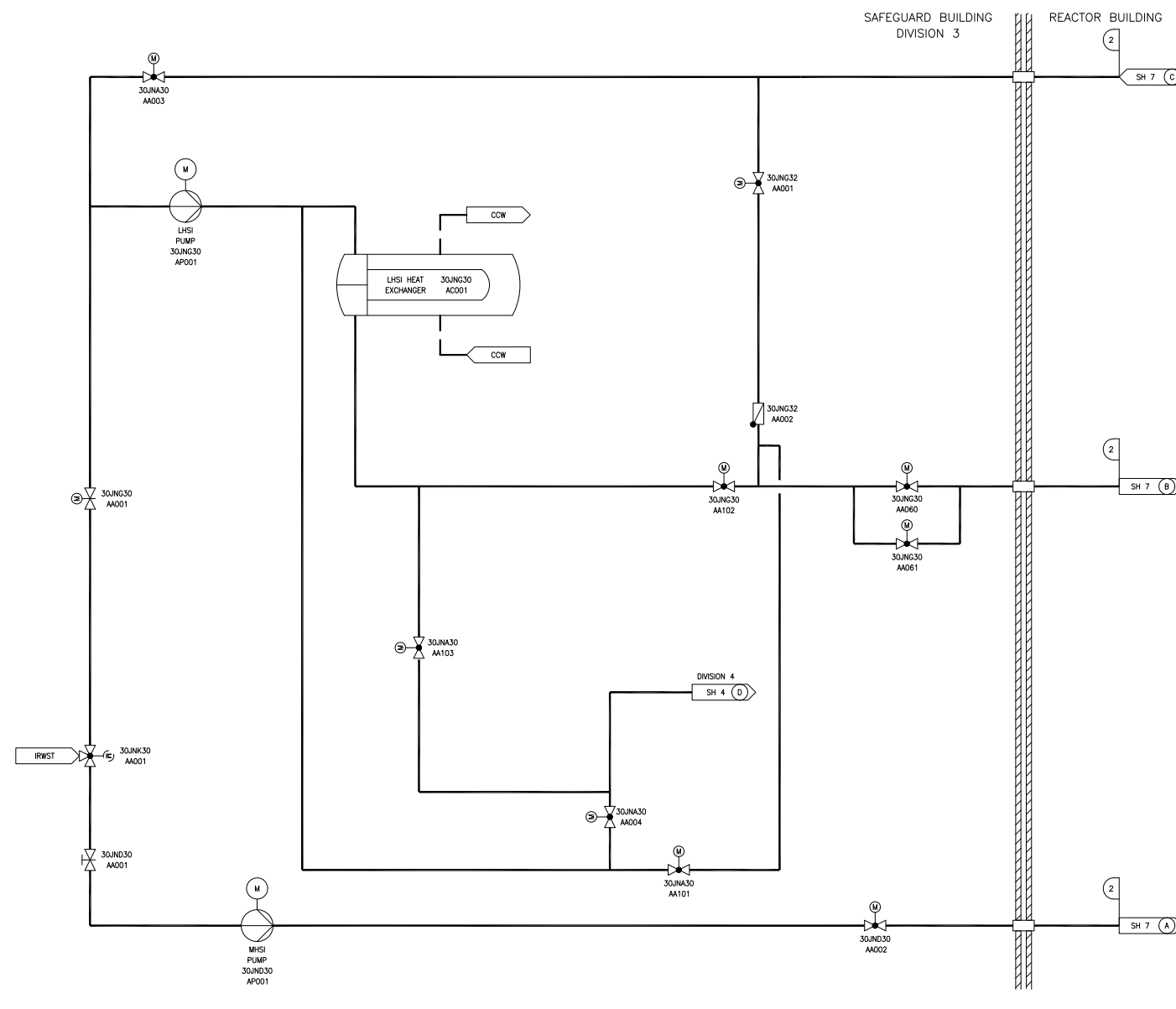
Figure 2.2.3-1—Safety Injection System and Residual Heat Removal System Functional Arrangement  
Sheet 2 of 8



2	2	1
DESIGN AREA	ASME III CLASS	SSC SEISMIC CLASS

REV 005  
JNX02T1

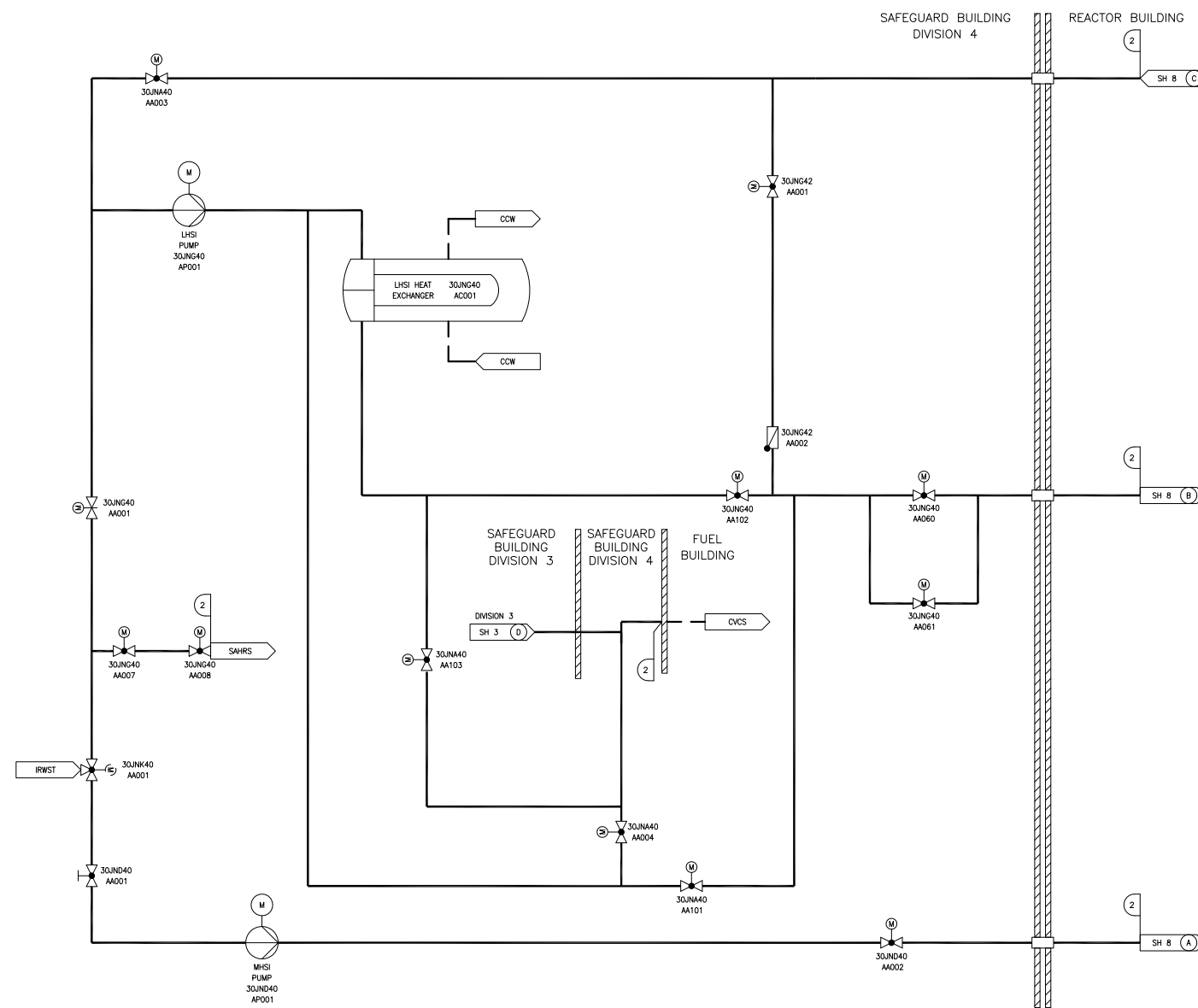
Figure 2.2.3-1—Safety Injection System and Residual Heat Removal System Functional Arrangement  
Sheet 3 of 8



2	2	1
DESIGN AREA	ASME III CLASS	SSC SEISMIC CLASS

REV 005  
JNX03T1

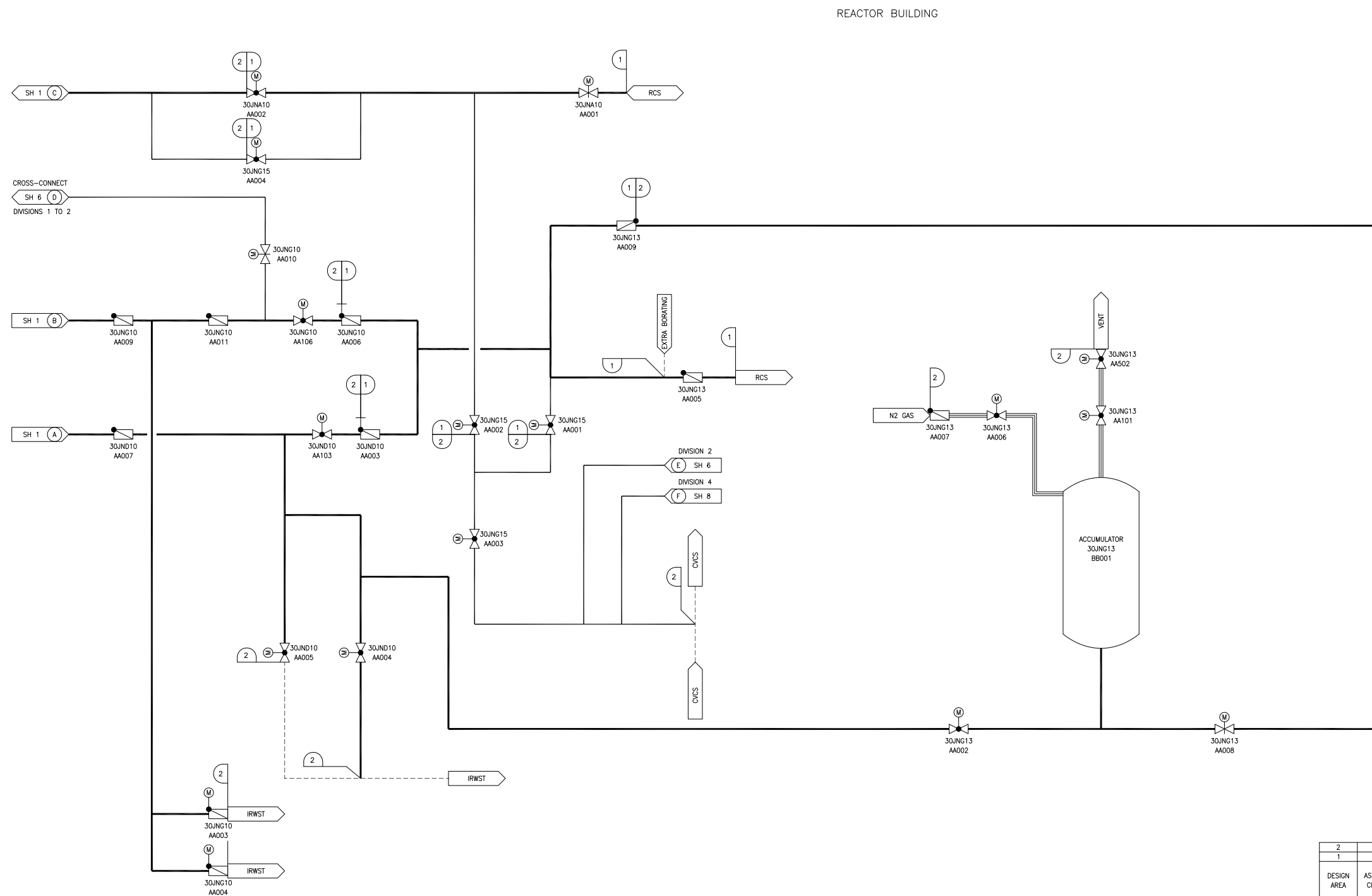
Figure 2.2.3-1—Safety Injection System and Residual Heat Removal System Functional Arrangement  
Sheet 4 of 8



2	2	1
DESIGN AREA	ASME III CLASS	SSC SEISMIC CLASS

REV 005  
JNX04T1

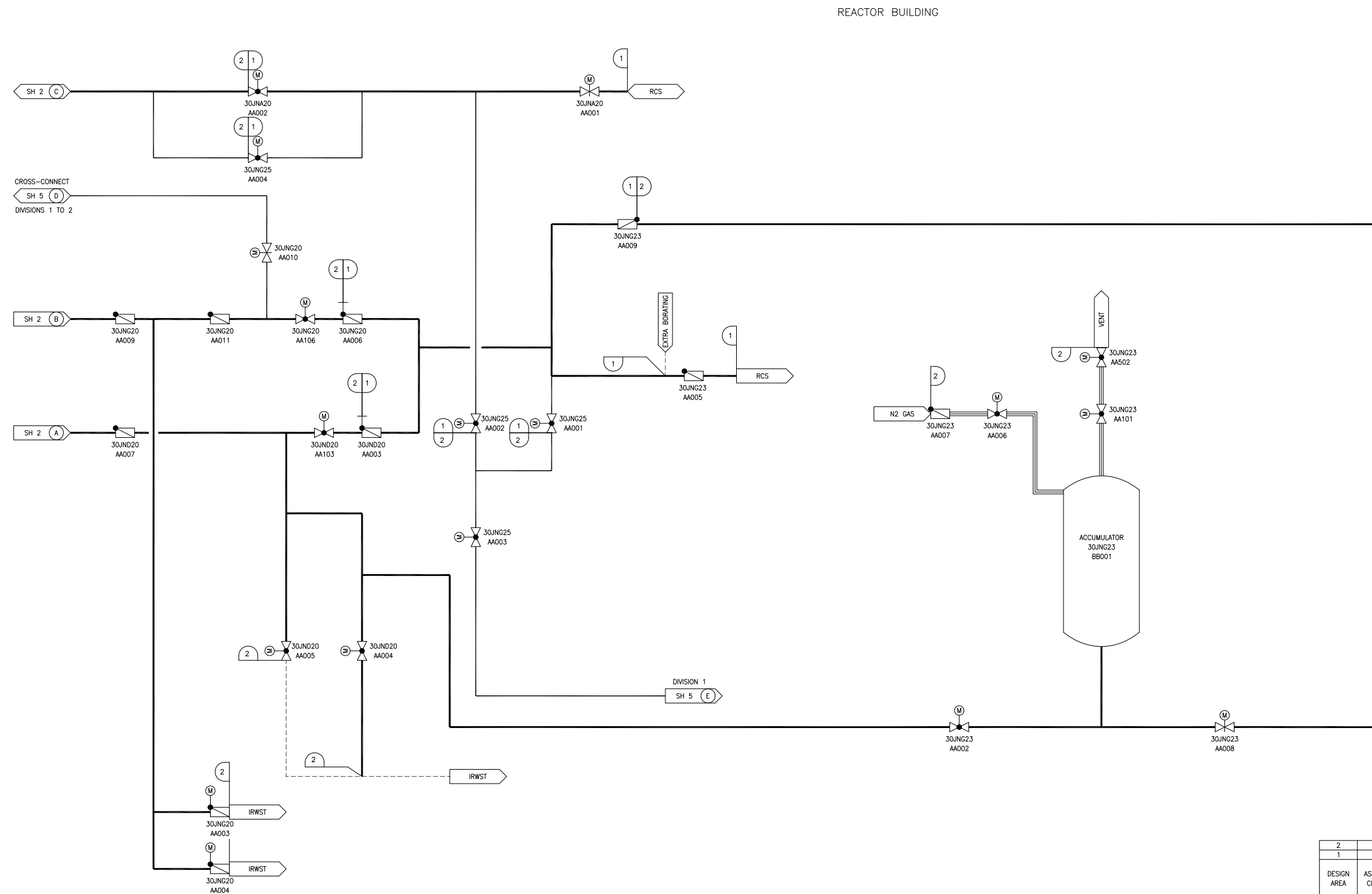
Figure 2.2.3-1—Safety Injection System and Residual Heat Removal System Functional Arrangement  
Sheet 5 of 8



2	2	I
1	1	I
DESIGN AREA	ASME III CLASS	SSC SEISMIC CLASS

REV 003  
JNX05T1

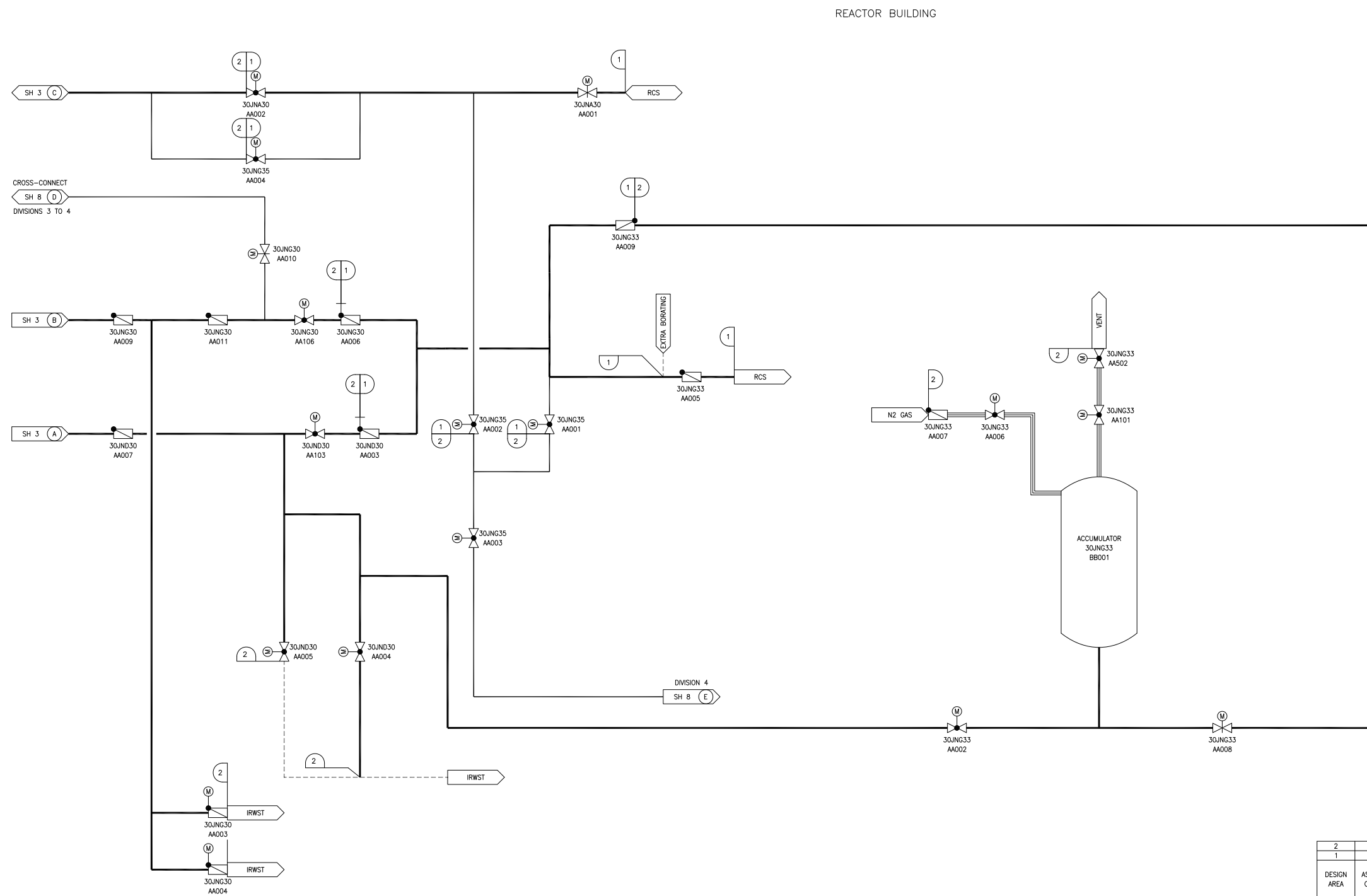
Figure 2.2.3-1—Safety Injection System and Residual Heat Removal System Functional Arrangement  
Sheet 6 of 8



2	2	I
1	1	I
DESIGN AREA	ASME III CLASS	SSC SEISMIC CLASS

REV 003  
JNX06T1

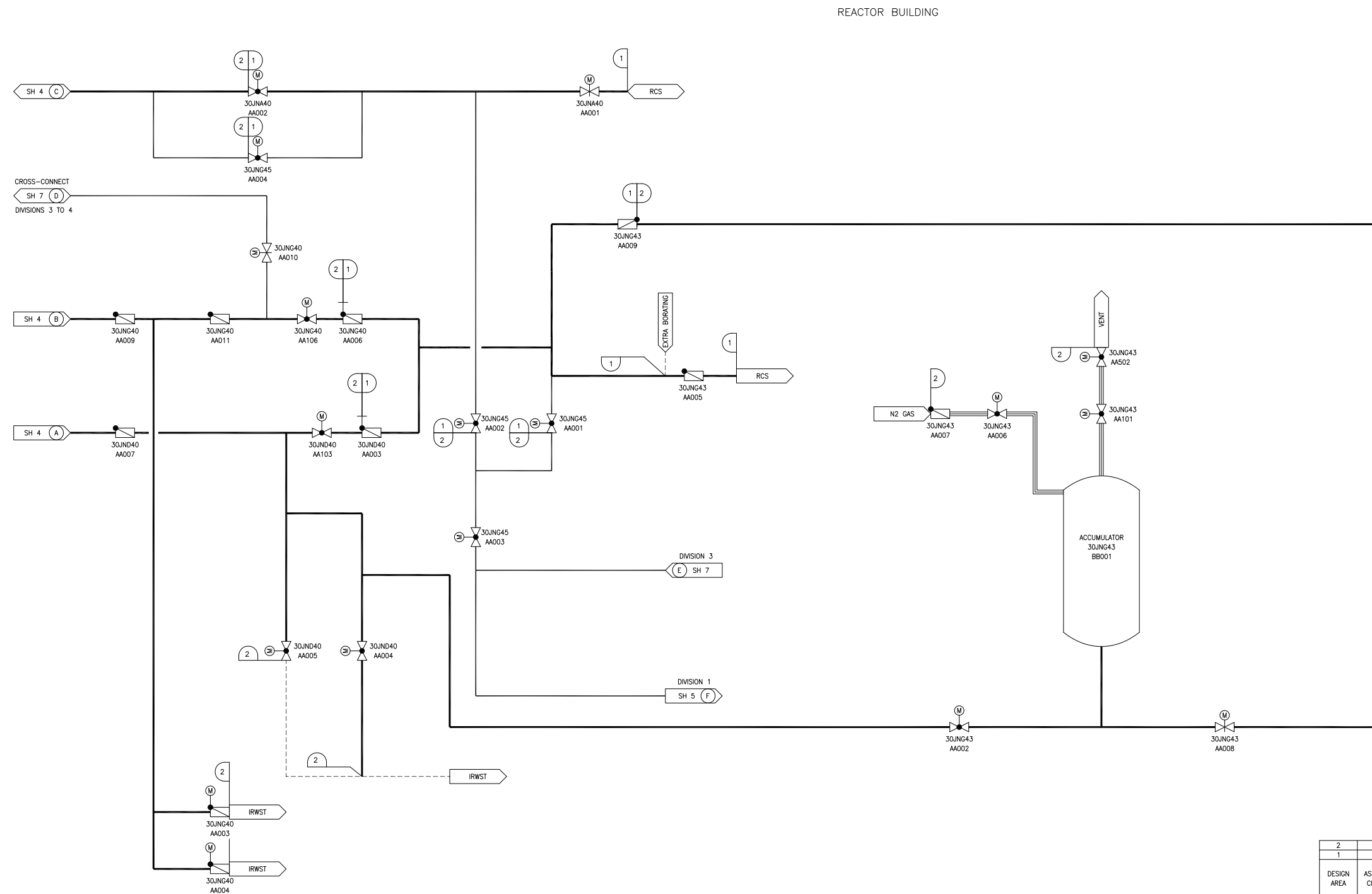
Figure 2.2.3-1—Safety Injection System and Residual Heat Removal System Functional Arrangement  
Sheet 7 of 8



2	2	1
1	1	1
DESIGN AREA	ASME III CLASS	SSC SEISMIC CLASS

REV 003  
JNX07T1

Figure 2.2.3-1—Safety Injection System and Residual Heat Removal System Functional Arrangement  
Sheet 8 of 8



2	2	1
1	1	1
DESIGN AREA	ASME III CLASS	SSC SEISMIC CLASS

REV 003  
JNX08T1