

**From:** "Gus Panagakis" <gpanagakis@sbcglobal.net>  
**To:** <ejameson@dnr.state.ga.us>  
**Date:** Friday, 19 January, 2007 17:30:25  
**Subject:** CNA Shielding Diagram for Registry Amendment

Hello Eric,

Here is what we were able to get. It's a diagram of the mechanical interfaces (Sodern1-3) along with dimension values for the 1200mm CNA (Sodern4). If this does not suit your needs, please let me know, and we will have to contact France to get additional info (which will take some time).

Thanks again for your help

EADS\* SODERN NORTH AMERICA, INC.

Gus Panagakis, Customer Support & Project Management

10455 Pacific Center Ct.

San Diego, Ca 92121

Phone: (858) 457-2000 Fax: (858) 457-2002

Cell: (858) 309-2516

email: gpanagakis@sbcglobal.net

---

From: Dsmith [mailto:dsmith.sodernusa@sbcglobal.net]  
Sent: Friday, January 19, 2007 12:35 PM  
To: 'Gus Panagakis'  
Subject: RE: State of Georgia

Gus,

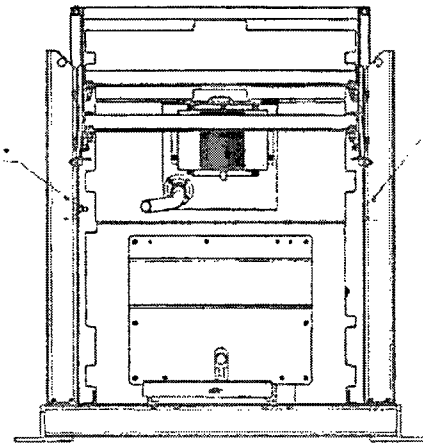
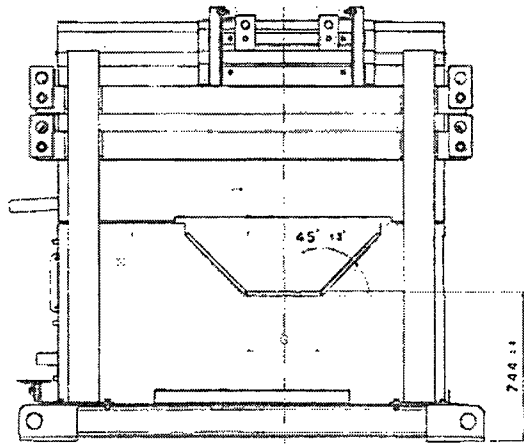
I do not have many mechanical drawings of the Gen III CNA. I looked through the user manual and have attached the mechanical interface drawing. It is not exactly what he is asking for but maybe will suffice.

I would send this to him and if it does not meet his needs you will have to ask France.

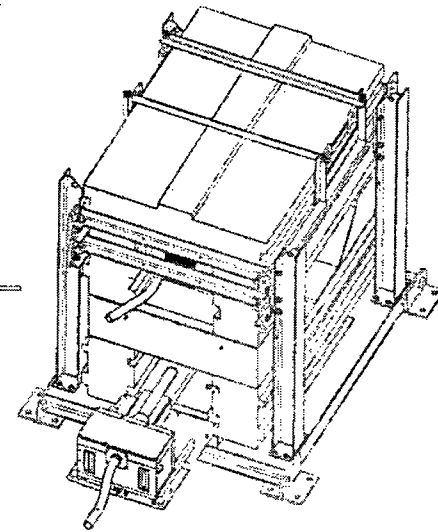
Regards,

Damien

! NOT TO SCALE !

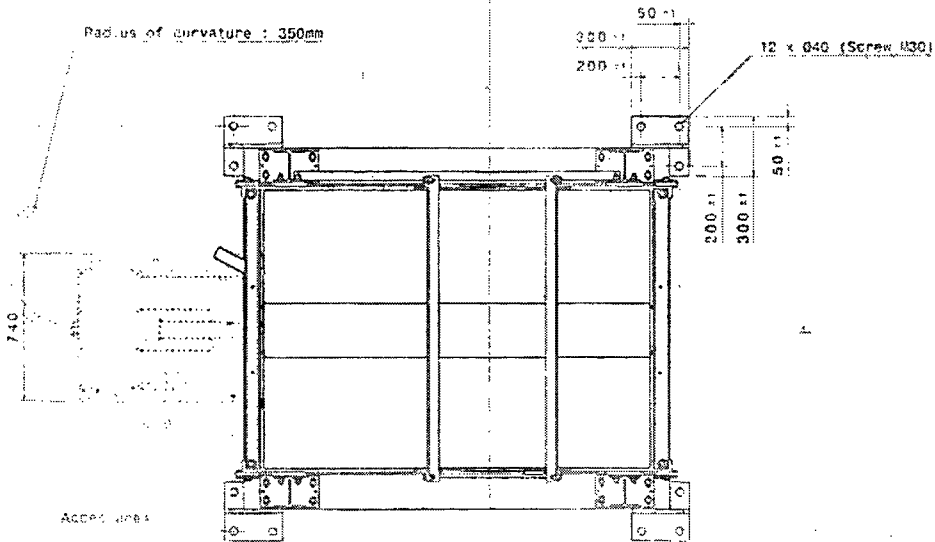


\* The protector beam is only set in on the CNA's front side.



Emission module : extended position

Radius of curvature : 350mm

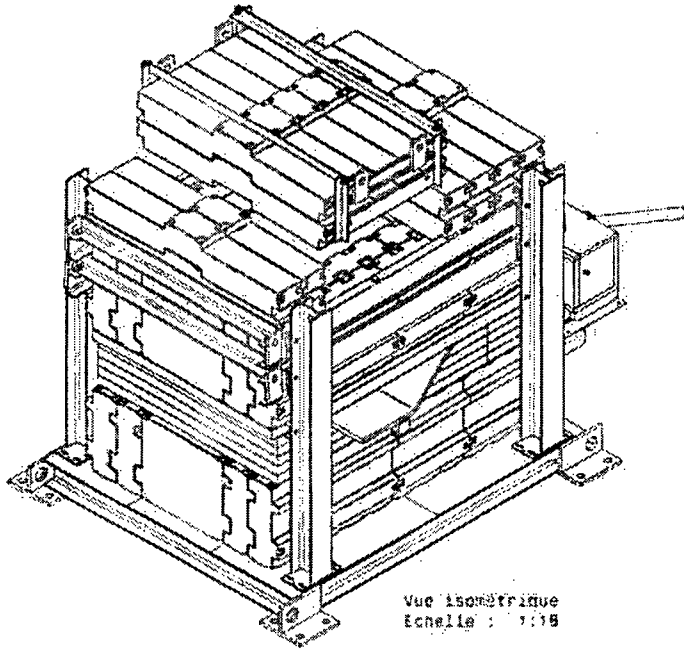
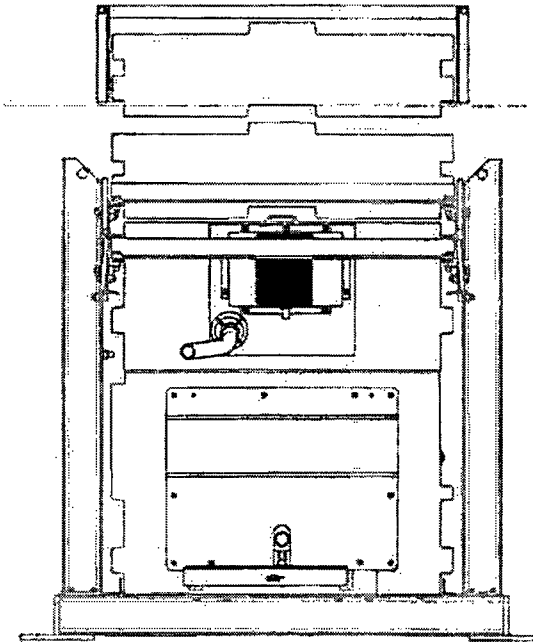
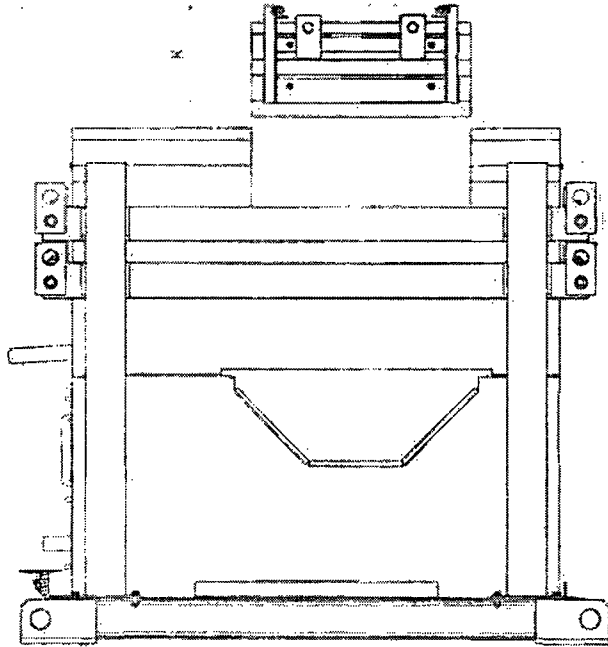


Access area

C.N.A. Gen III

INTERFACE LAYOUT

ISP 05 A 007 P 1 0001 4



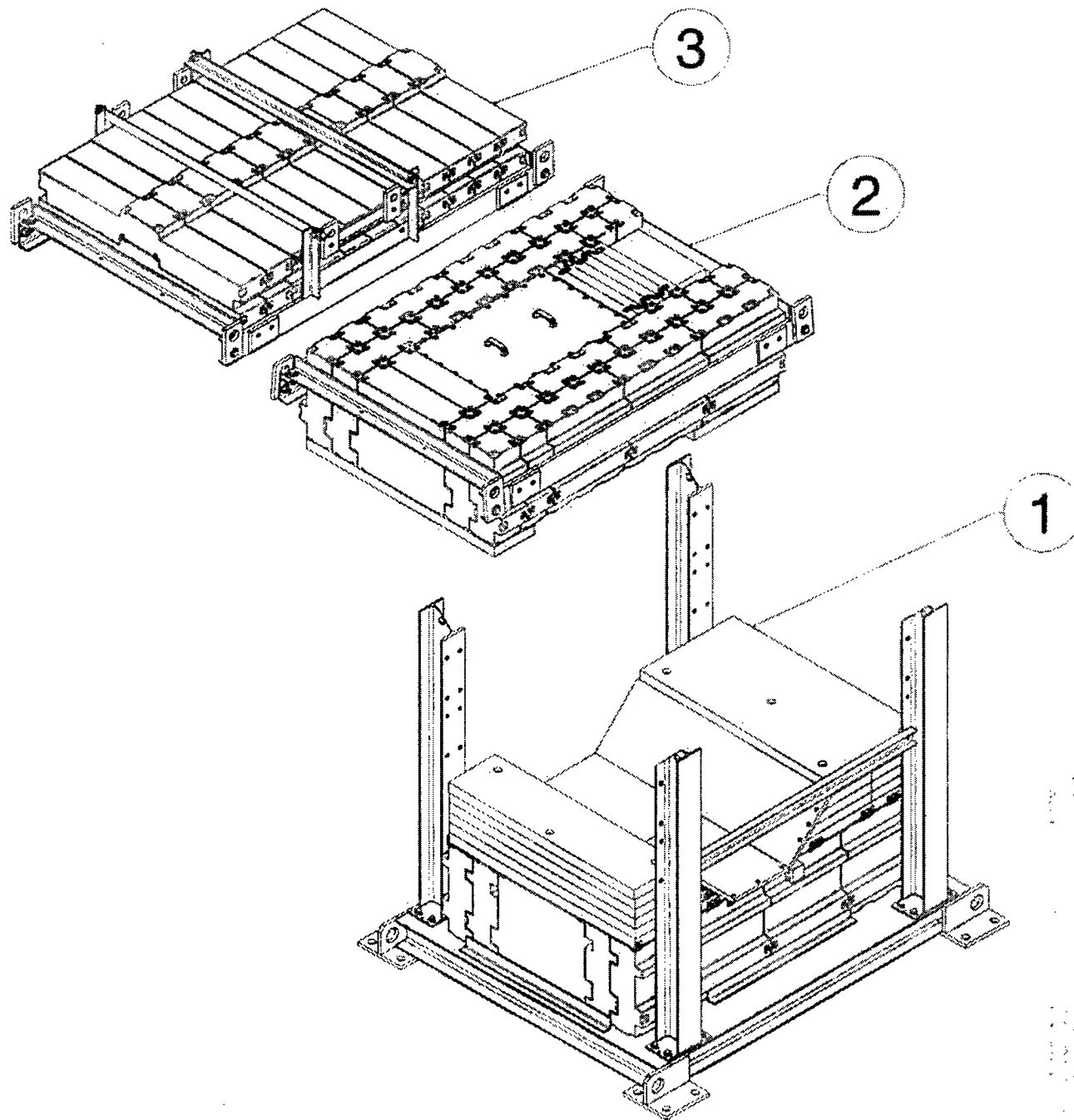
Vue isométrique  
Echelle : 1:18

C.N.A. GEN III

Accès Détecteurs

FAFRA


ISO 05 4 297 PM 2001



C.N.A. Gen III			
Masse de chaque partie			
FABRI			
ISF 05 A 007 IN I 0001 A			

	(mm)	(mm)
A	2270	+/- 20
B	2174	+/- 20
C	2290	+/- 10
D	2040	+/- 10
E	1800	+/- 10
F	1400	+/- 10
G	465	+/- 20
H	372	+/- 5
I	0	/
J	1305	+/- 10
K	400	+/- 5
N	350	+/- 10

	Tons
1	2,9 +/- 0,04
2	1,3 +/- 0,03
3	1,2 +/- 0,03
couvercle	0,46 +/- 0,01
Total weight	5,4 +/- 0,05

<p>C.N.A. Belt 1200mm Middle radioprotection Dimensions values</p>			
			
FAFR4		FC, LD	
<p>ISP 05 A 297 PM I 0001 A</p>			