

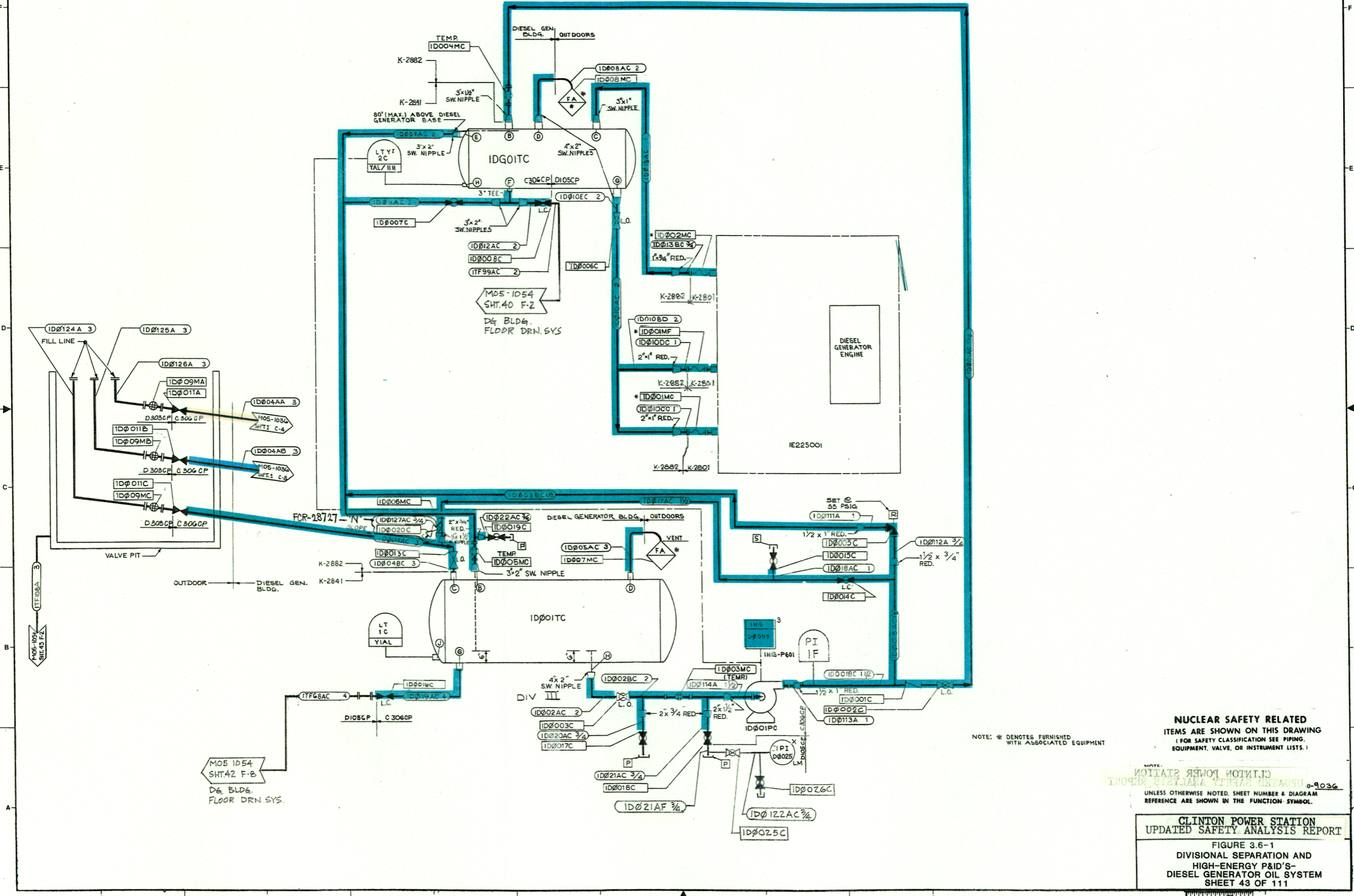
9E01-G0W  
SHEET 2  
OF 3  
MOS-1036

ID001TC  
DIESEL GENERATOR  
FUEL OIL STORAGE TANK  
K-2841

IDG01TC  
DIESEL GENERATOR  
FUEL OIL DAY TANK  
K-2841

ID001PC  
DIESEL GENERATOR  
FUEL OIL TRANSFER PUMP  
K-2826A

IE225001  
DIESEL ENGINE  
GENERATOR SET SKID  
K-2801

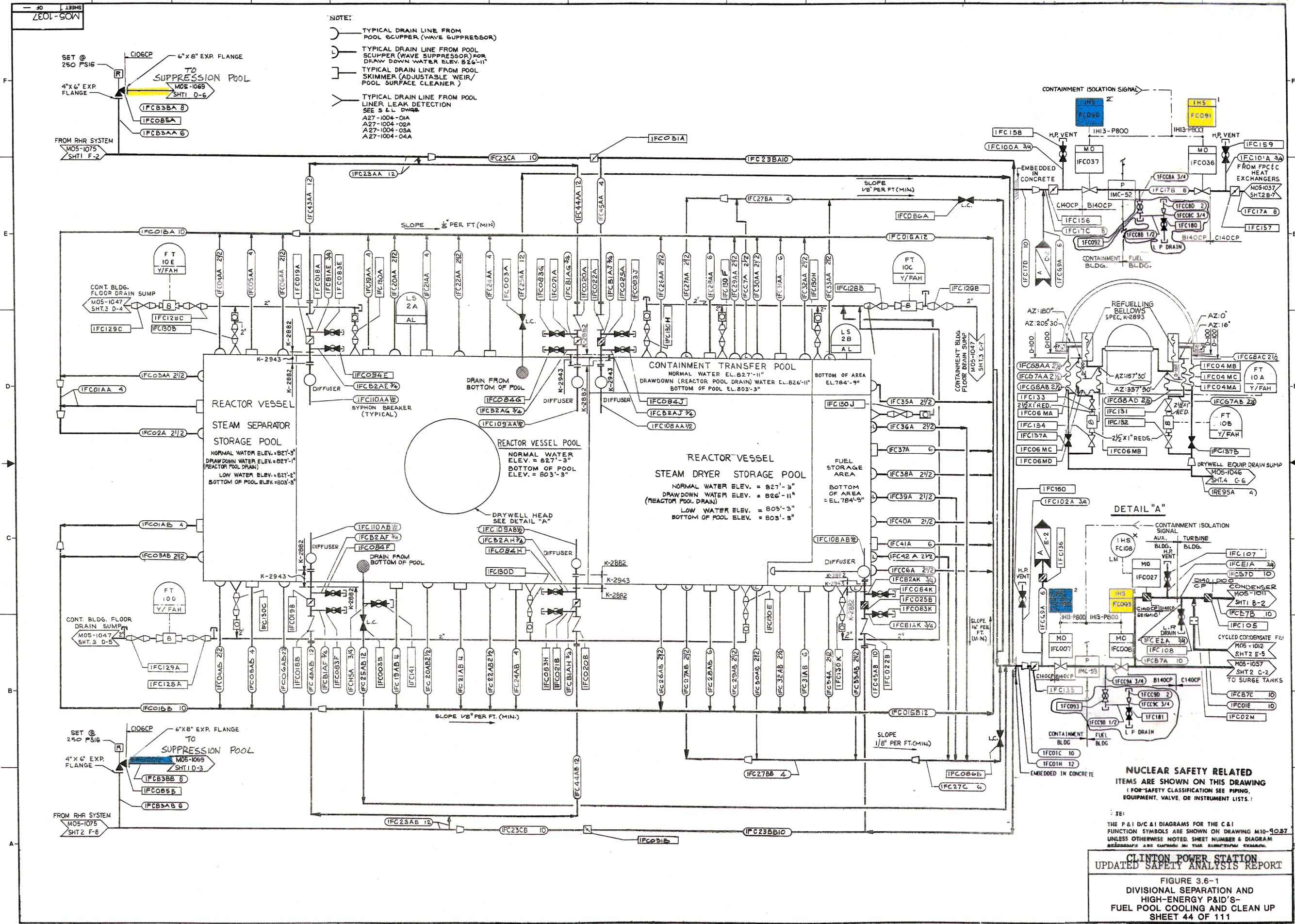


**NUCLEAR SAFETY RELATED**  
ITEMS ARE SHOWN ON THIS DRAWING  
(FOR SAFETY CLASSIFICATION SEE PIPING,  
EQUIPMENT, VALVE, OR INSTRUMENT LISTS.)

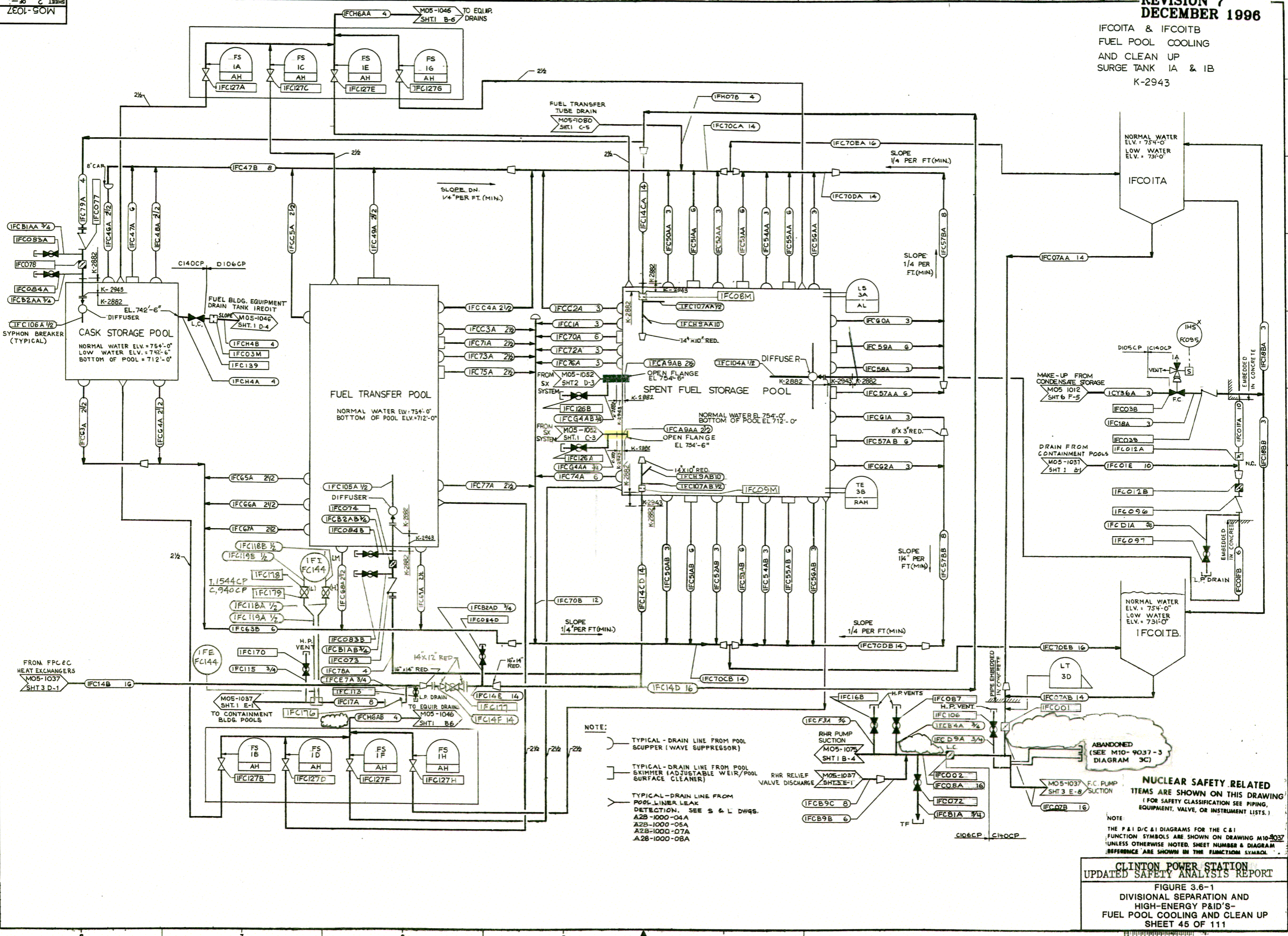
NOTE:  
UNLESS OTHERWISE NOTED, SHEET NUMBER & DIAGRAM  
REFERENCE ARE SHOWN IN THE FUNCTION SYMBOL.

CLINTON POWER STATION  
UPDATED SAFETY ANALYSIS REPORT

FIGURE 3.6-1  
DIVISIONAL SEPARATION AND  
HIGH-ENERGY P&ID'S-  
DIESEL GENERATOR OIL SYSTEM  
SHEET 43 OF 111



IFCOITA & IFCOITB  
FUEL POOL COOLING  
AND CLEAN UP  
SURGE TANK IA & IB  
K-2943



NOTE:

- TYPICAL - DRAIN LINE FROM POOL SCUPPER (WAVE SUPPRESSOR)
- TYPICAL - DRAIN LINE FROM POOL SKIMMER (ADJUSTABLE WEIR/SURFACE CLEANER)
- TYPICAL - DRAIN LINE FROM POOL LINER LEAK DETECTION. SEE S & L DWGS. A2B-1000-04A A2B-1000-05A A2B-1000-07A A2B-1000-08A

NUCLEAR SAFETY RELATED ITEMS ARE SHOWN ON THIS DRAWING (FOR SAFETY CLASSIFICATION SEE PIPING, EQUIPMENT, VALVE, OR INSTRUMENT LISTS.)

NOTE: THE P&ID/C&I DIAGRAMS FOR THE C&I FUNCTION SYMBOLS ARE SHOWN ON DRAWING M10-9037 UNLESS OTHERWISE NOTED. SHEET NUMBER & DIAGRAM REFERENCE ARE SHOWN IN THE FUNCTION SYMBOL.

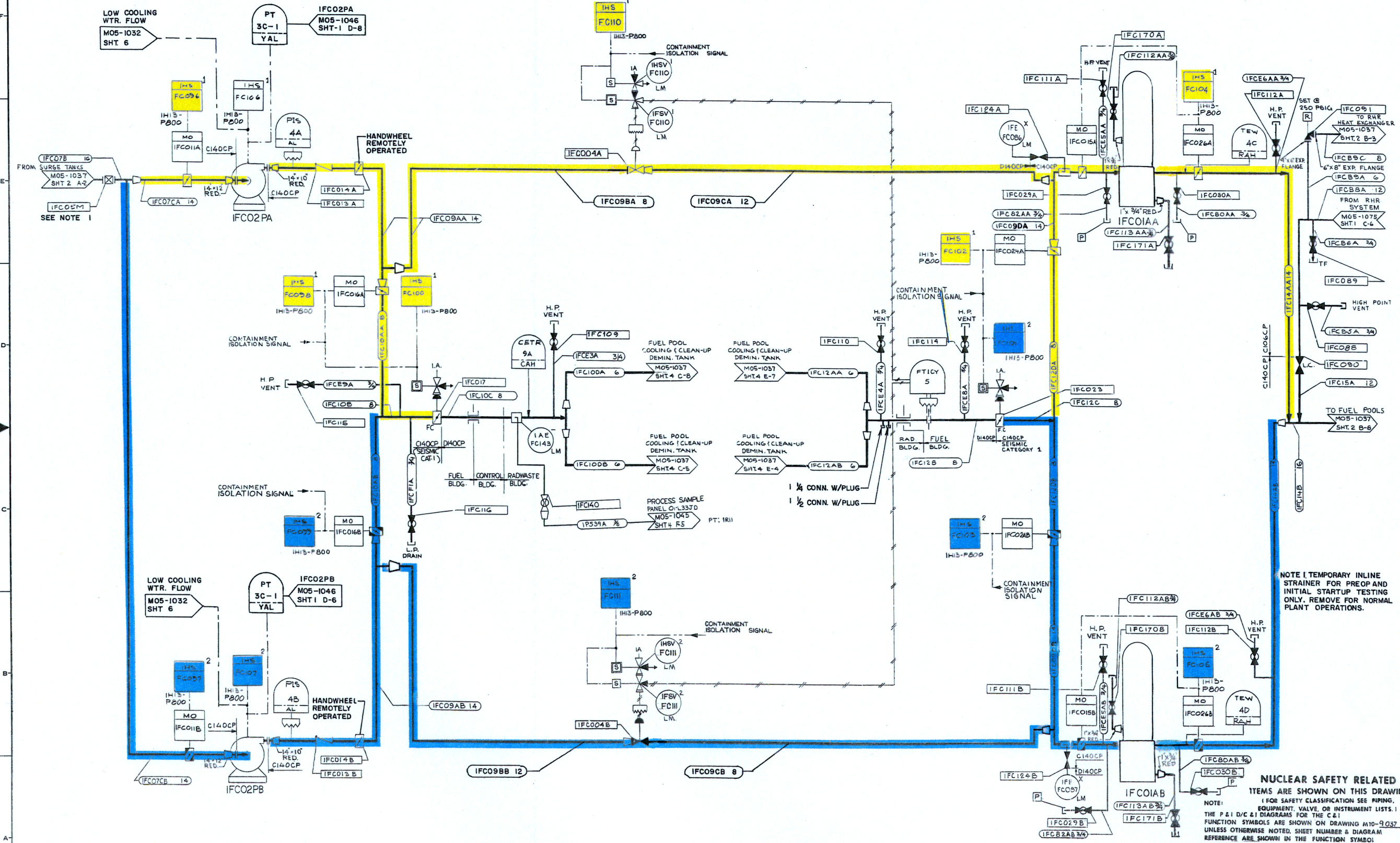
CLINTON POWER STATION  
UPDATED SAFETY ANALYSIS REPORT

FIGURE 3.6-1  
DIVISIONAL SEPARATION AND  
HIGH-ENERGY P&ID'S-  
FUEL POOL COOLING AND CLEAN UP  
SHEET 45 OF 111

IFCO2PA & IFCO2PB  
FUEL POOL COOLING &  
CLEAN UP PUMPS IA & IB  
K-2824

IFCO1AA & IFCO1AB  
FUEL POOL COOLING &  
CLEAN UP HEAT EXCHANGERS IA & IB  
K-2815

7E01-G0W



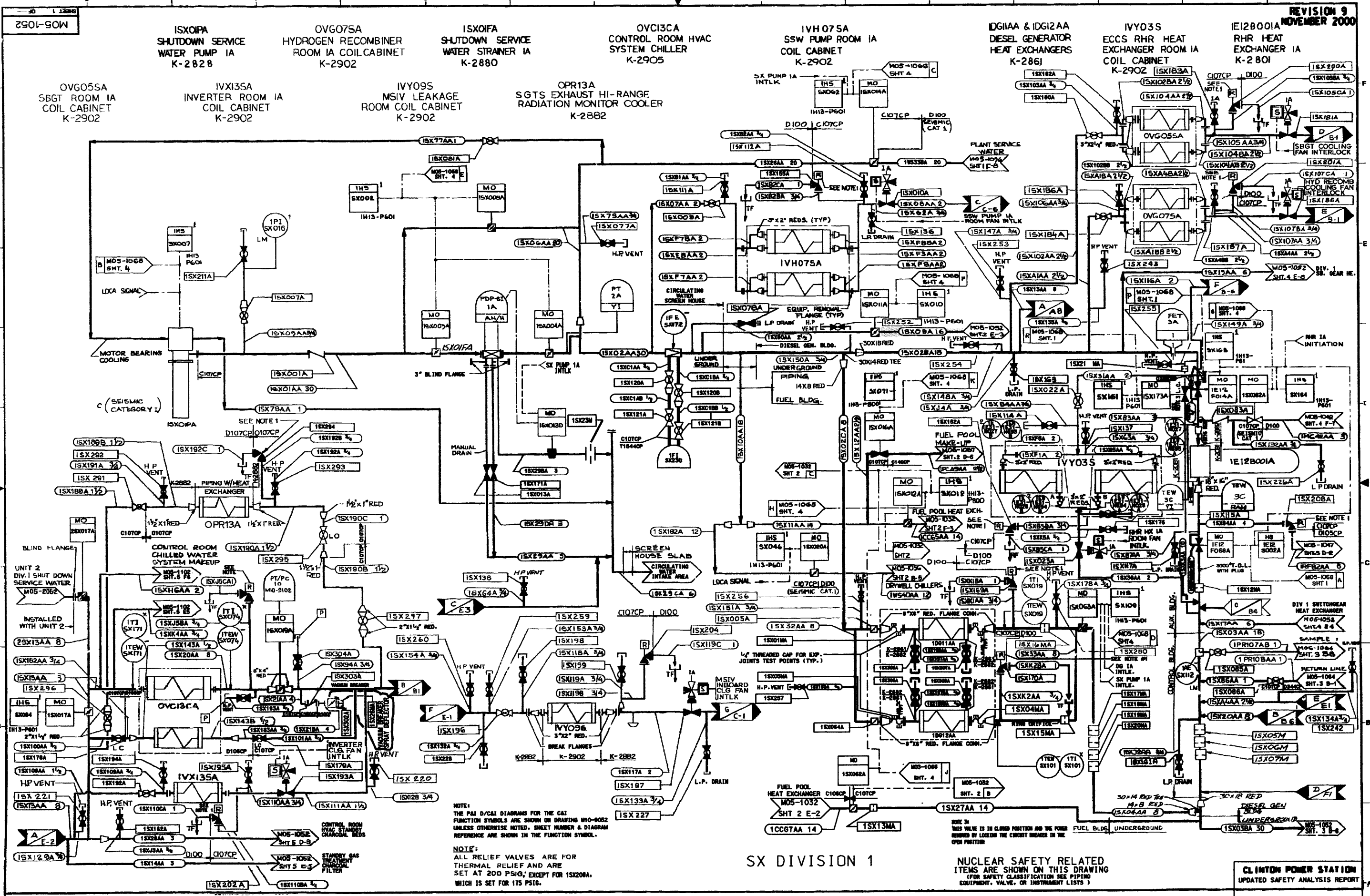
NOTE 1 TEMPORARY INLINE STRAINER FOR PREP AND INITIAL STARTUP TESTING ONLY. REMOVE FOR NORMAL PLANT OPERATIONS.

**NUCLEAR SAFETY RELATED**  
ITEMS ARE SHOWN ON THIS DRAWING

NOTE:  
FOR SAFETY CLASSIFICATION SEE PIPING,  
EQUIPMENT, VALVE, OR INSTRUMENT LISTS. 1  
THE P & I D/C & I DIAGRAMS FOR THE C & I  
FUNCTION SYMBOLS ARE SHOWN ON DRAWING A10-9037  
UNLESS OTHERWISE NOTED, SHEET NUMBER & DIAGRAM  
REFERENCE ARE SHOWN IN THE FUNCTION SYMBOL

**CLINTON POWER STATION**  
**UPDATED SAFETY ANALYSIS REPORT**

FIGURE 3.6-1  
DIVISIONAL SEPARATION AND  
HIGH-ENERGY P&ID'S-  
FUEL POOL COOLING AND CLEAN UP  
SHEET 46 OF 111

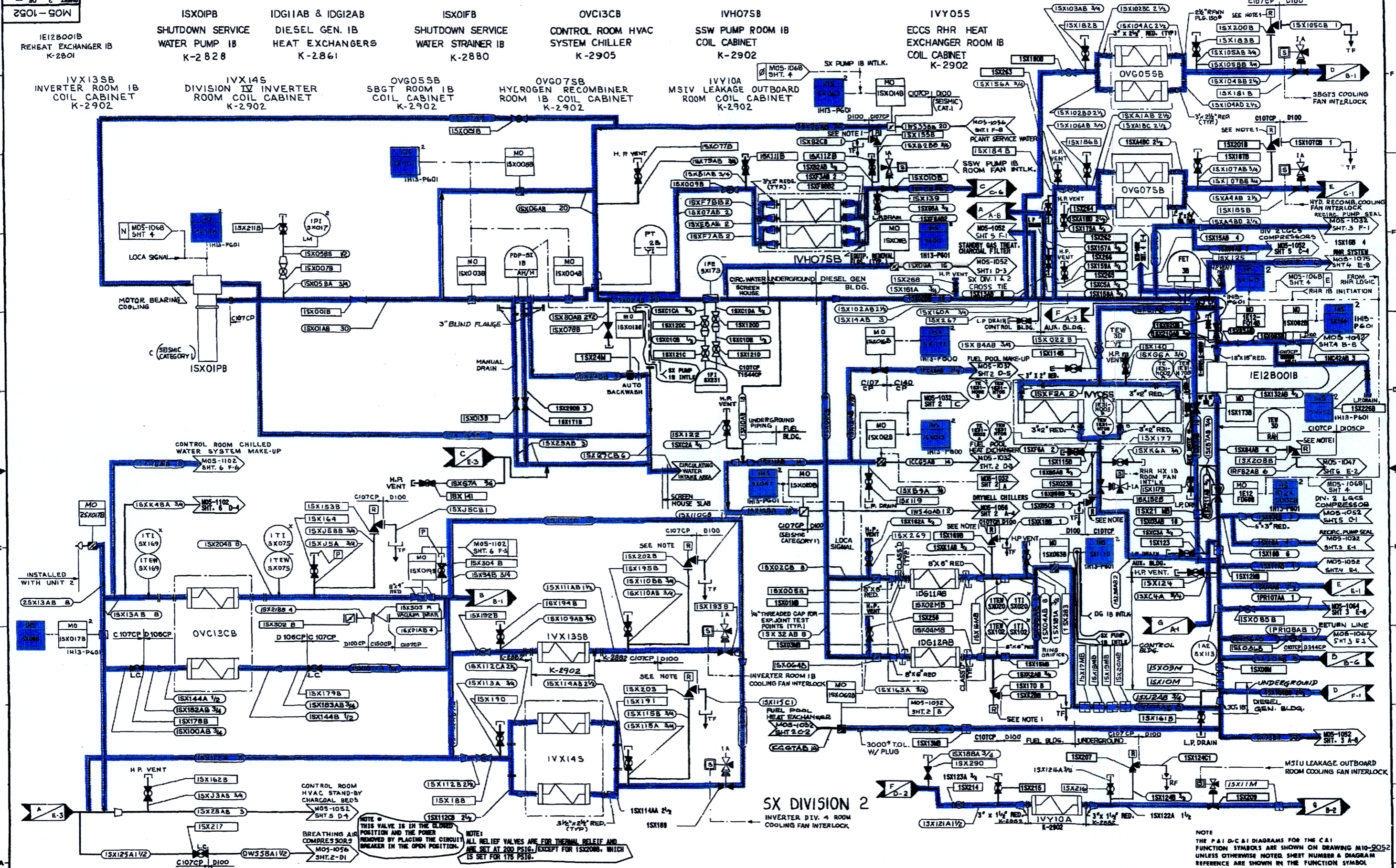


SX DIVISION 1

NUCLEAR SAFETY RELATED  
ITEMS ARE SHOWN ON THIS DRAWING  
(FOR SAFETY CLASSIFICATION SEE PIPING  
EQUIPMENT, VALVE, OR INSTRUMENT LISTS)

CLINTON POWER STATION  
UPDATED SAFETY ANALYSIS REPORT

FIGURE 3.6-1  
DIVISIONAL SEPARATION AND  
HIGH-ENERGY PAID'S-  
SHUTDOWN SERVICE WATER  
SHEET 47 OF 111



105-1052

ISX01PB SHUTDOWN SERVICE WATER PUMP 1B K-2828

IVX13SB INVERTER ROOM 1B COIL CABINET K-2902

IVX14S DIVISION 1X INVERTER ROOM COIL CABINET K-2902

ISX01FB SHUTDOWN SERVICE WATER STRAINER 1B K-2880

OVC13CB CONTROL ROOM HVAC SYSTEM CHILLER K-2905

IVH07SB SSW PUMP ROOM 1B COIL CABINET K-2902

IVY055 ECCS RHR HEAT EXCHANGER ROOM 1B COIL CABINET K-2902

OVC05SB SSGT ROOM 1B COIL CABINET K-2902

OVC07SB HYDROGEN RECOMBINER ROOM 1B COIL CABINET K-2902

ISX03AB 3/4" ISX102BC 2 1/2" ISX104AC 2 1/2" ISX200B ISX105CB 1" ISX104BB 2 1/2" ISX105AB 3/4" ISX105BB 3/4" ISX104AD 2 1/2" ISX104AB 2 1/2" ISX104BC 2 1/2" ISX104C 2 1/2" ISX104D 2 1/2" ISX104E 2 1/2" ISX104F 2 1/2" ISX104G 2 1/2" ISX104H 2 1/2" ISX104I 2 1/2" ISX104J 2 1/2" ISX104K 2 1/2" ISX104L 2 1/2" ISX104M 2 1/2" ISX104N 2 1/2" ISX104O 2 1/2" ISX104P 2 1/2" ISX104Q 2 1/2" ISX104R 2 1/2" ISX104S 2 1/2" ISX104T 2 1/2" ISX104U 2 1/2" ISX104V 2 1/2" ISX104W 2 1/2" ISX104X 2 1/2" ISX104Y 2 1/2" ISX104Z 2 1/2"

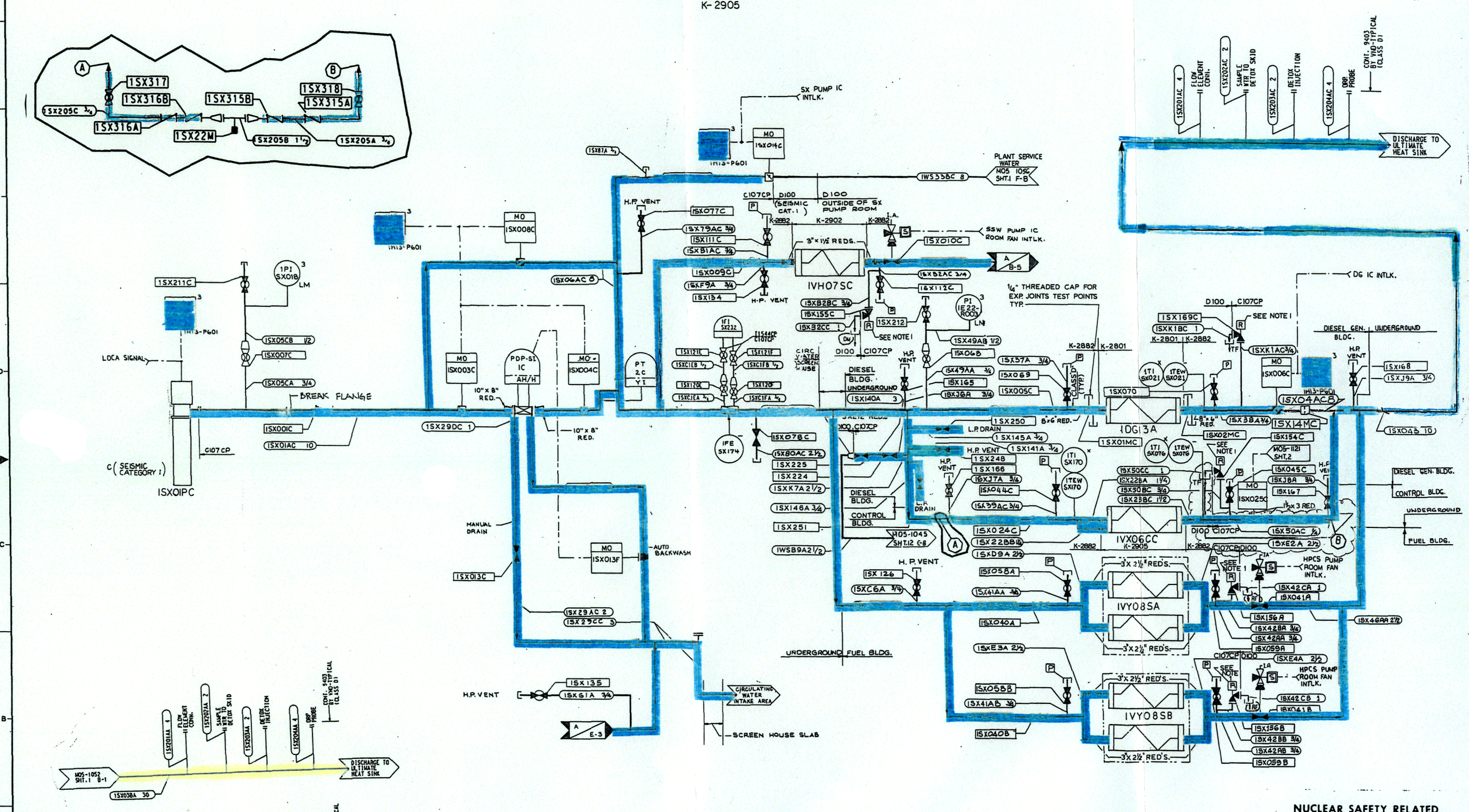
NOTE: THIS VALVE IS IN THE CLOSED POSITION AND THE POWER REMOVED BY PLACING THE CIRCUIT BREAKER IN THE OPEN POSITION.

NOTE: ALL RELIEF VALVES ARE FOR THERMAL RELIEF AND ARE SET AT 200 PSIG, EXCEPT FOR ISX200B, WHICH IS SET FOR 176 PSIG.

SX DIVISION 2  
INVERTER DIV. 4 ROOM COOLING FAN INTERLOCK

NOTE: THE P&ID/C&I DIAGRAMS FOR THE C&I FUNCTION SYMBOLS ARE SHOWN ON DRAWING M10-2052 UNLESS OTHERWISE NOTED. SHEET NUMBER & DIAGRAM REFERENCE ARE SHOWN IN THE FUNCTION SYMBOL.

CLINTON POWER STATION  
UPDATED SAFETY ANALYSIS REPORT  
FIGURE 3.6-1  
DIVISIONAL SEPARATION  
HIGH-ENERGY PAID'S  
SHUTDOWN SERVICE WATER  
SHEET 48 OF 111



**NOTE:**  
 1. ALL RELIEF VALVES ARE FOR THERMAL RELIEF AND ARE SET AT 170 PSIG. EXCEPT ISX169C WHICH IS SET AT 150 PSIG.

**NUCLEAR SAFETY RELATED**  
 ITEMS ARE SHOWN ON THIS DRAWING (FOR SAFETY CLASSIFICATION SEE PIPING, EQUIPMENT, VALVE, OR INSTRUMENT LISTS.)

**NOTE**  
 THE P&ID DIAGRAMS FOR THE C&I FUNCTION SYMBOLS ARE SHOWN ON DRAWING M10-9052 UNLESS OTHERWISE NOTED SHEET NUMBER & DIAGRAM REFERENCE ARE SHOWN IN THE FUNCTION SYMBOL.

**CLINTON POWER STATION**  
 UPDATED SAFETY ANALYSIS REPORT

**FIGURE 3.6-1**  
 DIVISIONAL SEPARATION AND HIGH-ENERGY P&ID'S - SHUTDOWN SERVICE WATER SHEET 49 OF 111

SX DIVISION 3