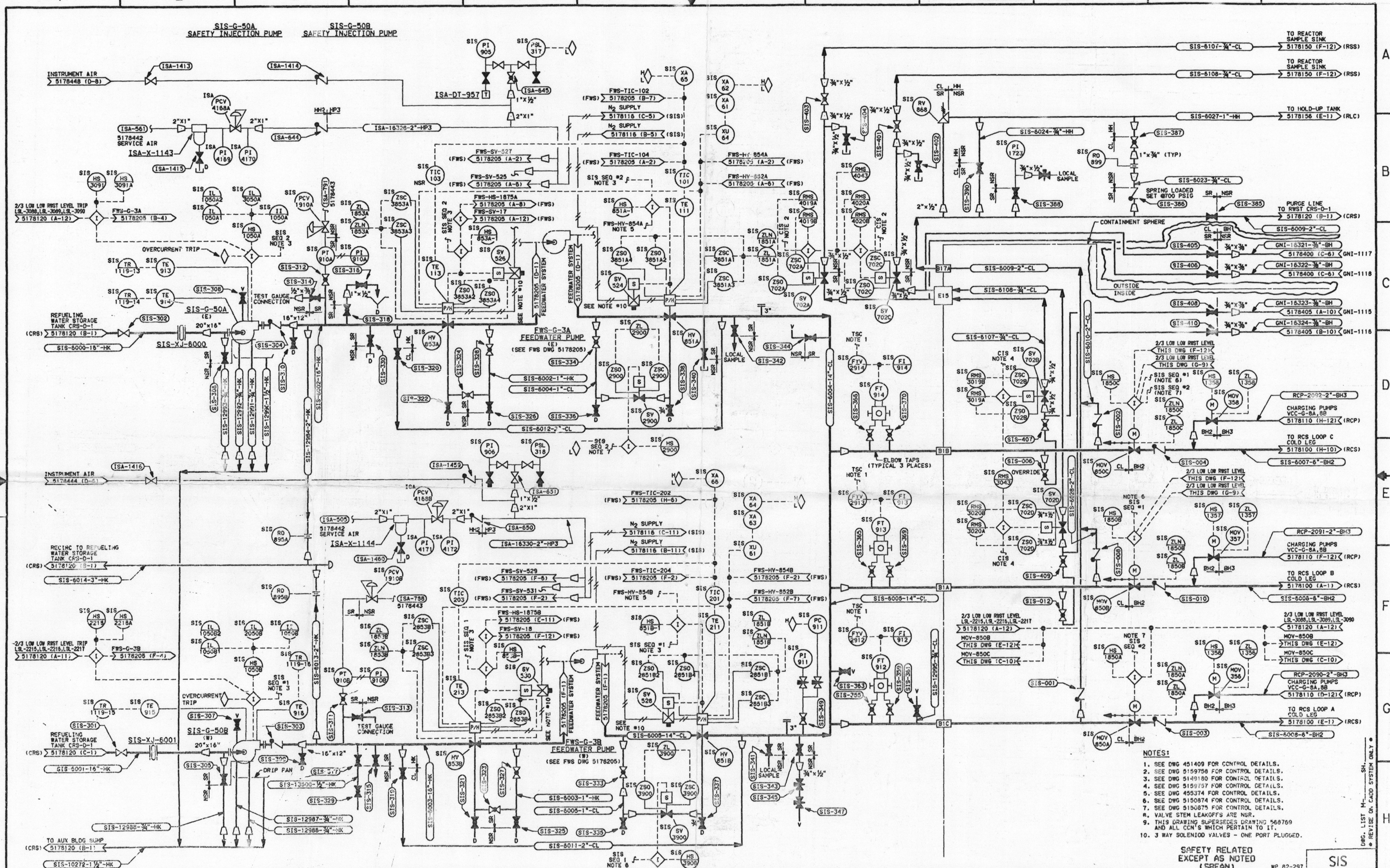


Docket # 50-206
 Accession # 9011020051
 Date 10/29/90
 Regulatory Docket File



- NOTES:**
1. SEE DWG 451409 FOR CONTROL DETAILS.
 2. SEE DWG 519758 FOR CONTROL DETAILS.
 3. SEE DWG 5149180 FOR CONTROL DETAILS.
 4. SEE DWG 5159757 FOR CONTROL DETAILS.
 5. SEE DWG 490374 FOR CONTROL DETAILS.
 6. SEE DWG 5150874 FOR CONTROL DETAILS.
 7. SEE DWG 5150875 FOR CONTROL DETAILS.
 8. VALVE STEM LEAKOFFS ARE NSR.
 9. THIS DRAWING SUPERSEDES DRAWING 568769 AND ALL CON'S WHICH PERTAIN TO IT.
 10. 3 WAY SOLENOID VALVES - ONE PORT PLUGGED.
- SAFETY RELATED EXCEPT AS NOTED (SREAN)**
- WP 82-297

NO.	DATE	P.E.	QAE	SUPV	APPROVED	ENGR	CK'D	MADE	I.D.	NO.	REVISIONS	M	DATE	P.E.	QAE	SUPV	APPROVED	ENGR	CK'D	MADE	I.D.		
5178000											11	AS BUILT BY FLOOR											
5178001											10	AS BUILT BY FLOOR											
5178002											9	AS BUILT BY FLOOR											
495368											8	AS BUILT BY FLOOR											
495316											7	AS BUILT BY FLOOR											
495371											6	AS BUILT BY FLOOR											

LOCATION: SAN ONOFRE NUCLEAR GEN. STA. UNIT 1

P & I DIAGRAM SAFETY INJECTION SYSTEM SHEET 1

Southern California Edison

SCALE: NONE

OF SHTS.

5178115-14

MICROFILMED FROM BEST AVAILABLE COPY

26X

901114 0088

SI APERTURE CARD