

Figure 7.7-12 – Steam Bypass and Pressure Control System IED (Sheet 1 of 2)

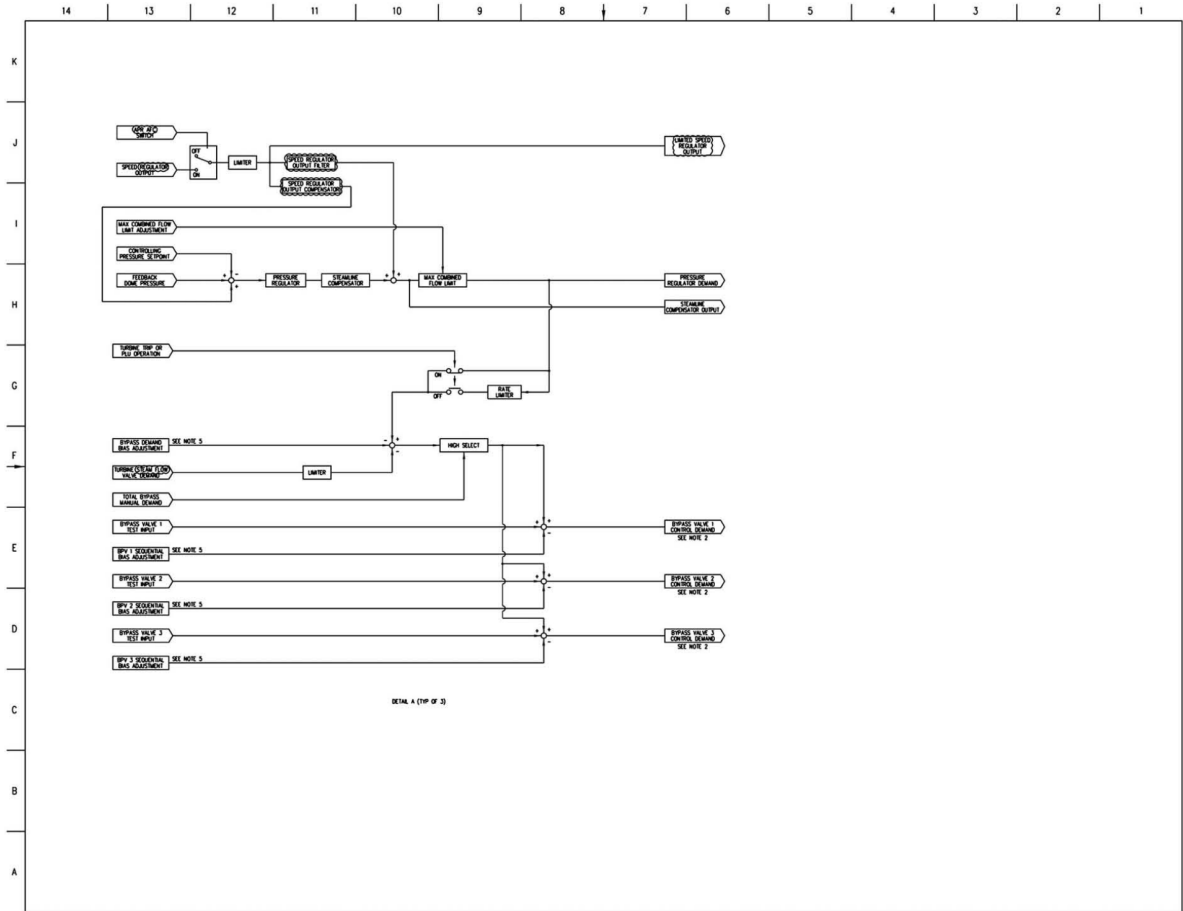


Figure 7.7-12 – Steam Bypass and Pressure Control System IED (Sheet 2 of 2)

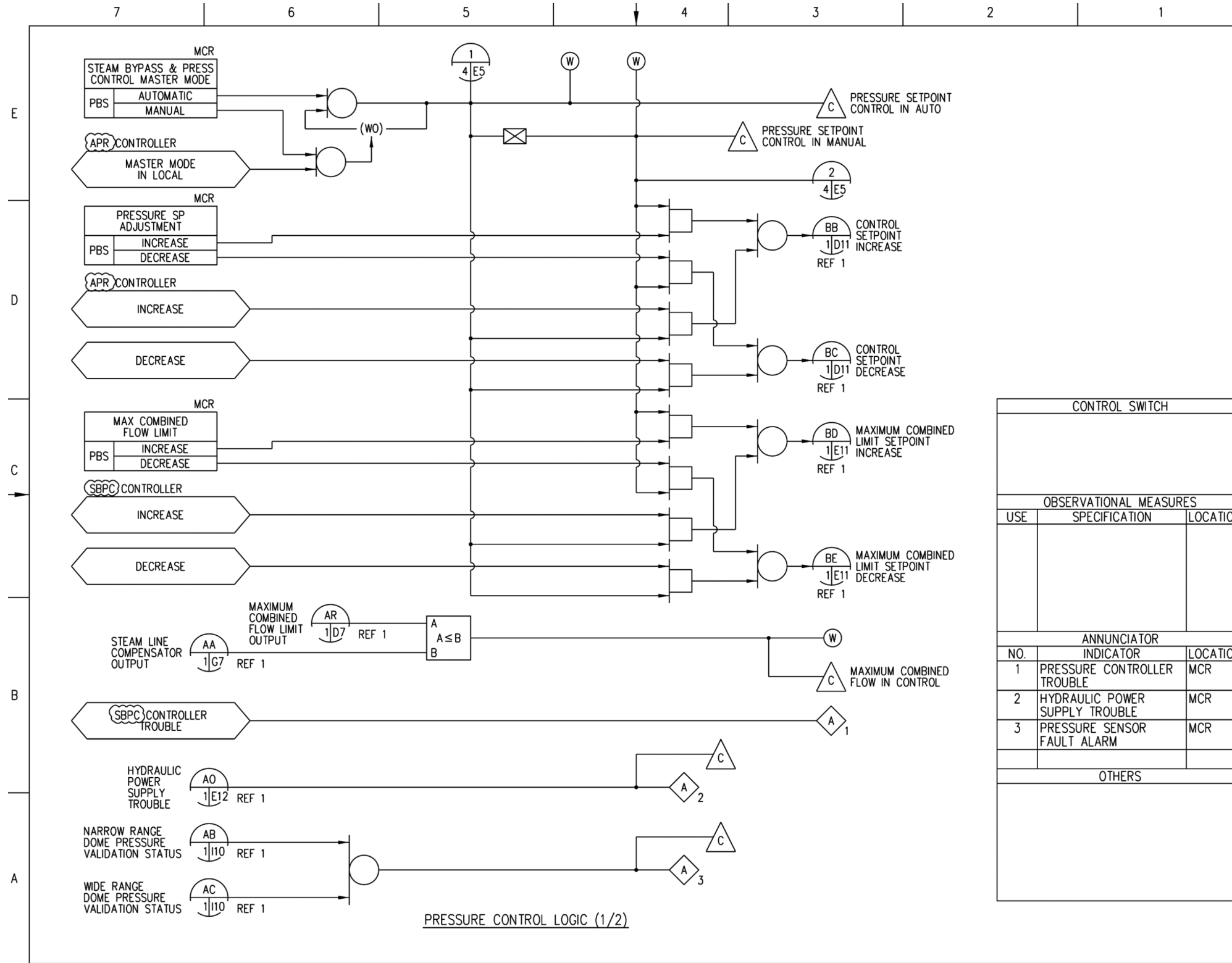


Figure 7.7-13 – Steam Bypass and Pressure Control System IBD (Sheet 2 of 5)

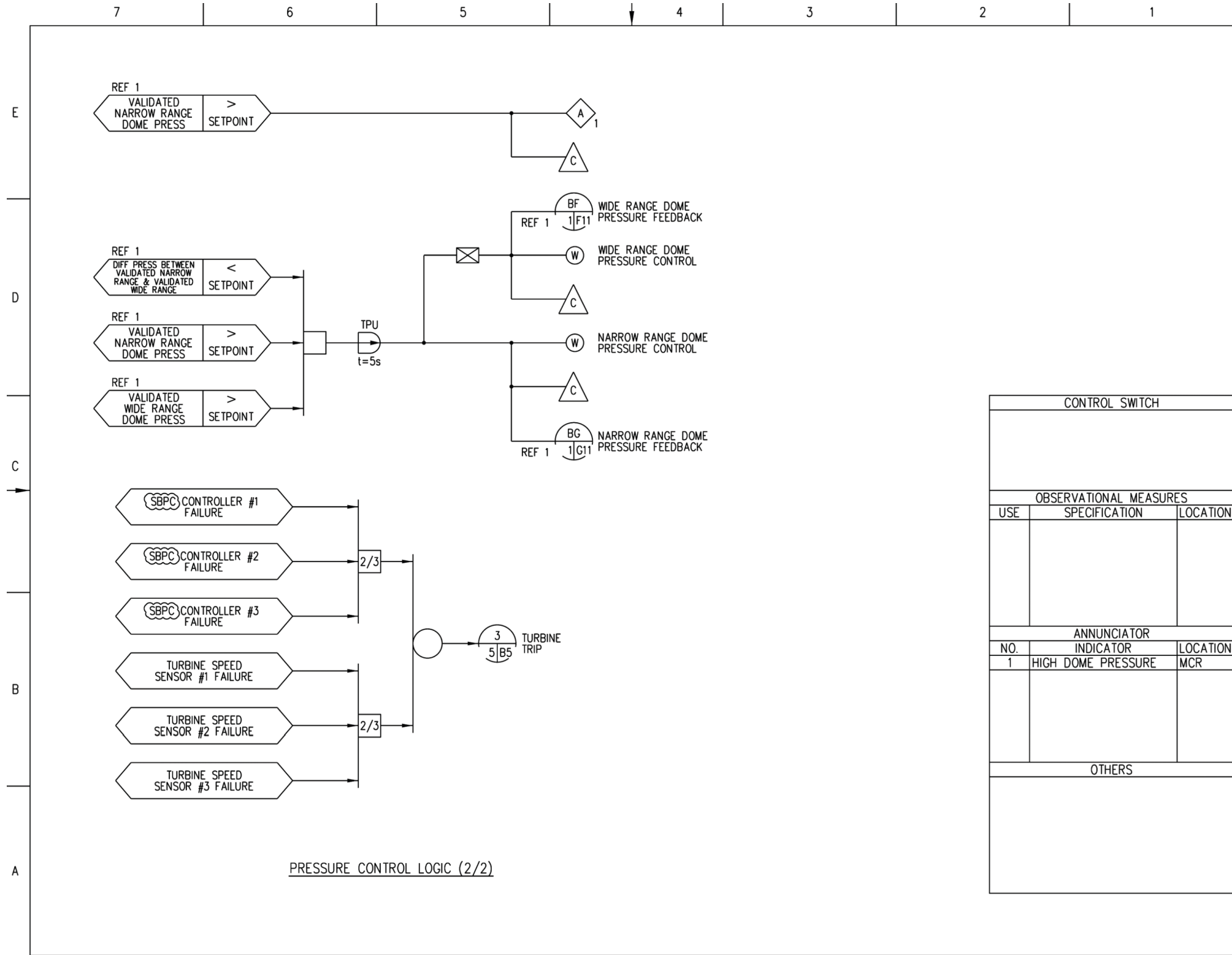


Figure 7.7-13 – Steam Bypass and Pressure Control System IBD (Sheet 3 of 5)

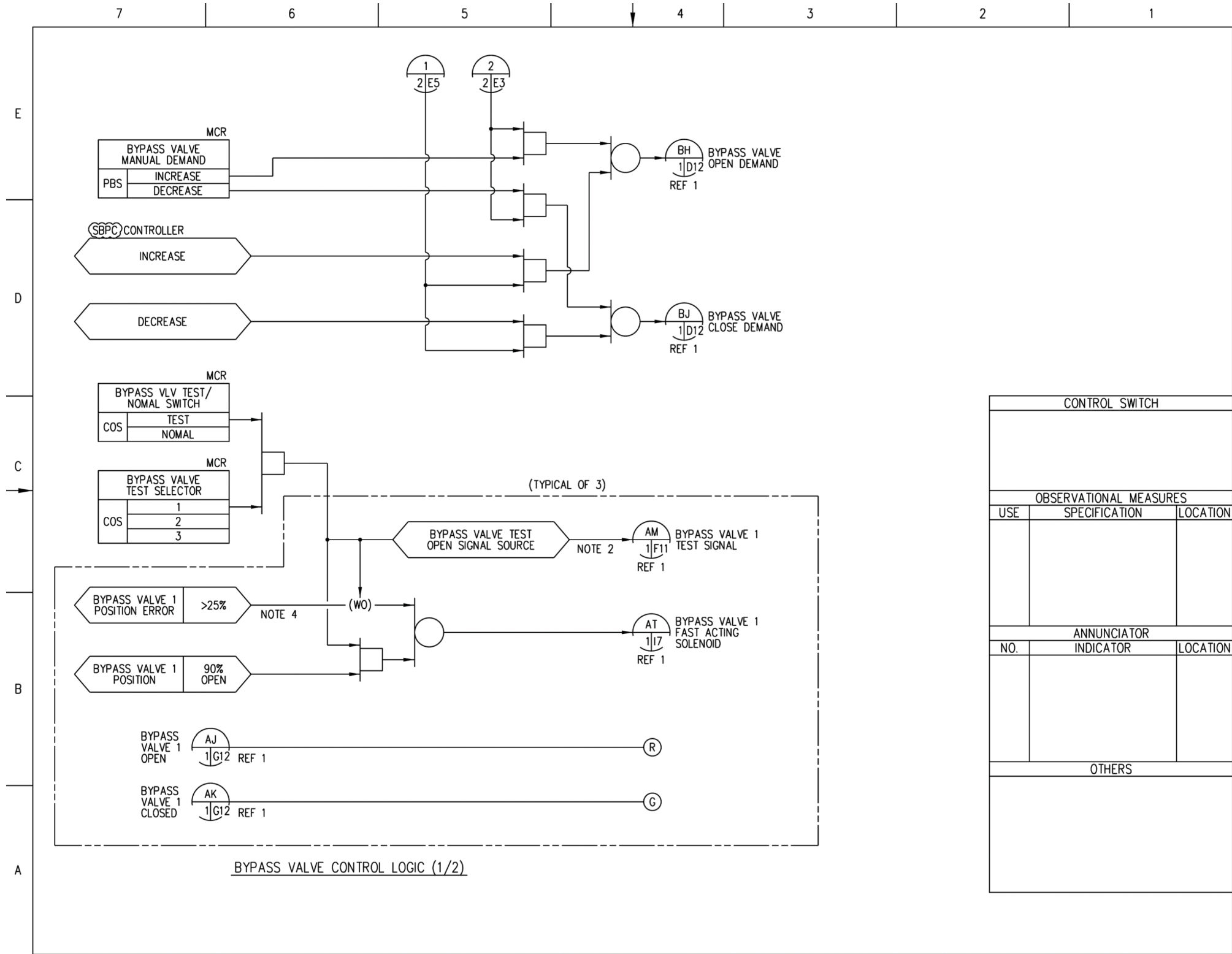
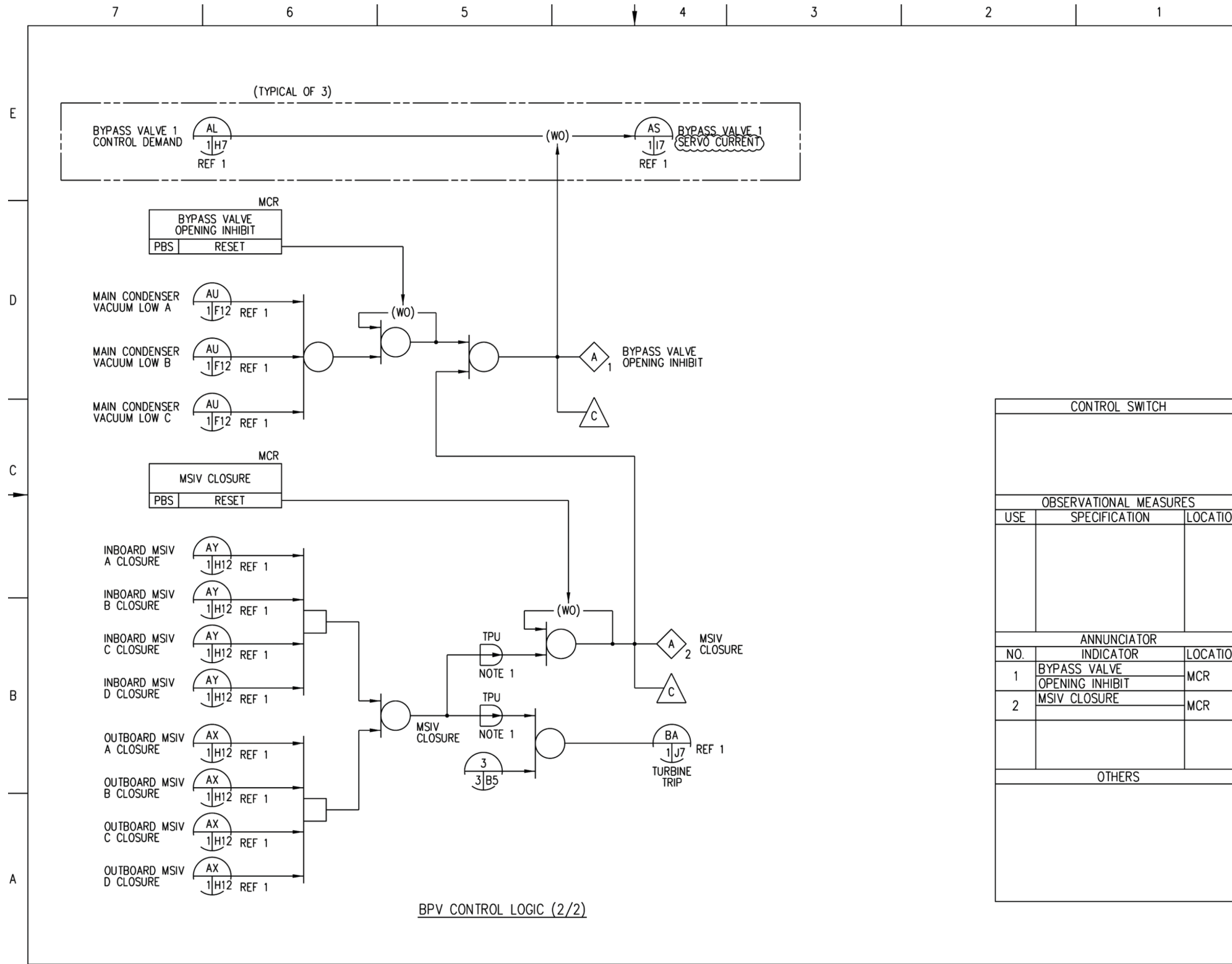


Figure 7.7-13 – Steam Bypass and Pressure Control System IBD (Sheet 4 of 5)



CONTROL SWITCH		
OBSERVATIONAL MEASURES		
USE	SPECIFICATION	LOCATION
ANNUNCIATOR		
NO.	INDICATOR	LOCATION
1	BYPASS VALVE OPENING INHIBIT	MCR
2	MSIV CLOSURE	MCR
OTHERS		

Figure 7.7-13 – Steam Bypass and Pressure Control System IBD (Sheet 5 of 5)



PROPRIETARY INFORMATION

Figure 8.2-1 – Power Distribution Routing Diagram (Sheet 1 of 7)



PROPRIETARY INFORMATION

Figure 8.2-1 – Power Distribution Routing Diagram (Sheet 2 of 7)



PROPRIETARY INFORMATION

Figure 8.2-1 – Power Distribution Routing Diagram (Sheet 3 of 7)



PROPRIETARY INFORMATION

Figure 8.2-1 – Power Distribution Routing Diagram (Sheet 4 of 7)



PROPRIETARY INFORMATION

Figure 8.2-1 – Power Distribution Routing Diagram (Sheet 5 of 7)



PROPRIETARY INFORMATION

Figure 8.2-1 – Power Distribution Routing Diagram (Sheet 6 of 7)



Figure 8.2-1 – Power Distribution Routing Diagram (Sheet 7 of 7)

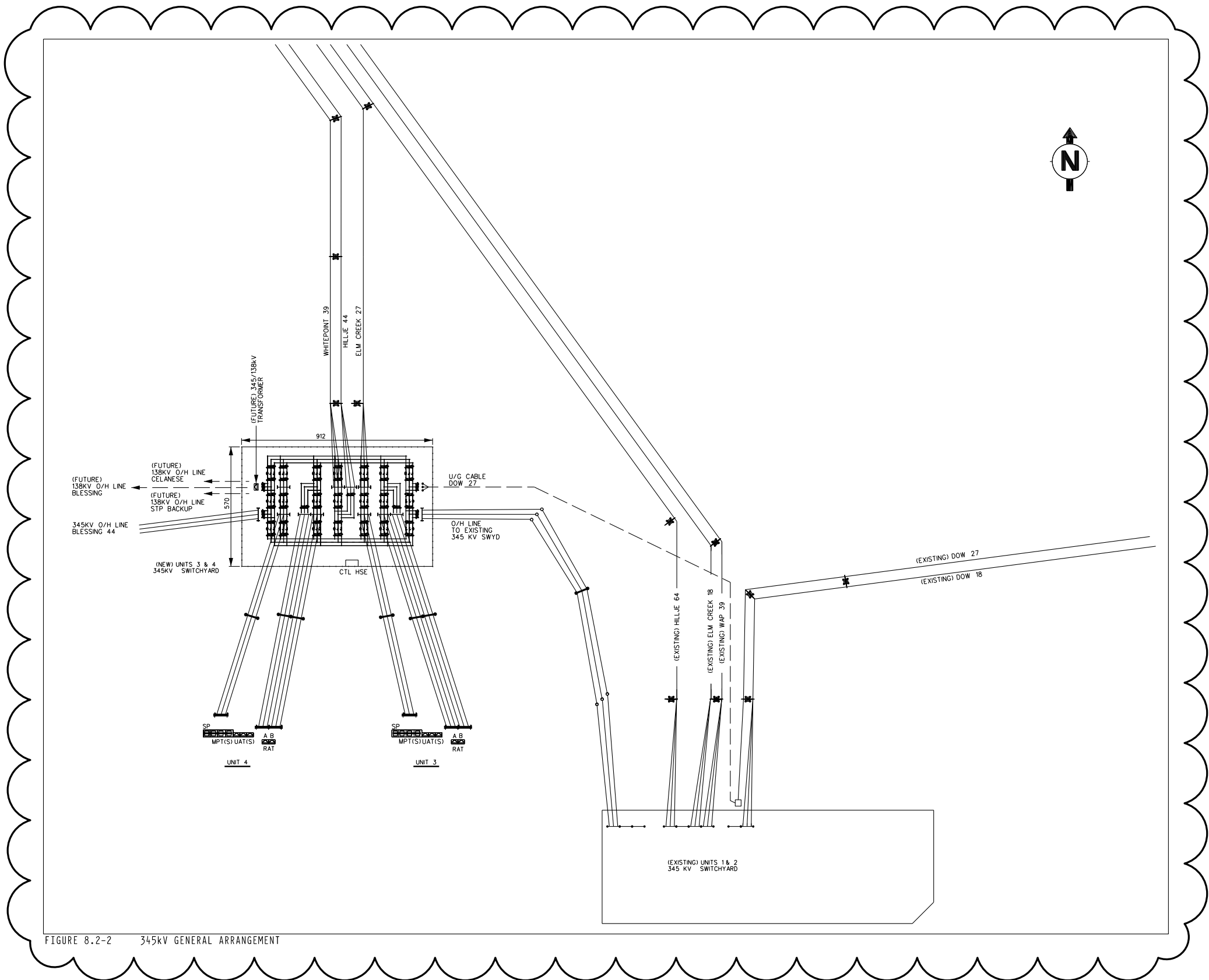


FIGURE 8.2-2 345KV GENERAL ARRANGEMENT

Figure 8.2-2 – 345 kV General Arrangement

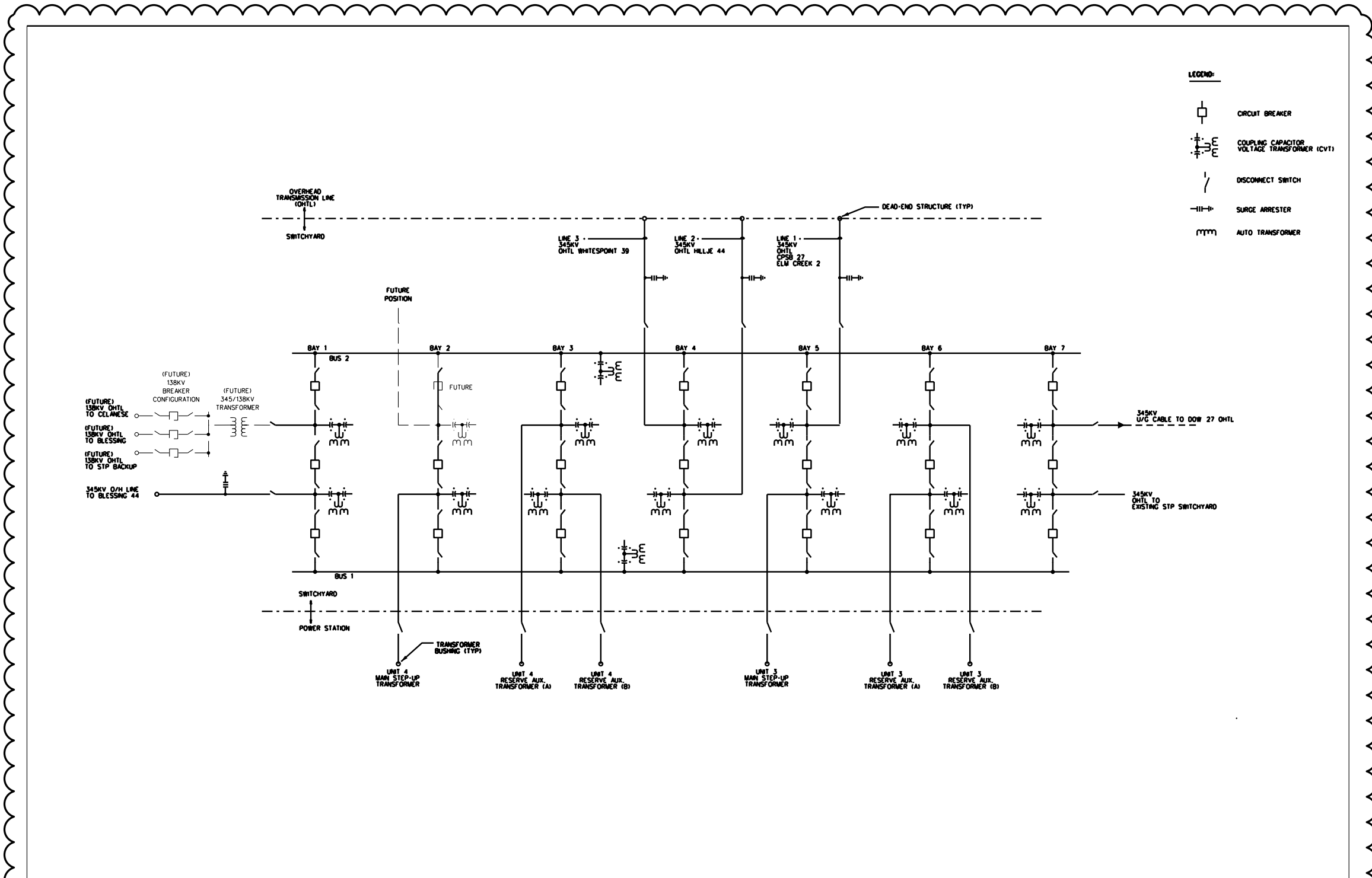


FIGURE 8.2-3 345kV SWITCHYARD SINGLE LINE DIAGRAM

Figure 8.2-3 – 345 kV Switchyard Single Line Diagram

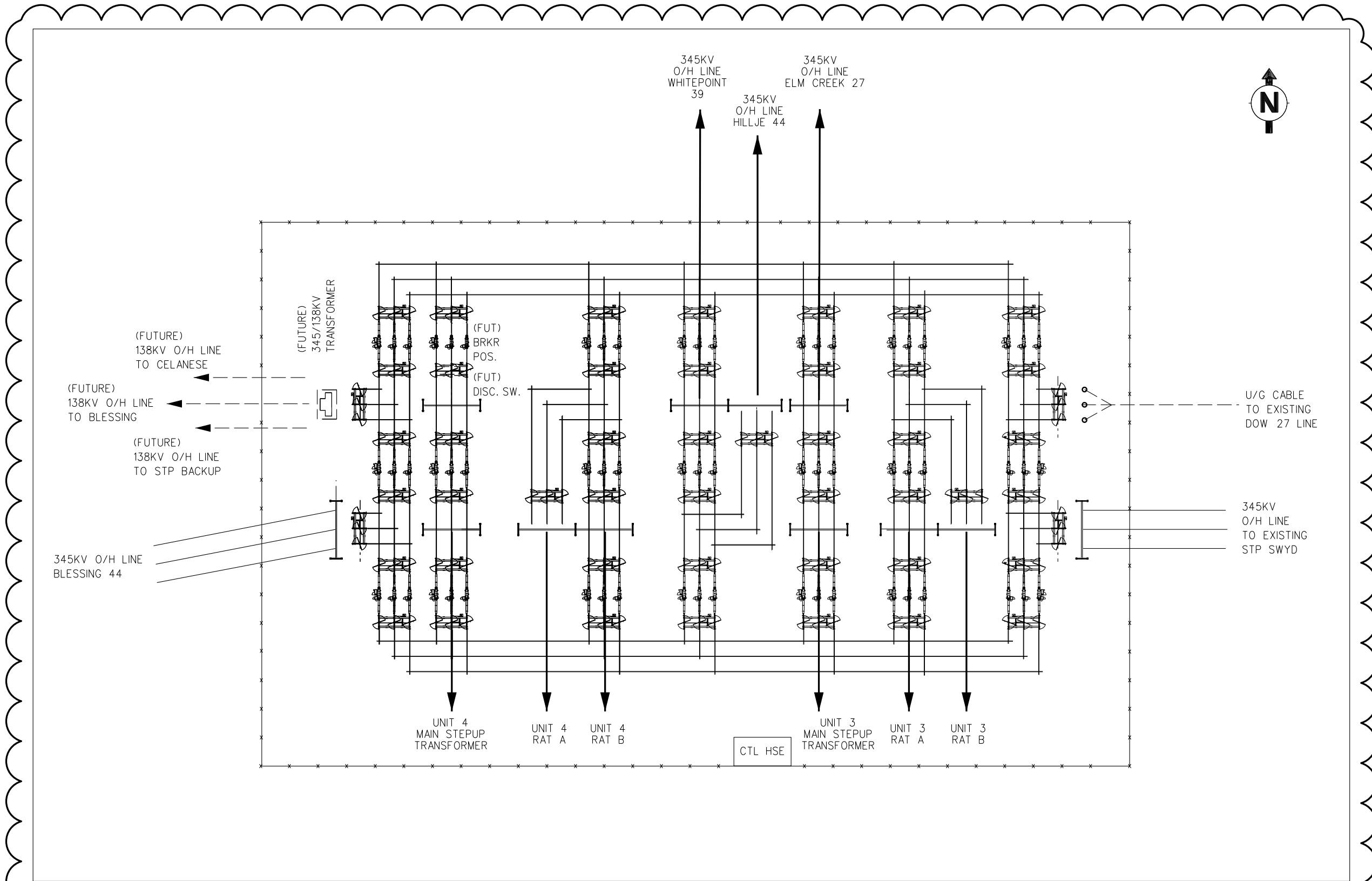


FIGURE 8.2-4 345kV SWITCHYARD ARRANGEMENT

Figure 8.2-4 – 345 kV Switchyard Arrangement

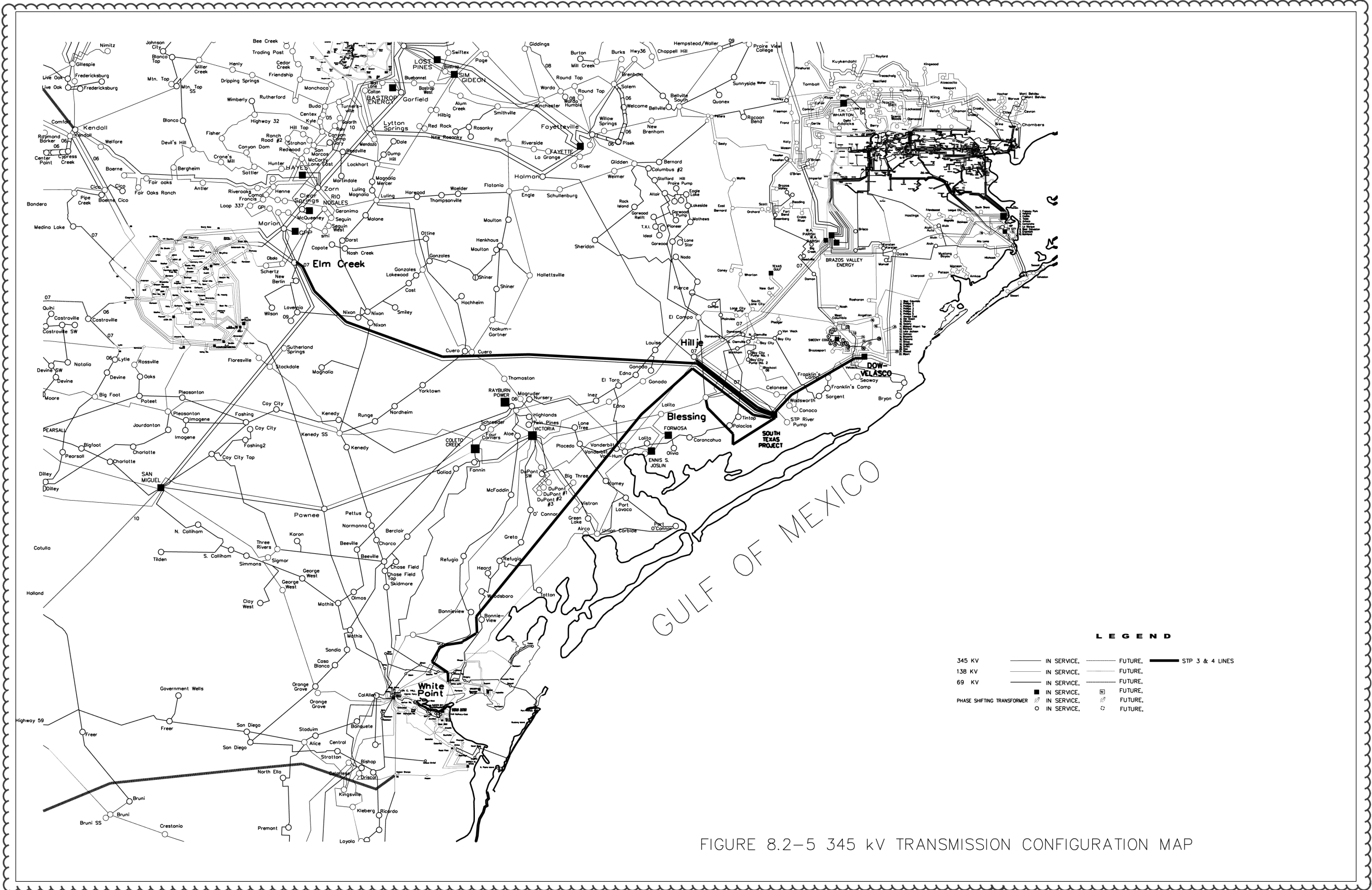


FIGURE 8.2-5 345 kV TRANSMISSION CONFIGURATION MAP

Figure 8.2-5 – 345 kV Transmission Configuration Map

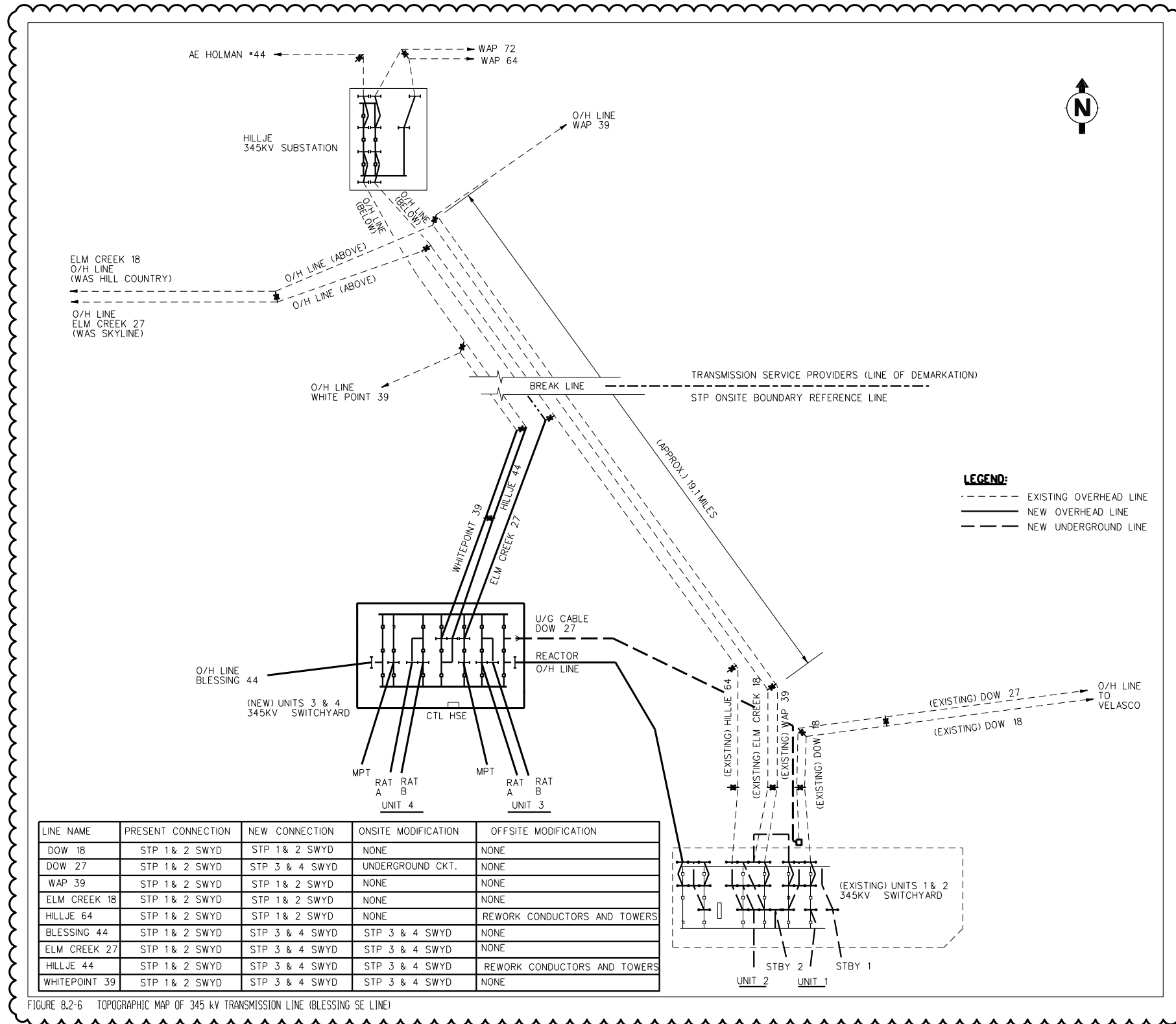


FIGURE 8.2-6 TOPOGRAPHIC MAP OF 345 kV TRANSMISSION LINE (BLESSING SE LINE)

Figure 8.2-6 – Topographic Map of 345 kV Transmission Line (Blessing SE Line)

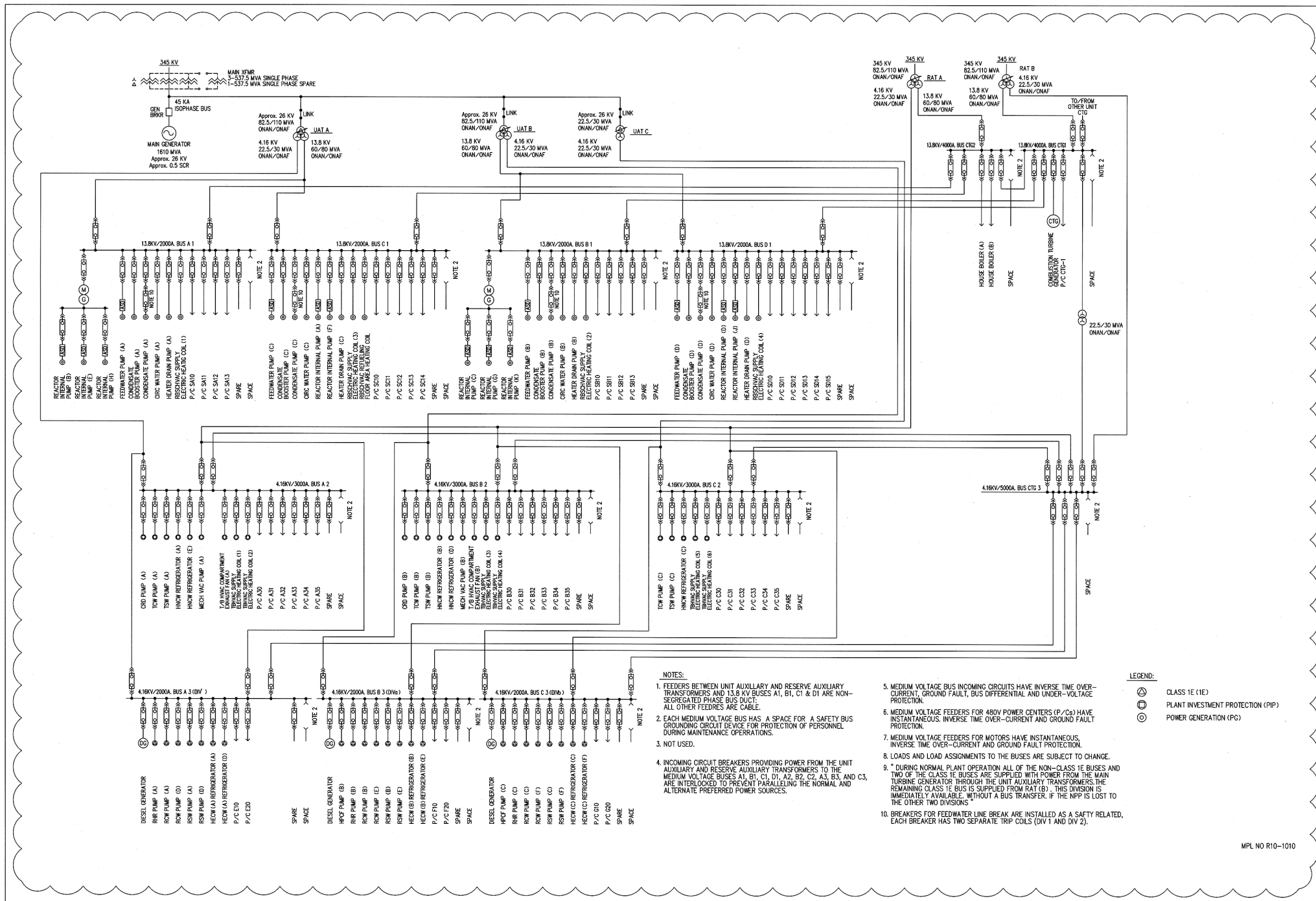


Figure 8.3-1 – Electrical Power Distribution System Single Line Diagram (Sheet 1 of 4)

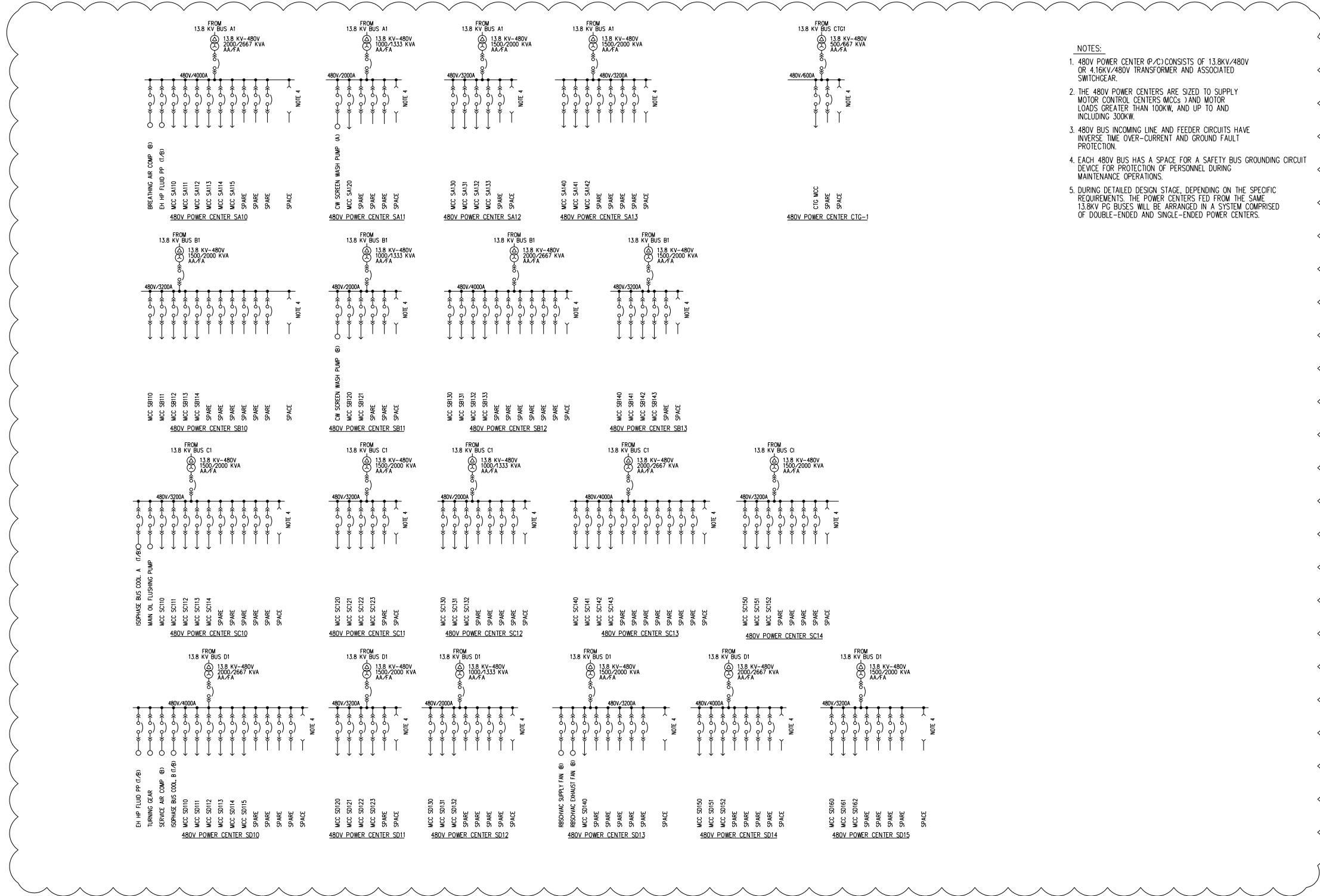


Figure 8.3-1 – Electrical Power Distribution System Single Line Diagram (Sheet 2 of 4)

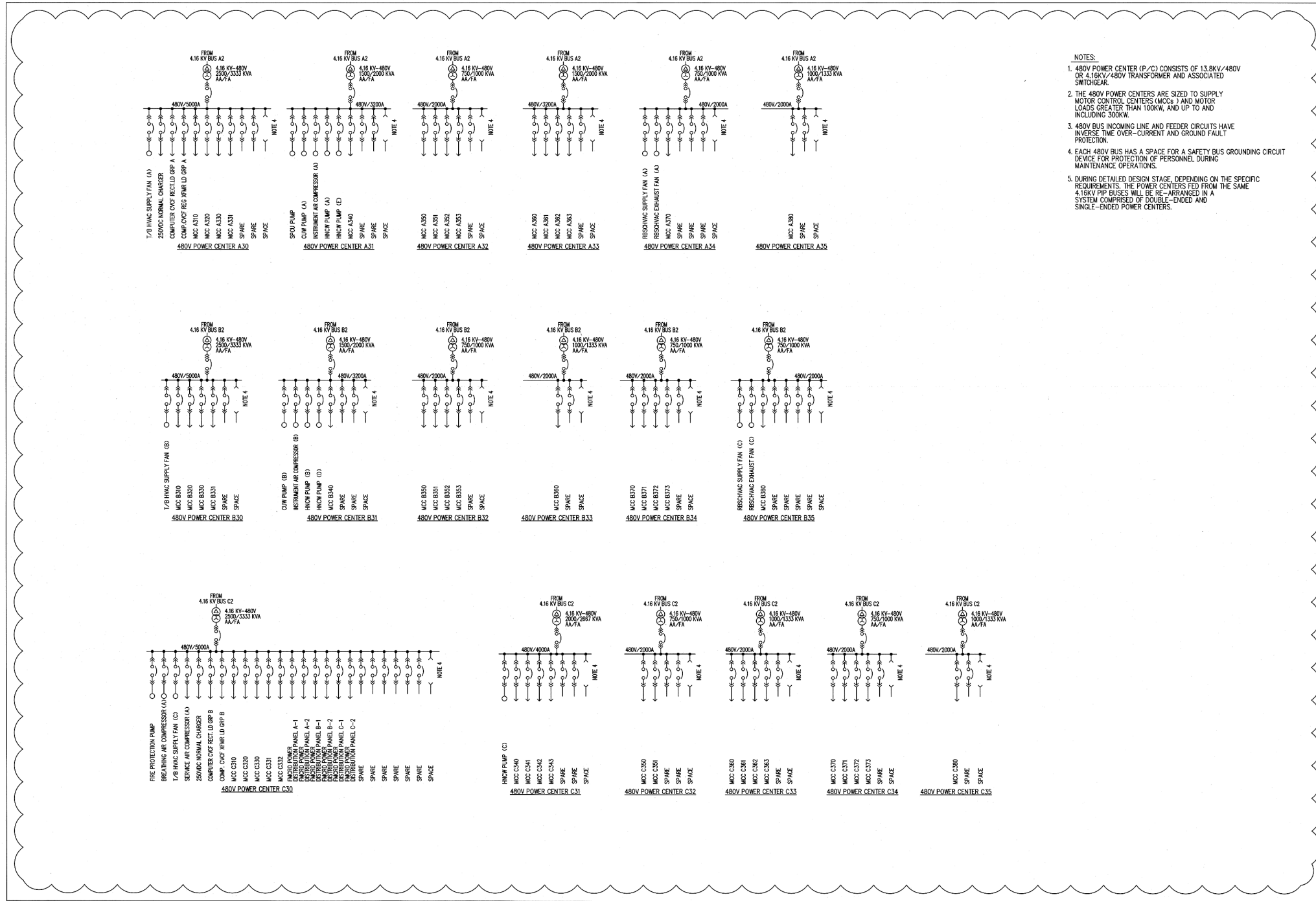


Figure 8.3-1 – Electrical Power Distribution System Single Line Diagram (Sheet 3 of 4)

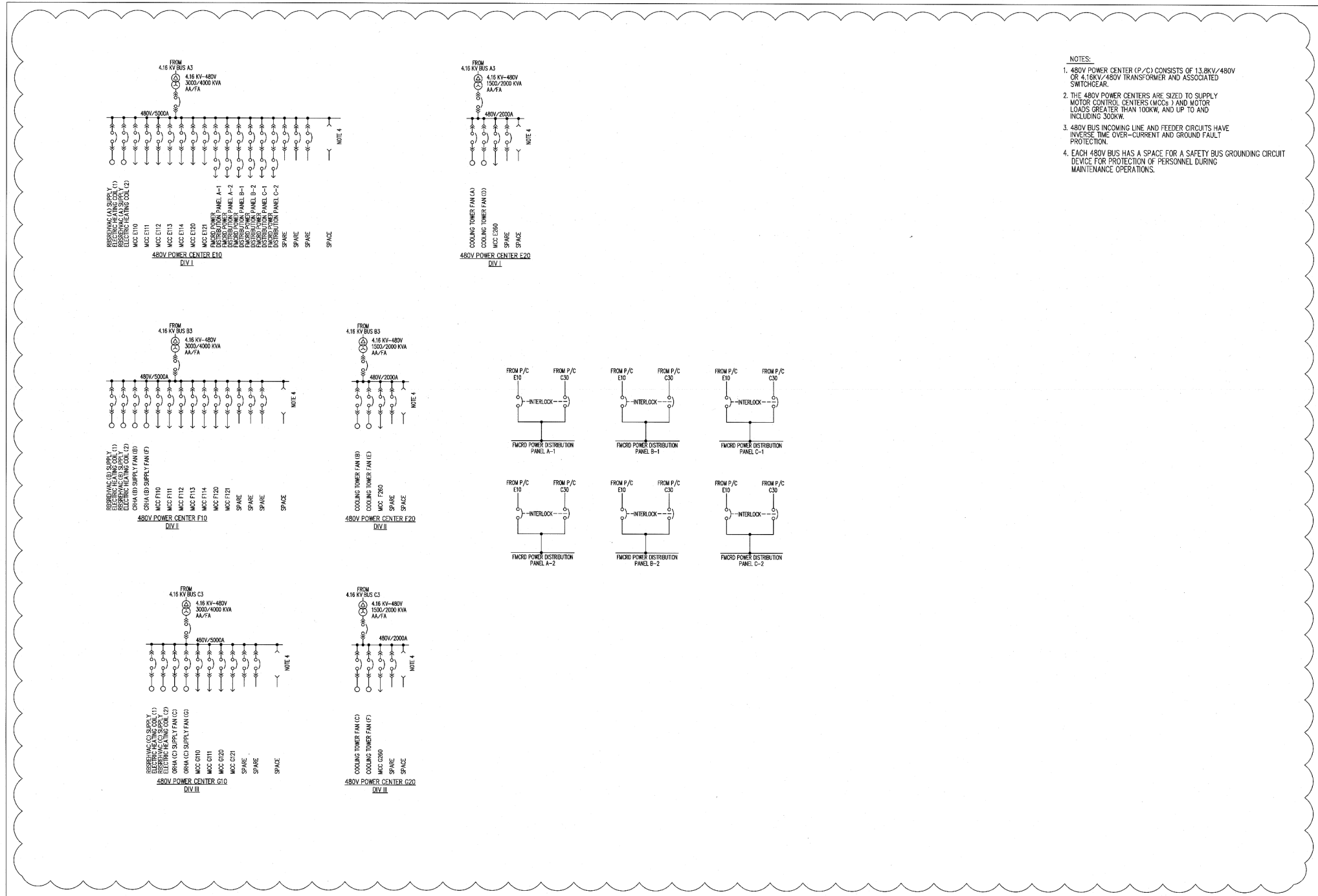


Figure 8.3-1 – Electrical Power Distribution System Single Line Diagram (Sheet 4 of 4)

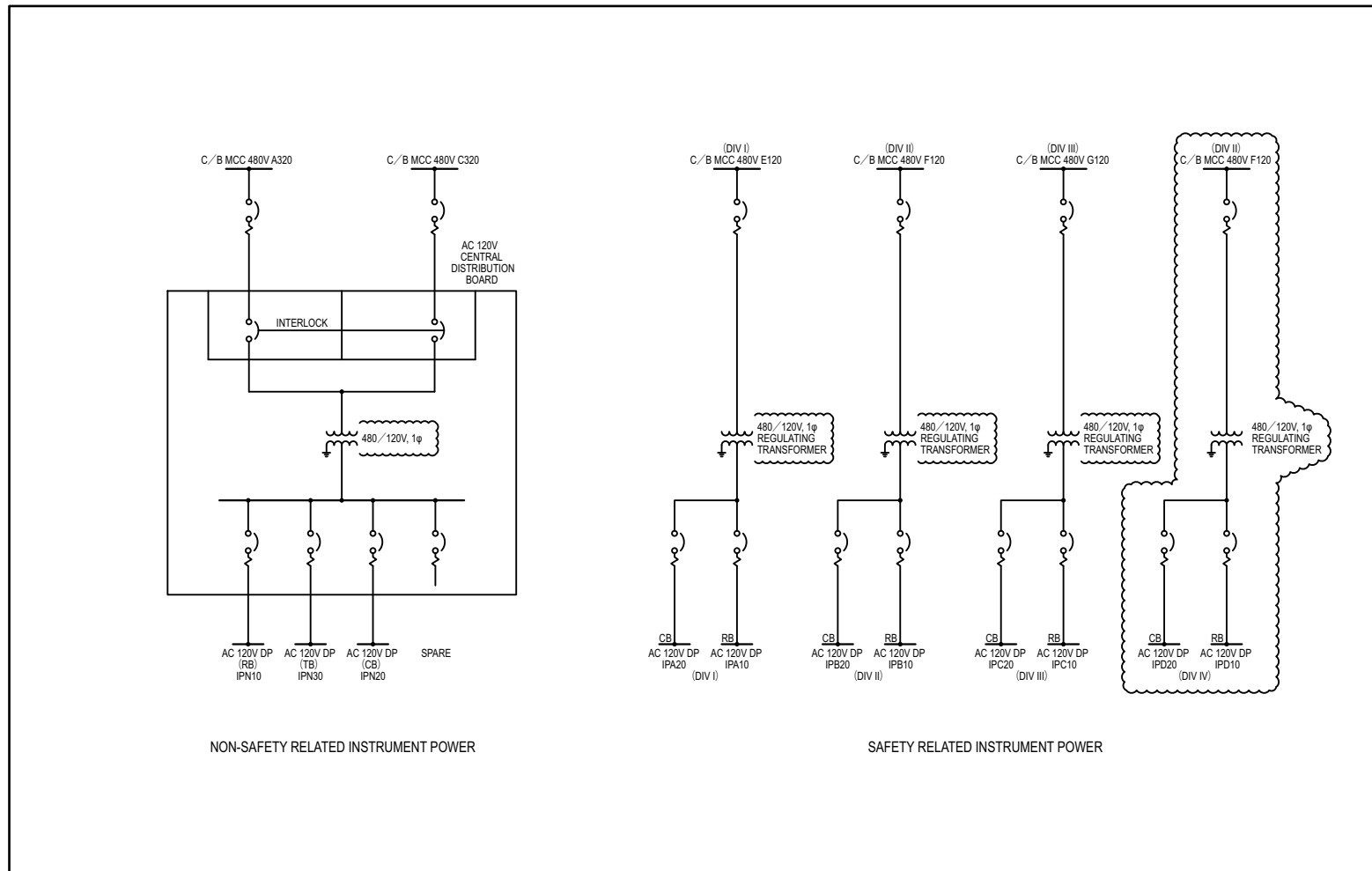


Figure 8.3-2 – Instrument and Control Power Supply System Single Line Diagram (Sheet 1 of 1)