

Security-Related Information – Withheld Under 10 CFR 2.390

Figure 1-1. APR1400 NI Common Basemat Plan View at El. 55'-0"

Security-Related Information – Withheld Under 10 CFR 2.390

(a) RCB Area Basemat

Security-Related Information – Withheld Under 10 CFR 2.390

(b) AB Area Basemat

Figure 1-2. APR1400 NI Common Basemat Section View (E-W View)

Security-Related Information – Withheld Under 10 CFR 2.390

(a) RCB Area Basemat

Security-Related Information – Withheld Under 10 CFR 2.390

(b) AB Area Basemat

Figure 1-3. APR1400 NI Common Basemat Section View (N-S View)

APR1400 - Generic Site Profiles

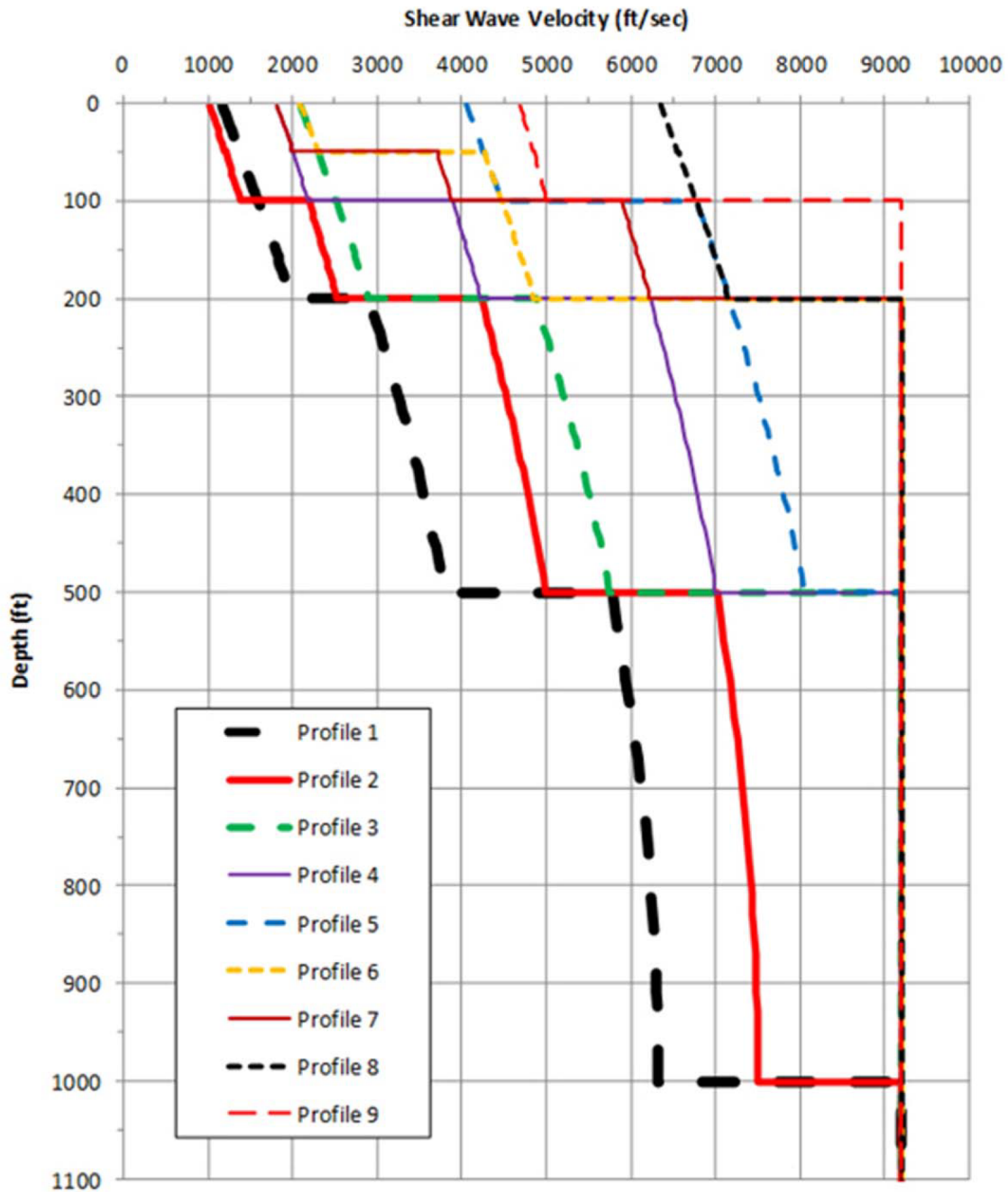


Figure 2-1. Shear Wave Velocity of Generic Site Categories

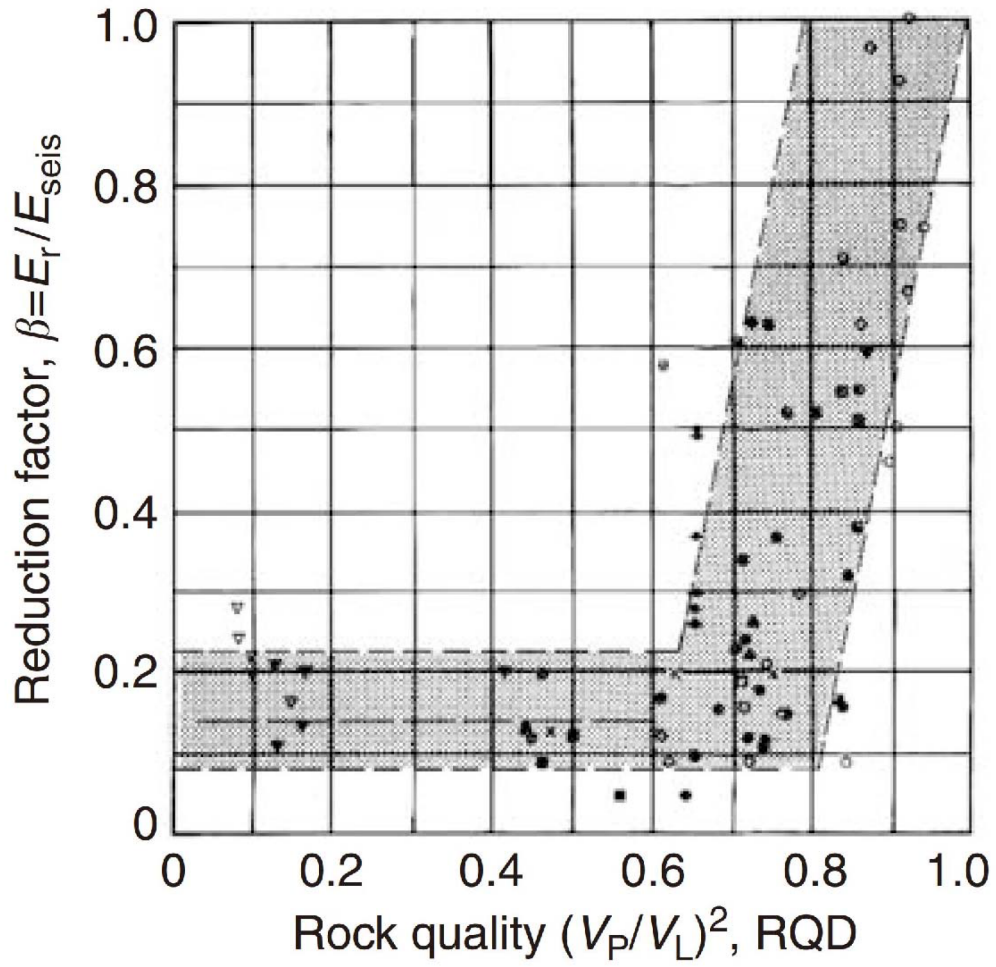
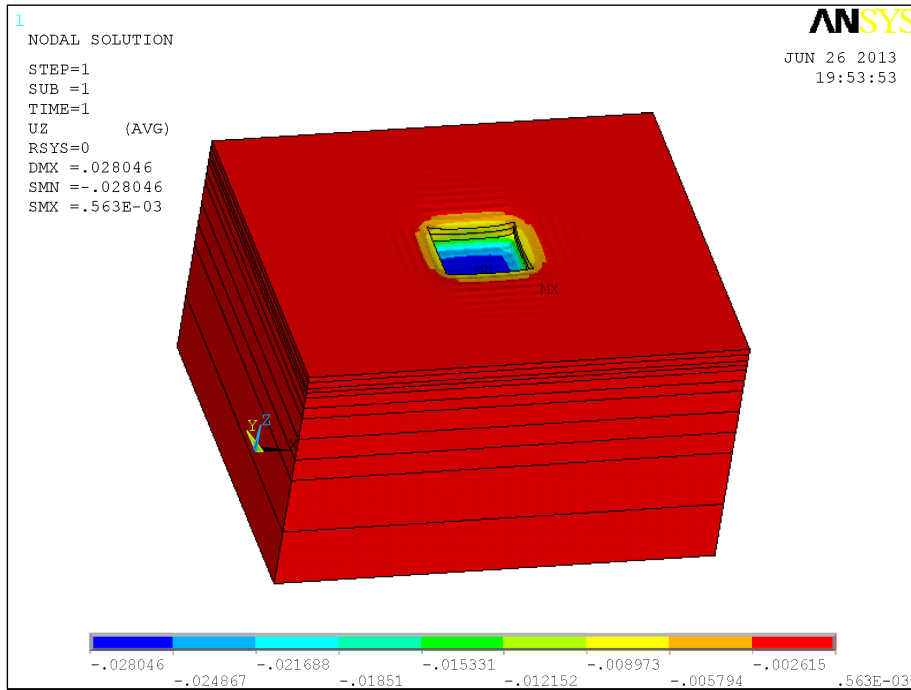
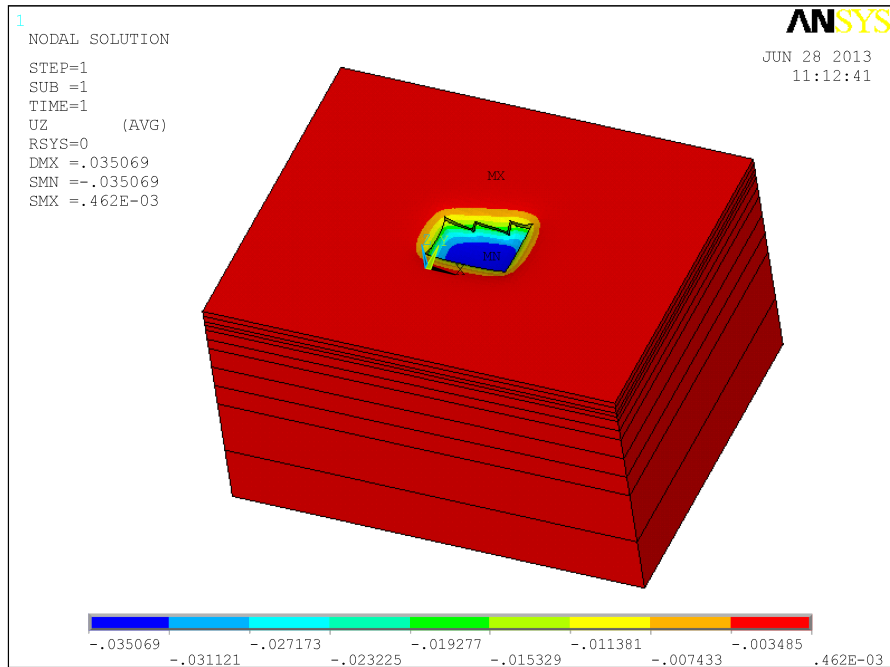


Figure 2-2. Relationship between the Static and Dynamic Elastic Moduli (E_{static} and $E_{dynamic}$) (Reference [14])



(a) NI Basemat



(b) TGB Basemat

Figure 2-3. Deformation Contour of the Ground Model