

## **Attachment 3**

**WCAP-17256-NP, Revision 6 (Non-Proprietary)**

Westinghouse Non-Proprietary Class 3

WCAP-17256-NP  
Revision 6

September 2013

# **STP Unit 3 ABWR Prototype Reactor Internals Flow- Induced Vibration Assessment Program**



WESTINGHOUSE NON-PROPRIETARY CLASS 3

This page left intentionally blank.

WESTINGHOUSE NON-PROPRIETARY CLASS 3

**WCAP-17256-NP**  
**Revision 6**

**STP Unit 3 ABWR Prototype Reactor Internals Flow-  
Induced Vibration Assessment Program**

**Karen K. Fujikawa\***  
Global BWR Engineering

**September 2013**

Reviewers: Bradley F. Maurer\*  
Safety Analysis & Licensing

Subhash Chandra\*  
ABWR Engineering and Operations

Approved: Nirmal K. Jain\*, Manager  
ABWR Engineering and Operations

\*Electronically approved records are authenticated in the electronic document management system.

---

Westinghouse Electric Company LLC  
1000 Westinghouse Drive  
Cranberry Township, PA 16066

© 2013 Westinghouse Electric Company LLC  
All Rights Reserved

This page left intentionally blank.

**TABLE OF CONTENTS**

1 INTRODUCTION ..... 1-1

1.1 OVERVIEW ..... 1-1

1.1.1 Purpose of CVAP..... 1-1

1.1.2 Classification ..... 1-1

1.2 CVAP COMPONENTS..... 1-2

1.2.1 Vibration and Fatigue Analysis Program Overview ..... 1-2

1.2.2 Measurement Program Overview ..... 1-2

1.2.3 Inspection Program Overview ..... 1-3

1.2.4 Evaluation Program Overview..... 1-3

1.3 TEST CONDITIONS ..... 1-4

1.3.1 Preoperational Testing ..... 1-4

1.3.2 Pre-Critical Testing with Fuel..... 1-5

1.3.3 Startup Tests ..... 1-6

1.4 TEST DURATION ..... 1-7

1.5 REFERENCES FOR SECTION 1 ..... 1-8

2 SUMMARY ..... 2-1

2.1 BASIS FOR ASSESSING STRESS MARGIN ..... 2-1

2.1.1 Endurance Limit ..... 2-1

2.2 CALCULATED FATIGUE MARGINS ..... 2-2

2.3 REFERENCES FOR SECTION 2 ..... 2-4

3 DESCRIPTION OF THE STRUCTURAL ASSEMBLIES ..... 3-1

3.1 CORE SUPPORT STRUCTURES..... 3-3

3.1.1 Core Shroud ..... 3-3

3.1.2 Shroud Support ..... 3-4

3.1.3 Control Rod Guide Tubes (CRGT)..... 3-5

3.1.4 Core Plate and Fuel Supports..... 3-6

3.1.5 Top Guide ..... 3-8

3.2 REACTOR INTERNALS..... 3-10

3.2.1 Feedwater Spargers..... 3-10

3.2.2 Low Pressure Flooder Spargers ..... 3-11

3.2.3 HPCF Sparger and Coupling ..... 3-12

3.2.4 Core Plate (CP) and RIP DP Lines ..... 3-13

3.2.5 Lower Guide Rods..... 3-16

3.2.6 Shroud Head Bolts ..... 3-17

3.2.7 Shroud Head Lifting Rods/Lugs ..... 3-18

3.2.8 RIP Guide Rails ..... 3-19

3.2.9 Shroud Head and Separator Assembly ..... 3-20

3.2.10 Steam Dryer ..... 3-21

3.3 CONTROL ROD DRIVE AND IN-CORE MONITORING HOUSING..... 3-22

3.3.1 Control Rod Housing ..... 3-22

3.3.2 In-Core Monitoring Housing System/In-Core Guide Tube Stabilizer  
(ICMH/ICGT)..... 3-23

3.4	OTHER COMPONENTS .....	3-25
3.4.1	Specimen Holder.....	3-25
3.4.2	Reactor Vessel Upper Head Spray Nozzle .....	3-26
3.5	REFERENCES FOR SECTION 3.....	3-27
4	NON-DRYER FORCING FUNCTIONS .....	4-1
4.1	ANALYSIS CASES .....	4-1
4.1.1	Selection of Analysis Cases for Structural Analysis.....	4-1
4.1.2	Basis for Selections of Analysis Cases .....	4-2
4.1.3	Biases and Uncertainties .....	4-3
4.2	LOCAL VELOCITY DETERMINATION .....	4-4
4.2.1	Downcomer Region .....	4-4
4.2.2	Lower Plenum Region Velocities .....	4-4
4.2.3	Top Guide, Shroud Head, and Separators.....	4-5
4.2.4	Bias Errors and Uncertainties .....	4-6
4.3	FORCING FUNCTIONS - METHODOLOGY .....	4-8
4.3.1	Vortex Shedding and Turbulence Buffeting Loads .....	4-8
4.3.2	Pump-Induced Pulsation Loads .....	4-8
4.4	FORCING FUNCTIONS .....	4-9
4.4.1	Large Components in the Downcomer Region.....	4-9
4.4.2	Small Components in the Downcomer Region.....	4-9
4.4.3	Components in the Lower Plenum.....	4-9
4.4.4	Components Above the Core.....	4-9
4.4.5	Pump Pulsation Loads .....	4-10
4.5	REFERENCES FOR SECTION 4.....	4-12
5	STRUCTURAL RESPONSES – NON-DRYER COMPONENTS.....	5-1
5.1	MODAL ANALYSIS .....	5-1
5.1.1	Methods .....	5-1
5.1.2	Modal Analysis Results .....	5-2
5.1.3	Biases and Uncertainties .....	5-4
5.2	STRESS ANALYSIS .....	5-5
5.2.1	Load Application and Other Inputs.....	5-5
5.2.2	Stress Evaluation.....	5-6
5.2.3	Acceptance Criteria.....	5-6
5.2.4	Stress Results .....	5-6
5.2.5	Biases and Uncertainties.....	5-7
5.3	REFERENCES FOR SECTION 5.....	5-8
6	STEAM DRYER QUALIFICATION .....	6-1
6.1	APPROACH - OVERVIEW.....	6-1
6.2	OPERATING EXPERIENCE .....	6-4
6.3	ELIMINATION OF ACOUSTIC RESONANCE .....	6-8
6.3.1	Design Modification .....	6-8
6.3.2	Subscale Test .....	6-9
6.4	DRYER STARTUP INSTRUMENTATION .....	6-11

---

6.4.1	Finite Element Model .....	6-12
6.4.2	Instrumentation Locations .....	6-15
6.5	STRUCTURAL EVALUATION USING RJ-ABWR STARTUP DATA.....	6-24
6.6	STEAM DRYER POWER ASCENSION PLAN.....	6-25
6.7	CONCLUSIONS .....	6-27
6.8	REFERENCES FOR SECTION 6.....	6-29
7	ACCEPTANCE CRITERIA FOR CVAP TEST DATA .....	7-1
7.1	BASES FOR ACCEPTANCE CRITERIA.....	7-1
7.2	REFERENCES FOR SECTION 7.....	7-2
8	EVALUATION PLAN .....	8-1
8.1	ADJUSTMENTS BETWEEN MEASURED AND PEAK STRESS LOCATIONS .....	8-1
8.2	ADJUSTMENTS BETWEEN MEASURED AND CALCULATED OPERATING CONDITIONS.....	8-1
8.3	ADJUSTMENTS DUE TO EFFECTS OF BIASES AND UNCERTAINTIES .....	8-1
9	CONCLUSIONS .....	9-1

This page left intentionally blank.

---

## LIST OF TABLES

Table 1.3.1-1 Preoperational Test Conditions .....	1-4
Table 1.3.2-1 Pre-critical Test Conditions .....	1-5
Table 1.3.3-1 Startup Test Plan.....	1-6
Table 2.2-1 Design Fatigue Margins for STP 3 Non-Dryer Reactor Internals .....	2-3
Table 4.1.1-1 Selected Analysis Cases for STP Unit 3.....	4-1
Table 5.1.2-1 Component Lowest Natural Frequency .....	5-3
Table 6.2-1 [ ..... ] <sup>a,c</sup> .....	6-5
Table 6.2-2 Comparison of Dimensions Between STP, RJ-ABWR, and J-ABWR Dryers.....	6-6
Table 6.2-3 Comparison of the Operational Parameters Between STP, RJ-ABWR and J-ABWR.....	6-7
Table 6.4.1-1 Comparison of RJ-ABWR Hammer Test and STP Modal Analysis Results .....	6-14
Table 6.4.2.1-1 PT Locations.....	6-16
Table 6.4.2.2-1 Strain Gage Locations .....	6-20
Table 6.4.2.3-1 Accelerometer Locations .....	6-23

This page left intentionally blank.

**LIST OF FIGURES**

Figure 3-1 ABWR Reactor Internal Component Arrangement .....3-2

Figure 3.1.1-1 RPV and Core Shroud Assembly .....3-3

Figure 3.1.2-1 RPV and Shroud Support Assembly .....3-4

Figure 3.1.3-1 CRGT, and CRD Housing Assembly .....3-5

Figure 3.1.4-1 Core Plate .....3-6

Figure 3.1.4-2 Fuel Supports .....3-7

Figure 3.1.5-1 Top Guide.....3-8

Figure 3.1.5-2 Installation of Top Guide .....3-9

Figure 3.2.1-1 FW Sparger (Taken from Reference 3-2).....3-10

Figure 3.2.2-1 LPFL Sparger Assembly .....3-11

Figure 3.2.3-1 HPCF Sparger and Coupling Assembly .....3-12

Figure 3.2.4-1 CP DP Line .....3-14

Figure 3.2.4-2 RIP DP Line .....3-15

Figure 3.2.5-1 Guide Rod Assembly .....3-16

Figure 3.2.6-1 Shroud Head Bolts .....3-17

Figure 3.2.7-1 Shroud Head Lifting Rods/Lugs .....3-18

Figure 3.2.8-1 RIP Guide Rails.....3-19

Figure 3.2.9-1 Shroud Head and Separator Assembly .....3-20

Figure 3.2.10-1 Steam Dryer .....3-21

Figure 3.3.2-1 In-Core Monitor Assembly .....3-23

Figure 3.3.2-2 In-Core Guide Tube Stabilizer .....3-24

Figure 3.4.1-1 Specimen Holder.....3-25

Figure 3.4.2-1 Vessel Head Spray Nozzle and Vent.....3-26

Figure 6.3-1 Modified Stand Pipe Design .....6-8

Figure 6.3.2-1 [ ]<sup>a,c</sup> .....6-10

Figure 6.4.1-1 Steam Dryer FEM .....6-12

Figure 6.4.2.1-1 PT Locations [ ]<sup>a,c</sup> ...6-17

Figure 6.4.2.1-2 PT Locations [ ]<sup>a,c</sup> .....6-18

Figure 6.4.2.2-1 Strain Gage Locations [ ]<sup>a,c</sup> .....6-21

Figure 6.4.2.2-2 Strain Gage Locations [ ]<sup>a,c</sup> .....6-22

Figure 6.4.2.3-1 Accelerometer Locations.....6-23

This page left intentionally blank.

---

## LIST OF ACRONYMS

ABWR	Advanced Boiling Water Reactor
APRM	Average Power Range Monitor
ASB	Acoustic Side Branch
ATIP	Automated Traversing In-core Probe
BWR	Boiling Water Reactor
CFD	Computational Fluid Dynamics
CP	Core Plate
CR	Control Rod
CRD	Control Rod Drive
CRDH	Control Rod Drive Housing
CRGT	Control Rod Guide Tube
CVAP	Comprehensive Vibration Assessment Program
DCD	Design Control Document
DP	Differential Pressure
ECCS	Emergency Core Cooling System
EPU	Extended Power Uprate
ERV	Electromatic Relief Valve
FEM	Finite Element Model
FIV	Flow-Induced Vibration
FMCRD	Fine Motion Control Rod Drive
FW	Feedwater
HPCF	High Pressure Core Flooder
ICGT	In-core Guide Tube
ICM	In-core Monitoring
ICMGT	In-core Monitor Guide Tube
ICMH	In-core Monitor Housing
IGSCC	Intergranular Stress Corrosion Cracking
J-ABWR	Japanese ABWR
LPFL	Low Pressure Flooder
LPRM	Local Power Range Monitor
LSR	Lower Support Ring
LTP	Licensed Thermal Power
LVDT	Linear Variable Differential Transformer
MSIV	Main Steam Isolation Valve
MSL	Main Steam Line
NDE	Nondestructive Examination
NRC	U.S. Nuclear Regulatory Commission
OLTP	Original Licensed Thermal Power
PORV	Pilot Operated Relief Valve
PRNM	Power Range Neutron Monitoring
PSD	Power Spectral Density
PT	Pressure Transducer
RFCS	Recirculation Flow Control System

---

RG	Regulatory Guide
RHR	Residual Heat Removal
RIP	Reactor Internal Pump
RJ-ABWR	Reference Japanese ABWR
RPV	Reactor Pressure Vessel
RMS	Root Mean Square
SCF	Stress Concentration Factor
SG	Strain Gage
SMT	Scale Model Test
SRNM	Startup Range Neutron Monitoring
SRSS	Square Root Sum of the Squares
SRV	Safety Relief Valve
STP	South Texas Project
TSVC	Turbine Stop Valve Closure
USR	Upper Support Ring

ANSYS, ANSYS Workbench, AUTODYN, CFX, FLUENT and any and all ANSYS, Inc. brand, product, service and feature names, logos and slogans are registered trademarks or trademarks of ANSYS, Inc. or its subsidiaries in the United States or other countries. All other brand, product, service and feature names or trademarks are the property of their respective owners.

---

## EXECUTIVE SUMMARY

The South Texas Project Unit 3 (STP Unit 3) nuclear power plant is the first Advanced Boiling Water Reactor (ABWR) constructed in the U.S. ABWRs have been successfully operating since 1996 in Japan; there are four similar ABWRs currently operating in Japan and two more units are under construction in Japan. In addition, two other ABWRs are under construction in Taiwan.

U.S. NRC Regulatory Guide (RG) 1.20, Comprehensive Vibration Assessment Program for Reactor Internals during Preoperational and Initial Startup Testing (Reference 1-1), provides guidance for the comprehensive vibration assessment program (CVAP) for nuclear power plants during preoperational and initial startup testing. The program is intended to demonstrate that the reactor internals are adequately designed to withstand flow-induced vibration (FIV) forces at normal and transient plant operating conditions for the design life of the plant. The latest revision (Revision 3, March 2007) of RG 1.20 contains additional requirements based on recent BWR experiences with the steam dryers. STP Unit 3 is designated as a prototype plant. Kashiwazaki-Kariwa Unit 6, herein referred to as the reference Japanese ABWR (RJ-ABWR), commenced successful commercial operation in 1996 and went through extensive testing to show that the reactor internals are adequately designed to withstand FIV loads. Since reactor internals in STP Unit 3 are the same as the RJ-ABWR internals, the results of the RJ-ABWR preoperational and startup tests are used as a guide to establish the CVAP for STP Unit 3.

The elements of the CVAP are (a) a vibration and fatigue analysis program, (b) a measurement program, (c) an inspection program, and (d) an evaluation program. This report provides an overview of the STP Unit 3 CVAP.

The vibration and fatigue analysis program is divided into two parts: the non-dryer reactor internals and the steam dryer. The vibration and fatigue analysis program for the non-dryer reactor internals includes the determination of the FIV forcing functions, modal analysis, and assessment of uncertainties and biases associated with the analyses. The forcing functions were developed using various methods, such as Computational Fluid Dynamics (CFD) or simplified analyses. The predictive stress analyses have been performed for the non-dryer components and are documented in WCAP-17371-P, "South Texas Project Units 3 and 4 Reactor Internals Non-Dryer Component Flow-Induced Vibration Assessment." (Reference 1-2)

The vibration and fatigue analysis program for the dryer is documented in WCAP-17385-P, "STP Unit 3 Steam Dryer Flow-Induced Vibration Assessment." (Reference 2-7) The structural adequacy of the dryer for LTP conditions is primarily established by excellent operational experience of plants the same as STP in configuration and operational parameters. These plants have operated for a number of years without any evidence of dryer structural degradation as evidenced by inspection results that found no indications. These dryers have not been repaired for any reason so far. Additional confirmation of the dryer structural adequacy will be provided by extensively instrumenting the STP Unit 3 dryer during initial power ascension tests. Actual STP Unit 3 data will be used to calculate dryer loads at 60% power where dryer loads are expected to be approximately [ ]<sup>a,c</sup> the full power condition. Dryer stress analyses will be performed at 60% power to show that stresses are below the endurance limit. Limit curves will be developed at higher power levels and it will be shown analytically that stresses are below the endurance limit. An additional measure undertaken by STP to provide further confirmation that dryer stresses will be below the endurance limit, involves design changes [ ]<sup>a,c</sup> at power levels beyond LTP condition. This further

minimizes the dryer load and helps assure lower dryer stresses. Thus, the approach used to qualify the steam dryer is based mainly on the [

] <sup>a,c</sup>

The vibration and fatigue analysis program for the reactor internals components summarized in this report demonstrates that the reactor internals are adequately designed to withstand FIV forces and satisfy the guidelines of RG 1.20, Revision 3.

The STP Unit 3 measurement and inspection programs are described in WCAP-17370-P, "South Texas Project Unit 3 Comprehensive Vibration Assessment Program Measurement, Test, and Inspection Plan." (Reference 1-3) This report describes the vibration and stress measurement program, which includes preoperational and startup testing and an inspection program. The measurement program consists of instrumenting selected internal components with vibration sensors that include strain gages, accelerometers, Linear Variable Differential Transformers (LVDTs) (to measure displacement) and dynamic pressure transducers, and collecting and analyzing the data at selected plant operating conditions during pre-operational testing (prior to fuel load) and during initial plant startup (power ascension after fuel load). Redundancy is accounted for in selecting the instrumentation. The collected data will be compared to allowable vibratory stress limits to determine if the stress levels are acceptable for long term operation of the plant.

The inspection program requires inspection of the reactor vessel internals before and after pre-operational testing to confirm structural integrity of the reactor vessel internals to withstand FIV with no damage to reactor internals or loose parts resulting from the testing.

The evaluation program plan is briefly described in Section 8 of this report. The evaluation will occur after the data is collected during the preoperational and startup test measurement and inspection programs and will be documented in a separate report.

The Comprehensive Vibration Assessment Program (CVAP) of the first U.S. ABWR plant described in this report satisfies the guidelines of RG 1.20, Revision 3 for a prototype plant. The program for plants subsequent to the prototype U.S. ABWR plant will satisfy the guidelines for a Non-prototype, Category I plant.

---

# 1 INTRODUCTION

## 1.1 OVERVIEW

The purpose of this report is to describe the methodologies and results of an FIV evaluation of the reactor vessel internal components for STP Unit 3. A CVAP was developed and will be implemented for STP Unit 3 reactor vessel internals in accordance with RG 1.20 Revision 3 (Reference 1-1). A description of the STP Unit 4 CVAP is contained in Reference 1-5.

### 1.1.1 Purpose of CVAP

The purpose of the CVAP is to demonstrate that the STP Unit 3 reactor has acceptable FIV characteristics, and that the supporting FIV analysis methodology is accurate for predicting the STP 3 FIV responses. The CVAP described here is in compliance with the guidelines of RG 1.20, Revision 3 (Reference 1-1). The CVAP will demonstrate that the reactor internal components will accommodate the steady state and transient vibratory loads expected throughout the lifetime service of the plant. The STP Unit 3 CVAP consists of four separate programs:

- Vibration and Fatigue Analysis Program,
- Measurement Program,
- Inspection Program, and
- Evaluation Program.

### 1.1.2 Classification

Under RG 1.20, Revision 3, the STP Unit 3 reactor is categorized as a prototype reactor since it represents a first-of-a-kind design that has not previously been validated by a similar reactor design in the U.S. RG 1.20, Revision 3 requires a several-step process for verifying the FIV characteristics of a prototype reactor. These steps are described in Section 1.2.

## 1.2 CVAP COMPONENTS

The purpose of the CVAP is to verify the structural integrity of the reactor internals to flow-induced vibration prior to commercial operation. The STP Unit 3 CVAP consists of four separate programs as described in Subsection 1.1.1.

### 1.2.1 Vibration and Fatigue Analysis Program Overview

A vibration and fatigue analysis is performed for the non-dryer components prior to testing to demonstrate that the FIV characteristics are acceptable. Analysis should include the pressure fluctuations and vibration expected during steady state and transient conditions that are expected to be encountered during pre-operational, initial start-up, and normal operation. This analysis has been performed for STP Unit 3 for the bounding analysis cases for the reactor internal components. Details of the methods and results of the non-steam dryer reactor internals components are reported in a separate document, WCAP-17371-P (Reference 1-2).

For the steam dryer, the approach to show the structural adequacy of the dryer due to FIV loads is based primarily on plant operating experience for ABWRs operating in Japan and design modifications [

J<sup>a,c</sup>

The evaluation of the transient loads will be performed as part of the design calculations that include the evaluation of Service Levels, A, B, C, and D load combinations. For example, the transient condition analysis will include the evaluation of the turbine stop valve closure (TSVC) load on the steam dryer. The transient loads (e.g., TSVC) are short in duration with a limited number of cycles and the resulting loads can produce minimal incremental fatigue usage. These transient loads are not steady state vibratory loads. The TSVC load will be evaluated and documented in the ASME Design Report.

A summary of the vibration and fatigue analysis program is provided in Section 2.

### 1.2.2 Measurement Program Overview

A Measurement Program is required in which instrumentation is applied to selected reactor internal components which are subjected to higher stresses during operation. The purpose of the Measurement Program is to demonstrate that the reactor internal components have acceptable stress levels during steady state and transient operating conditions, and to show that for the non-dryer components the FIV prediction methods are accurate in estimating stress levels in the components. For the dryer, the measurement program will include instrumentation on the dryer and generation of limit curves from 60% to 100% power in 10% power increments.

A selected set of internal components will be instrumented with strain gages, accelerometers, pressure transducers, and displacement measurement devices. Measurements on the non-dryer components will be done prior to fuel load and measurements on the dryer will be obtained during the initial plant startup. Details of the Measurement Program for STP Unit 3 are reported in a separate document, WCAP-17370-P (Reference 1-3).

---

### **1.2.3 Inspection Program Overview**

An Inspection Program is required in which a comprehensive set of inspections of the reactor internal components is carried out prior to and after pre-operational testing. The Inspection Program will examine and document the condition of mating surfaces of the reactor internals at all critical interfaces. Specific locations will be inspected for evidence of contact and wear for effects of vibration. These locations include contact and potential contact surfaces between the major load bearing components, highly stressed locations identified in the analysis program, specific welds, and CVAP instrumentation housing, mounting, and conduits. These inspections will be performed prior to fuel load. The Inspection Program will also cover the inspection of the dryer components after completion of the first cycle of operation. Details of the Inspection Program for STP Unit 3 are reported in a separate document, WCAP-17370-P (Reference 1-3).

### **1.2.4 Evaluation Program Overview**

An Evaluation Program will be performed after completion of the pre-operational testing for the non-dryer components. The evaluation of the steam dryer will occur after completion of the initial startup (power ascension). The evaluation will compare measured strains, displacements, and dynamic pressures against predicted values for the CVAP tests. This comparison will provide an assessment of the accuracies of the FIV prediction methodology. It will also provide a comparison with acceptance criteria for the measured parameters and demonstrate that the FIV characteristics for STP Unit 3 are acceptable. Any significant difference between predicted and measured response will be assessed and reconciled.

### 1.3 TEST CONDITIONS

Testing will be performed in three phases: preoperational testing, pre-critical testing (after fuel load but prior to achieving reactor criticality), and initial startup testing. Preoperational flow testing will be performed prior to fuel load. Pre-critical testing will be performed after fuel load, but before reactor criticality, and initial startup testing will be performed during power ascension. Justification for test conditions is provided in Reference 1-4. More detailed test conditions will be prepared in the future as the plant startup test procedures become available.

#### 1.3.1 Preoperational Testing

Preoperational testing will be conducted prior to fuel loading with all internal components installed with the exception of fuel assemblies, in-core instrumentation, and the steam dryer. The selected steady state and transient test conditions for preoperational testing are listed in Table 1.3.1-1. [

] <sup>a,c</sup>

**Table 1.3.1-1 Preoperational Test Conditions**

Item	Test Condition	No. of RIPs On		Notes
		Start	End	

The planned test duration is a few days. The duration of the test will be such that the lowest natural frequency component will accumulate  $10^6$  cycles to reach the endurance limit. Therefore, the resulting vibratory cycles are in excess of  $10^6$  cycles for vibration of major reactor internal components at their lowest dominant response frequencies.

### 1.3.2 Pre-Critical Testing with Fuel

Pre-critical testing will be performed with fuel prior to reactor criticality with all components installed and reactor assembly complete. The selected test conditions for Pre-critical testing are listed in Table 1.3.2-1.

**Table 1.3.2-1 Pre-critical Test Conditions**

Item	Test Condition	No. of RIPs On		Notes*
		Start	End	

a,c

### 1.3.3 Startup Tests

Startup tests will be performed with fuel in place and reactor assembly complete in all respects and after the reactor has achieved criticality. The first startup testing at power is planned after the reactor reaches normal operating temperature and pressure and rod line between approximately 50% and 75%, and at 100%. The selected test conditions for startup testing are listed in Table 1.3.3-1.

**Table 1.3.3-1 Startup Test Plan**

Item	Test Condition	No. of RIPs On		Notes
		Start	End	

a.c

---

## 1.4 TEST DURATION

Reference 1-1 requires that the reactor internal components must accumulate a minimum of  $10^6$  cycles of vibration during the CVAP tests. Based on a bounding lower limit for major internal component fundamental frequency of [ ]<sup>c</sup> from Section 5, Table 5.1.2-1, the components will require a minimum of [ ]<sup>c</sup> hours of test time to assure all internal components will reach at least  $10^6$  cycles.

---

## 1.5 REFERENCES FOR SECTION 1

- 1-1 U.S. NRC Regulatory Guide 1.20, Rev. 3, "Comprehensive Vibration Assessment Program for Reactor Internals during Preoperational and Initial Startup Testing," March 2007.
- 1-2 Westinghouse Report, WCAP-17371-P, Revision 7, "South Texas Project Units 3 and 4 Reactor Internals Non-Dryer Component Flow-Induced Vibration Assessment," September 2013. (Proprietary)
- 1-3 Westinghouse Report, WCAP-17370-P, Revision 7, "South Texas Project Unit 3 Comprehensive Vibration Assessment Program, Measurement, Test and Inspection Plan," September 2013. (Proprietary)
- 1-4 XGEN Engineering Document, XGEN-2010-04R1, Rev. 1, "Justification for the Proposed Test and Analysis Plan for STP Unit 3," 11/17/2010. (Proprietary)
- 1-5 Westinghouse Report, WCAP-17257-P, Revision 5, "STP Unit 4 Reactor Internals Flow-Induced Vibration Assessment Program," September 2013. (Proprietary)

## **2 SUMMARY**

### **2.1 BASIS FOR ASSESSING STRESS MARGIN**

#### **2.1.1 Endurance Limit**

The ABWR DCD (Reference 2-1, Section 3.9.2.1.1.3) specifies an endurance limit of 9.95 ksi (68.6 MPa) for allowable vibration displacements/deflections. The calculated stress results due to FIV shall be equal to or lower than this established endurance limit. This limit does not need to be adjusted to Young's Modulus at different temperatures (Reference 2-5).

This limit is lower than the "endurance limit" indicated in ASME B&PV Code, Section 3 (Reference 2-2) fatigue curve. If Curve C for austenitic steels (Reference 2-2, Fig. I-9.2.2) is used, the ASME "endurance limit" is 13.6 ksi. In this report, the term endurance limit, fatigue limit, and allowable stress are used interchangeably and refer to 9.95 ksi (68.6 MPa).

---

## 2.2 CALCULATED FATIGUE MARGINS

Dynamic loading conditions or flow-induced vibrations produce cyclical stresses in the components. Reference 2-4 requires that a fatigue analysis be performed to show that the components will not suffer excessive fatigue damage. A measure of the fatigue margin for a given component is provided by the ratio of the peak alternating stress divided by the endurance limit of 9.95 ksi for the component, or:

$$\text{Fatigue margin} = (\text{Peak Alternating Stress}) / (\text{Endurance Limit } 9.95 \text{ ksi})$$

Table 2.2-1 presents the fatigue margins for the reactor internal components based on bounding operating conditions. Details are provided in Reference 2-3.

For the dryer, the stress ratio, SR, is defined as  $SR = (\text{Endurance Limit } 9.95 \text{ ksi}) / (\text{Peak Alternating Stress})$ . The limiting SR based on the structural evaluation of the dryer using RJ-ABWR startup data is  $SR = 1.11$ . Details are provided in Reference 2-7.

**Table 2.2-1 Design Fatigue Margins for STP 3 Non-Dryer Reactor Internals**

a.c

---

## 2.3 REFERENCES FOR SECTION 2

- 2-1 Toshiba Document, ABWR Design Control Document/Tier 2.
- 2-2 ASME Boiler and Pressure Vessel Code, Division I, Section III, 1989 Edition, with no Addenda.
- 2-3 Westinghouse Report, WCAP-17371-P, Revision 7, "South Texas Project Units 3 and 4 Reactor Internals Non-Dryer Component Flow-Induced Vibration Assessment," September 2013. (Proprietary)
- 2-4 U.S. NRC Regulatory Guide 1.20, Rev. 3, "Comprehensive Vibration Assessment Program for Reactor Internals during Preoperational and Initial Startup Testing," March 2007.
- 2-5 Westinghouse Letter, LTR-RIDA-10-294, Rev. 0, "Recommended Damping Ratio, Peak-to-RMS Ratio, and Stress Concentration Factor Application for ABWR Reactor Internals Flow-Induced Vibration Analysis," 10/28/2010. (Proprietary)
- 2-6 XGEN Report, XGEN-2010-03R2, "FIV Evaluation of STP Unit 3/4 Reactor Internals: Top Guide, Core Plate, Vent and Head Spray, Surveillance Specimen Holder and Fuel Support Casting," January 2011. (Proprietary)
- 2-7 Westinghouse Report, WCAP-17385-P, Revision 6, "STP Unit 3 Steam Dryer Flow-Induced Vibration Assessment," September 2013. (Proprietary)

### **3 DESCRIPTION OF THE STRUCTURAL ASSEMBLIES**

The reactor internal components are shown and identified in Figure 3-1. The following sections provide detailed descriptive material for the components taken from References 3-1 through 3-4.

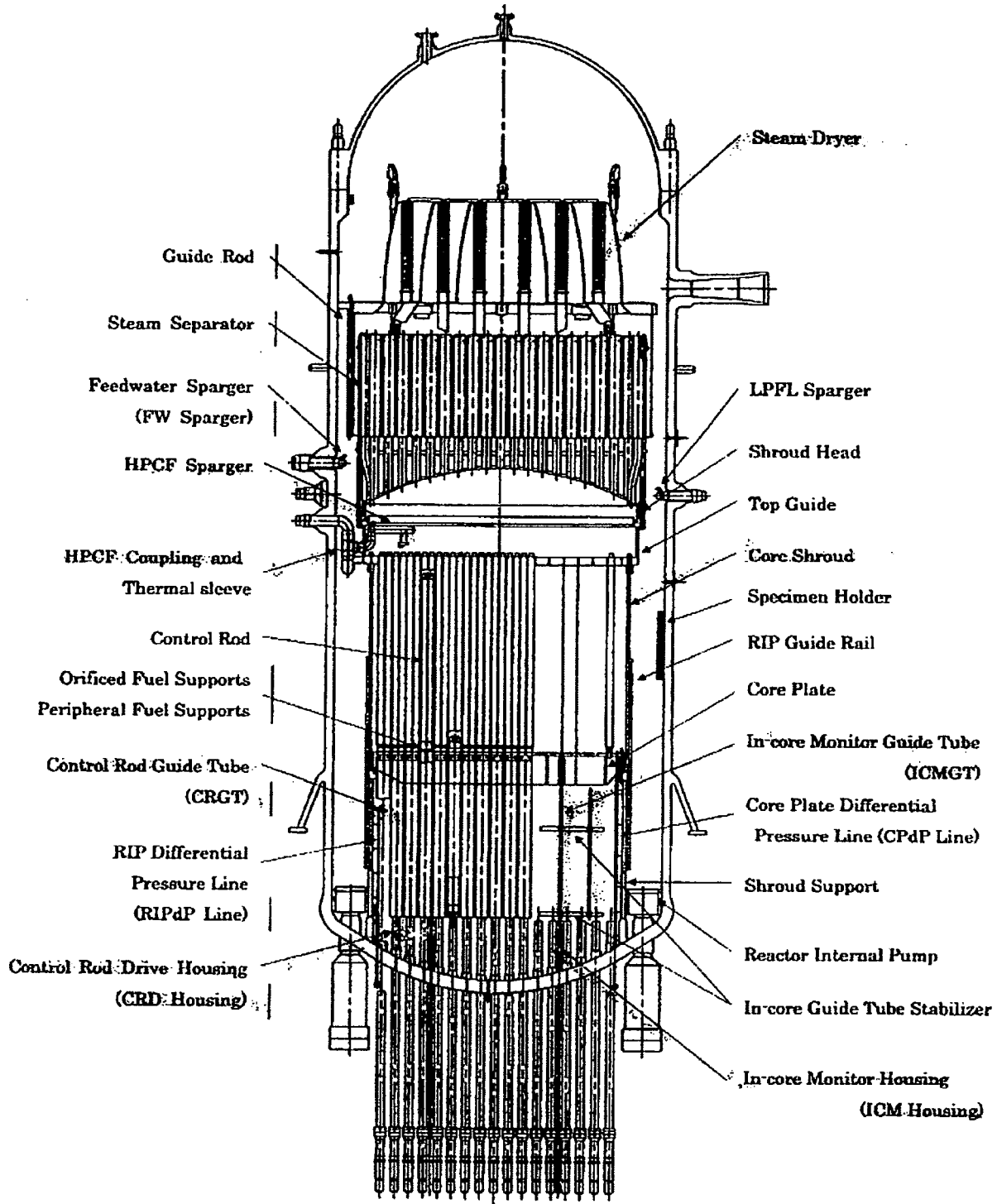
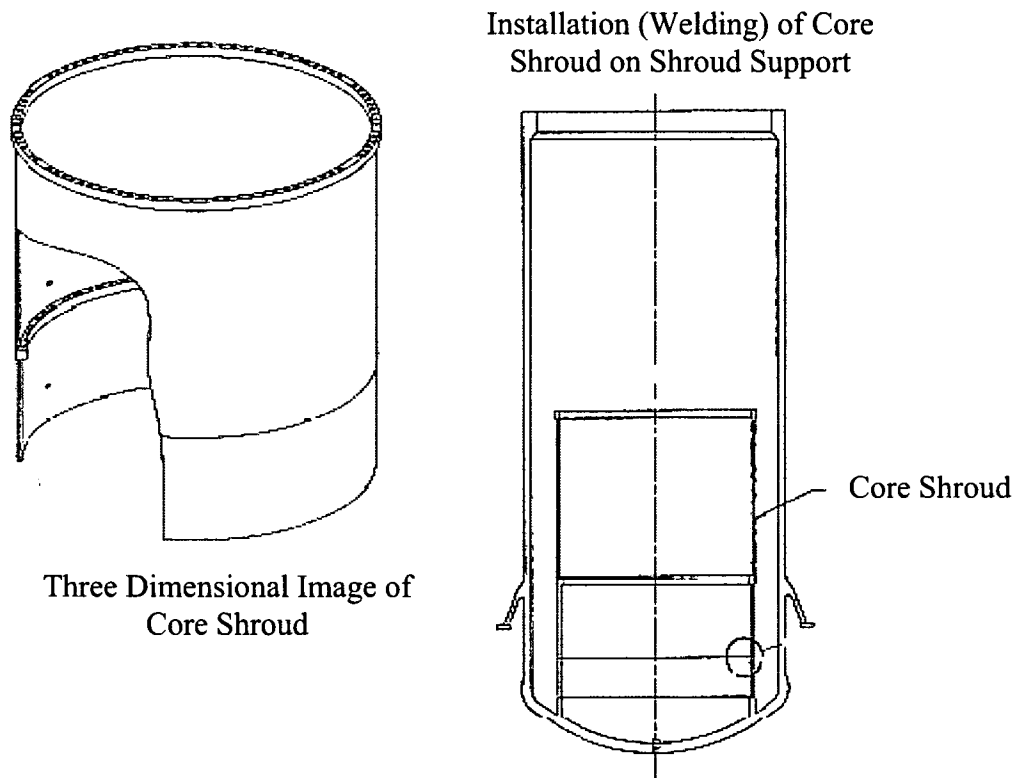


Figure 3-1 ABWR Reactor Internal Component Arrangement  
(Taken from Reference 3-1)

### 3.1 CORE SUPPORT STRUCTURES

#### 3.1.1 Core Shroud

The shroud support, shroud, and top guide make up a stainless steel cylindrical assembly that provides a partition to separate the upward flow of coolant through the core from the downward recirculation flow. This partition separates the core region from the downcomer annulus. The volume enclosed by this assembly is characterized by three regions; the upper, central, and lower regions. The upper portion surrounds the core discharge plenum, which is bounded by the shroud head on top and the top guide plate below. The central portion of the shroud surrounds the active fuel and forms the longest section of the assembly. This section is bounded at the top by the top guide plate and at the bottom by the core plate. The lower portion, surrounding part of the lower plenum, is welded to the RPV shroud support. The shroud provides the horizontal support for the core by supporting the core plate and top guide. Figure 3.1.1-1 shows the installation of the core shroud with the RPV.



**Figure 3.1.1-1 RPV and Core Shroud Assembly  
(Taken from Reference 3-2)**

### 3.1.2 Shroud Support

The RPV shroud support is designed to support the shroud and includes the internal pump deck that locates and supports the pumps. The pump discharge diffusers penetrate the deck to introduce the coolant to the inlet plenum below the core. The pump deck is a horizontal structure welded to the vessel wall to provide support to the shroud, pump diffusers, and core and pump deck differential pressure (DP) lines. The structure is a ring plate welded to the vessel wall and to a vertical cylinder supported by vertical stilt legs from the bottom head. Figure 3.1.2-1 shows the shroud support assembly.

The shroud support supports the weight of the core shroud, core plate, peripheral fuel assemblies, top guide and shroud head and steam separator assembly.

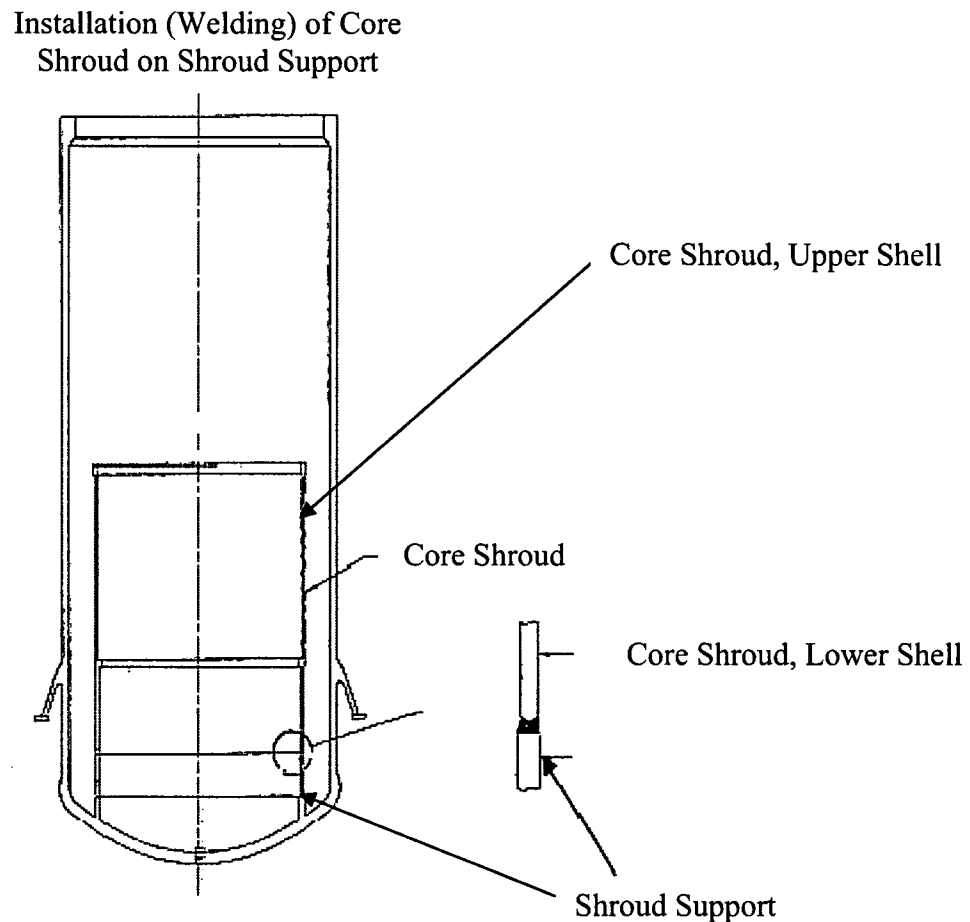


Figure 3.1.2-1 RPV and Shroud Support Assembly  
(Taken from Reference 3-2)

### 3.1.3 Control Rod Guide Tubes (CRGT)

The CRGTs located inside the vessel extend from the top of the control rod drive (CRD) housings up through holes in the core plate. Each guide tube is designed as the guide for the lower end of a control rod and as the support for an orificed fuel support. The fuel support locates the four fuel assemblies surrounding the control rod. The bottom of the guide tube is supported by the CRD housing. The CRGTs also contain holes near the top of the CRGT and below the core plate to allow coolant flow to the orificed fuel supports. Figure 3.1.3-1 shows these components.

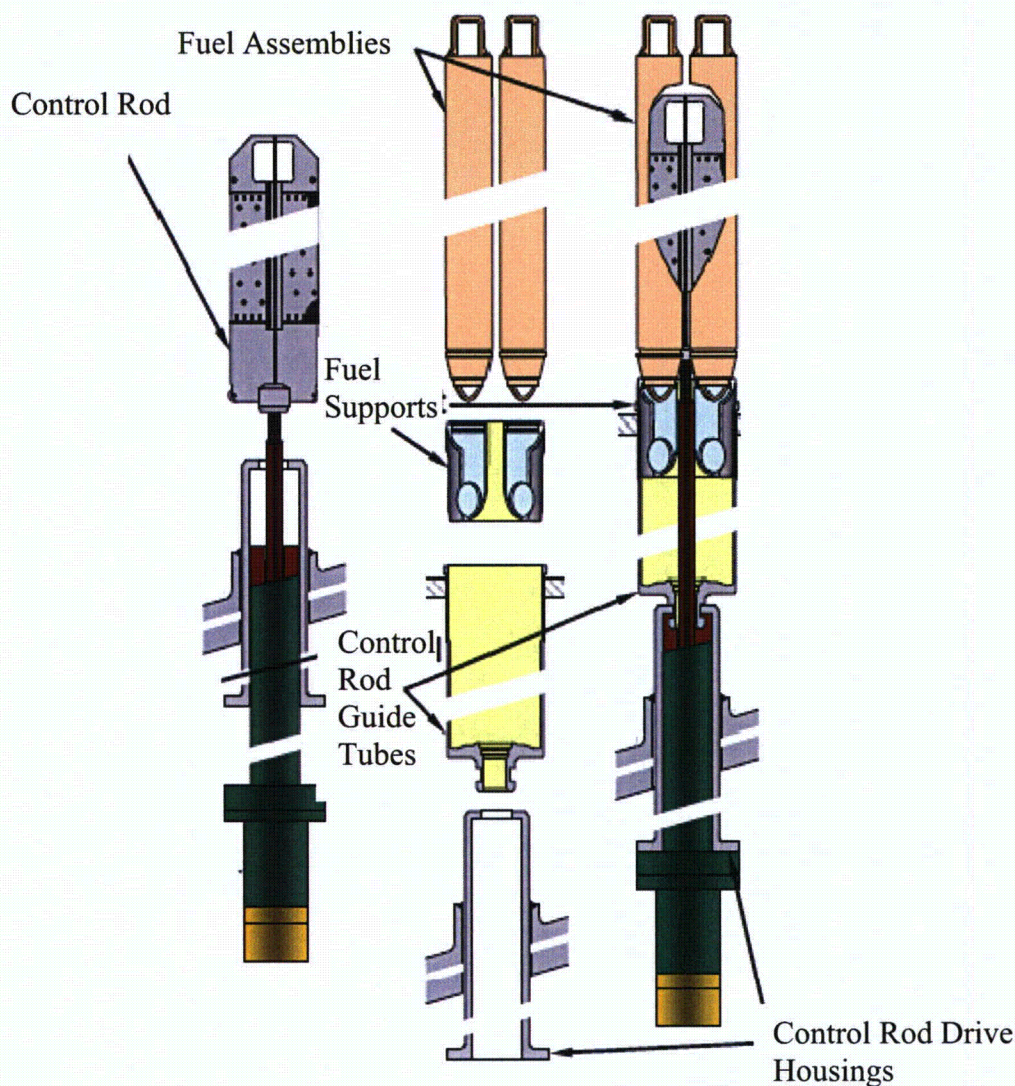


Figure 3.1.3-1 CRGT, and CRD Housing Assembly  
(Taken from Reference 3-2)

### 3.1.4 Core Plate and Fuel Supports

The core plate consists of a circular stainless steel plate with round openings and is stiffened with a rim and beam structure. The core plate provides lateral support and guidance for the CRGT, in-core flux monitor guide tubes, peripheral fuel supports, and startup neutron sources. The peripheral fuel support and startup neutron sources are supported vertically by the core plate. The entire assembly is bolted to a support ledge in the lower portion of the shroud. The core plate is shown in Figure 3.1.4-1.

The fuel supports (Figure 3.1.4-2) are of two basic types: peripheral supports and orificed fuel supports. The peripheral fuel supports are located at the outer edge of the active core and are not adjacent to the control rods. Each peripheral fuel support supports one fuel assembly and has an orifice designed to assure proper coolant flow to the peripheral fuel assembly. Each orificed fuel support holds four fuel assemblies vertically and horizontally and has four orifices to provide proper coolant flow distribution to each rod-controlled fuel assembly. The orificed fuel supports rest on the top of the CRGTs, which are supported laterally by the core plate. The control rods pass through cruciform openings in the center of the orificed fuel support. This locates the four fuel assemblies surrounding a control rod.

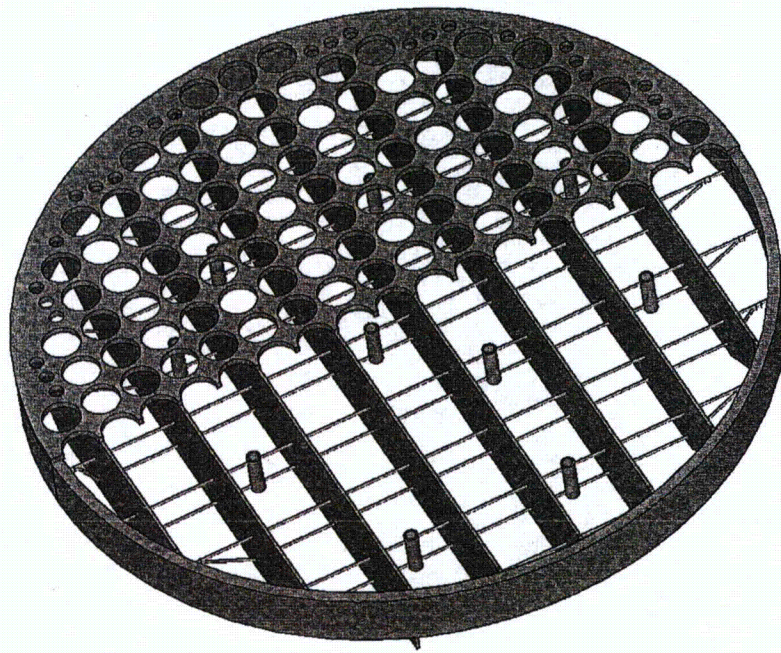
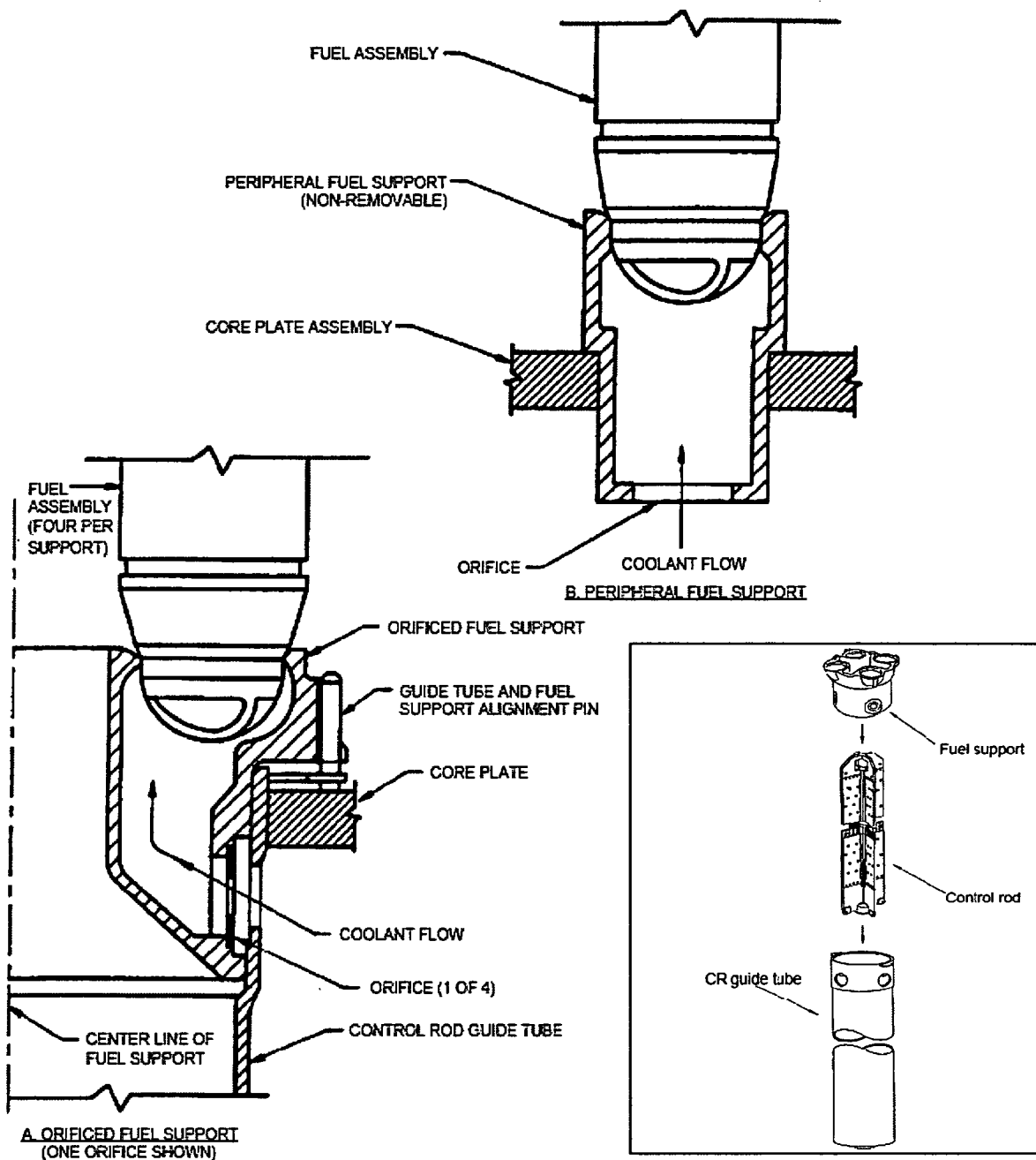


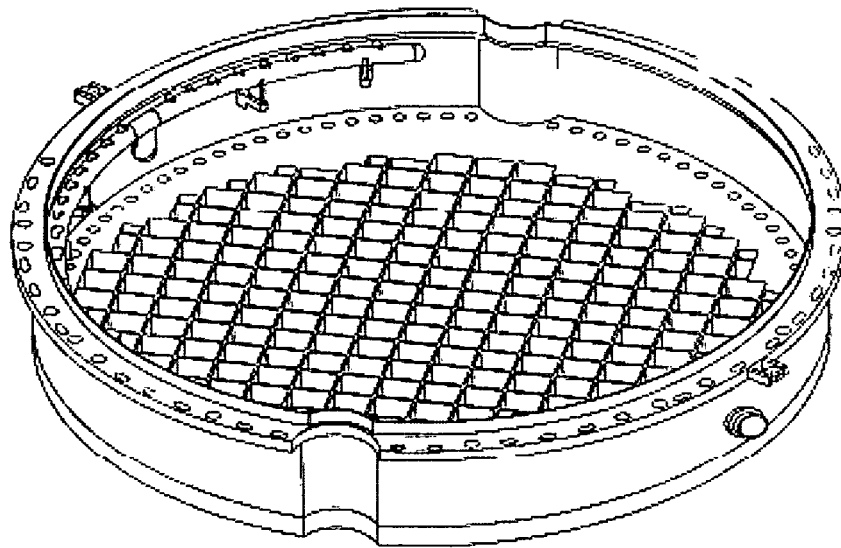
Figure 3.1.4-1 Core Plate



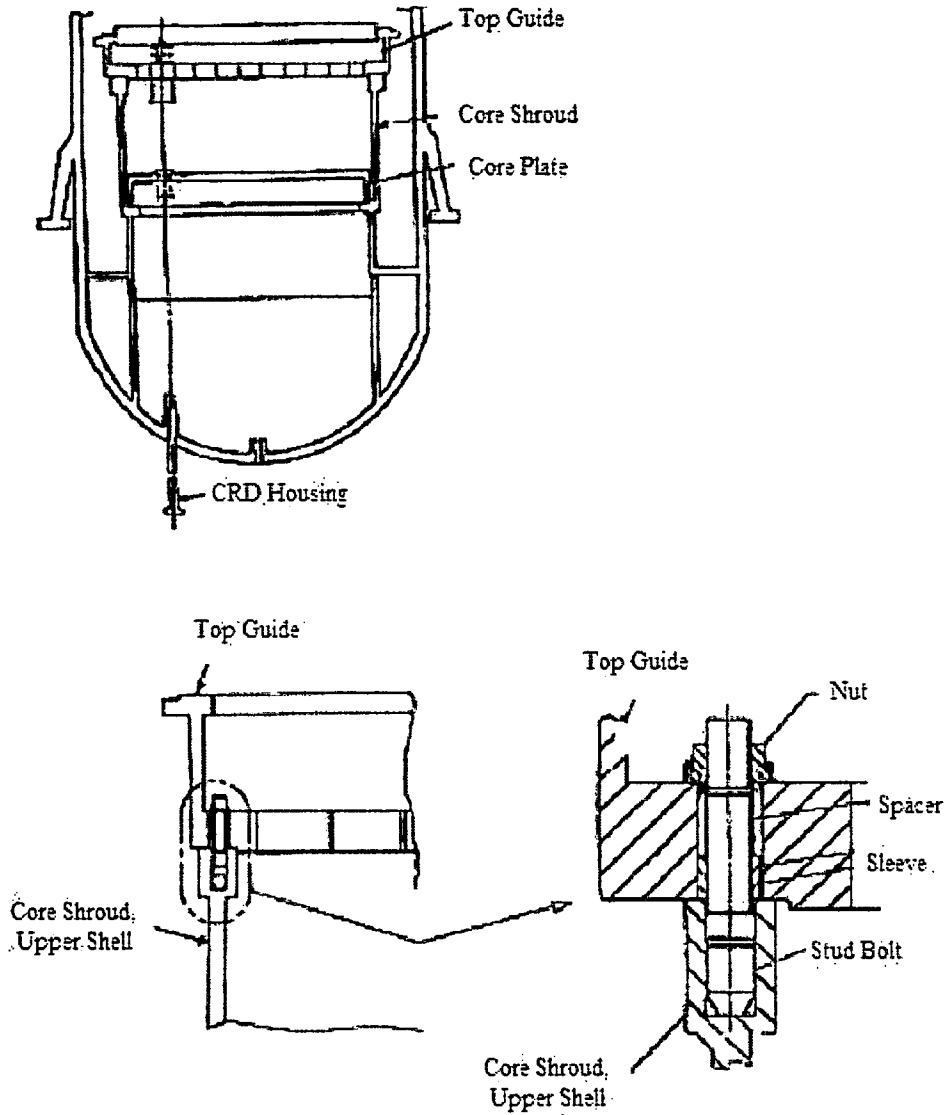
**Figure 3.1.4-2 Fuel Supports  
(Taken from Reference 3-2)**

### 3.1.5 Top Guide

The top guide consists of a circular plate with square openings for fuel and a cylindrical side forming an upper shroud extension with a top flange for attaching the shroud head. Each opening provides lateral support and guidance for four fuel assemblies or, in the case of peripheral fuel, less than four fuel assemblies. Holes are provided in the bottom of the support intersections to anchor the in-core flux monitors and startup neutron sources. The top guide is mechanically attached to the top of the shroud. Figures 3.1.5-1 and 3.1.5-2 show the top guide and its installation in the RPV.



**Figure 3.1.5-1 Top Guide  
(Taken from Reference 3-2)**

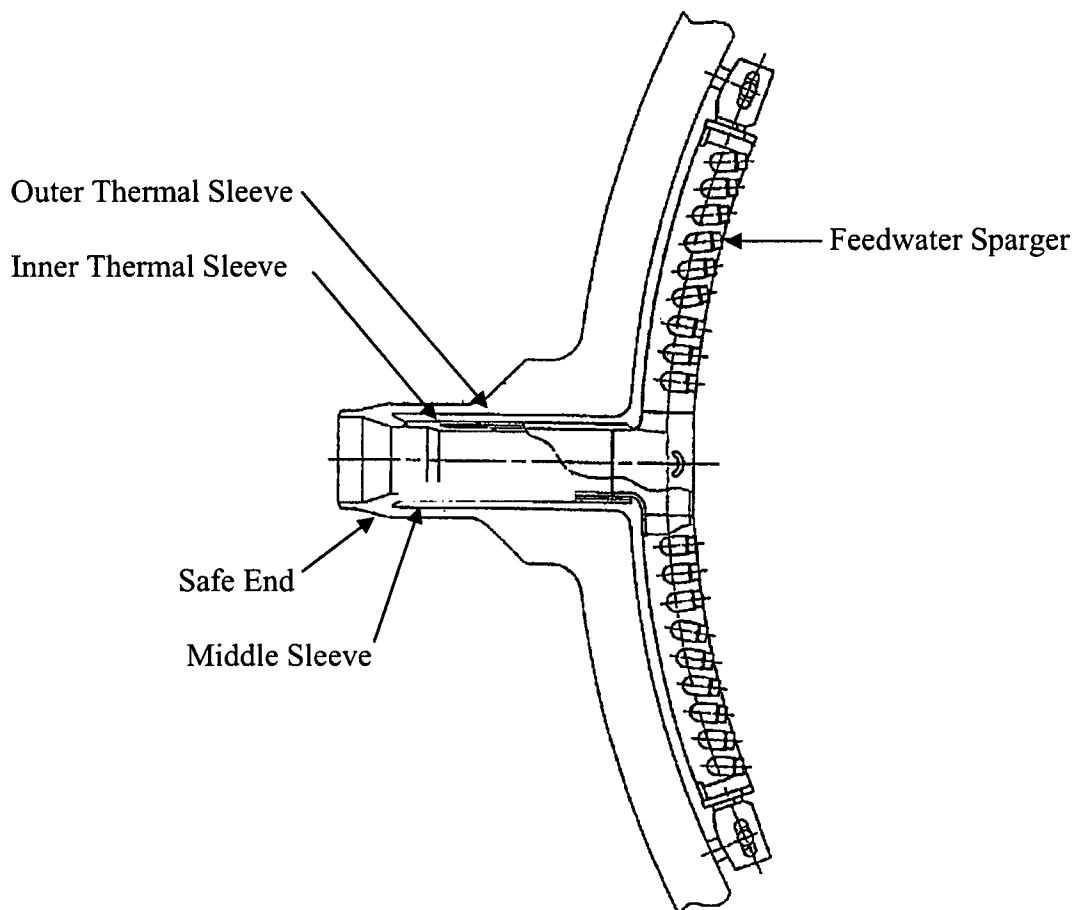


**Figure 3.1.5-2 Installation of Top Guide  
(Taken from Reference 3-2)**

## 3.2 REACTOR INTERNALS

### 3.2.1 Feedwater Spargers

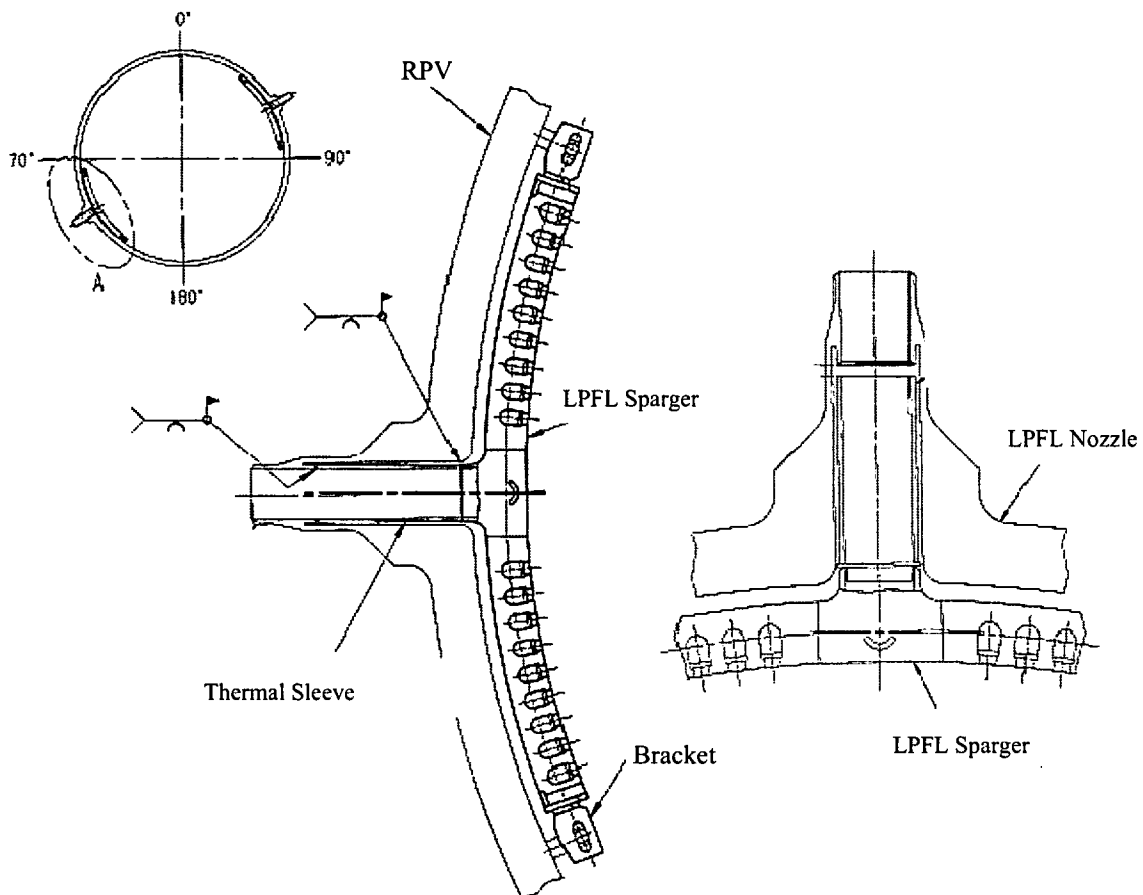
The feedwater (FW) spargers are stainless steel headers located in the mixing plenum above the downcomer annulus. A separate FW sparger in two halves is fitted to each FW nozzle using a tee, and is shaped to conform to the curve of the vessel wall. The sparger tee inlet is connected to the RPV nozzle safe end by a double thermal sleeve arrangement. Sparger end brackets are pinned to the vessel brackets in order to support the spargers. The FW flow enters the center of the spargers and is discharged radially inward to mix the cooler FW with the downcomer flow from the steam separators and steam dryer before it contacts the vessel wall. The FW spargers also serve to condense steam in the region above the downcomer annulus and to subcool water flowing to the RIPs. Figure 3.2.1-1 shows a typical FW sparger unit.



**Figure 3.2.1-1 FW Sparger  
(Taken from Reference 3-2)**

### 3.2.2 Low Pressure Flooder Spargers

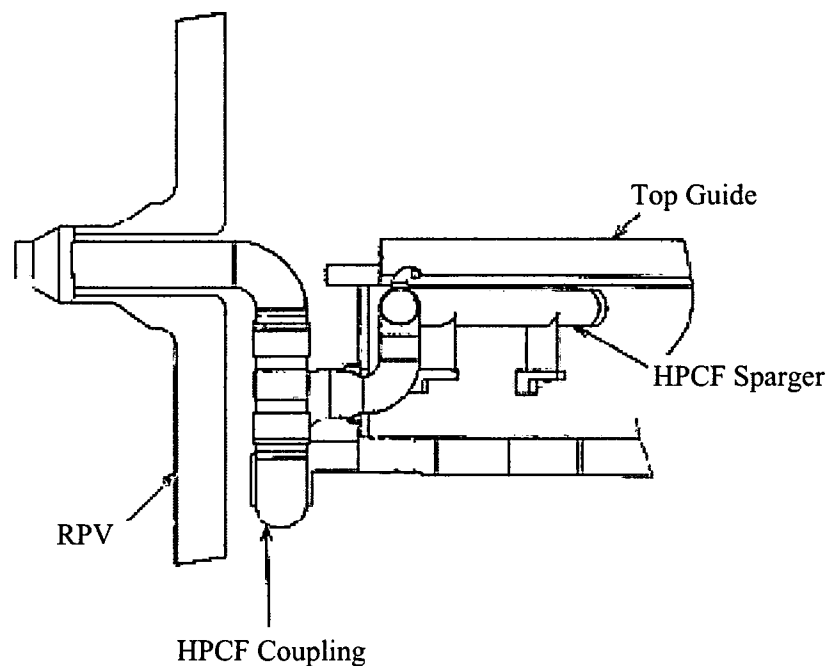
The low pressure flooder (LPFL) spargers are Safety Class 2 components. The design features of these two spargers of the Residual Heat Removal (RHR) shutdown cooling system are similar to those of the six FW spargers, three of which belong to one FW line supporting the same RHR function. During the Emergency Core Cooling System (ECCS) mode, these spargers support low pressure flooding of the vessel. Two lines of the RHR shutdown cooling system enter the reactor vessel through the two diagonally opposite nozzles and connect to the spargers. The sparger tee inlet is connected to the RPV nozzle safe end by a thermal sleeve arrangement with all connections made by full penetration welds. Figure 3.2.2-1 shows a LPFL sparger assembly.



**Figure 3.2.2-1 LPFL Sparger Assembly  
 (Taken from Reference 3-2)**

### 3.2.3 HPCF Sparger and Coupling

The high pressure core flooder (HPCF) spargers and piping are Safety Class 2. The spargers and piping are the means for directing high pressure ECCS flow to the upper end of the core during accident conditions. Each of two HPCF system lines enters the reactor vessel through a diagonally opposite nozzle in the same manner as an RHR low pressure flooder line, except that the curved sparger including the connecting tee is routed around the inside of and is supported by the cylindrical portion of the top guide. A flexible coupling is interposed between the sparger tee inlet and the sleeved inlet connector inside the nozzle. The two spargers are supported to accommodate thermal expansion. Figure 3.2.3-1 shows the HPCF sparger and coupling assembly.

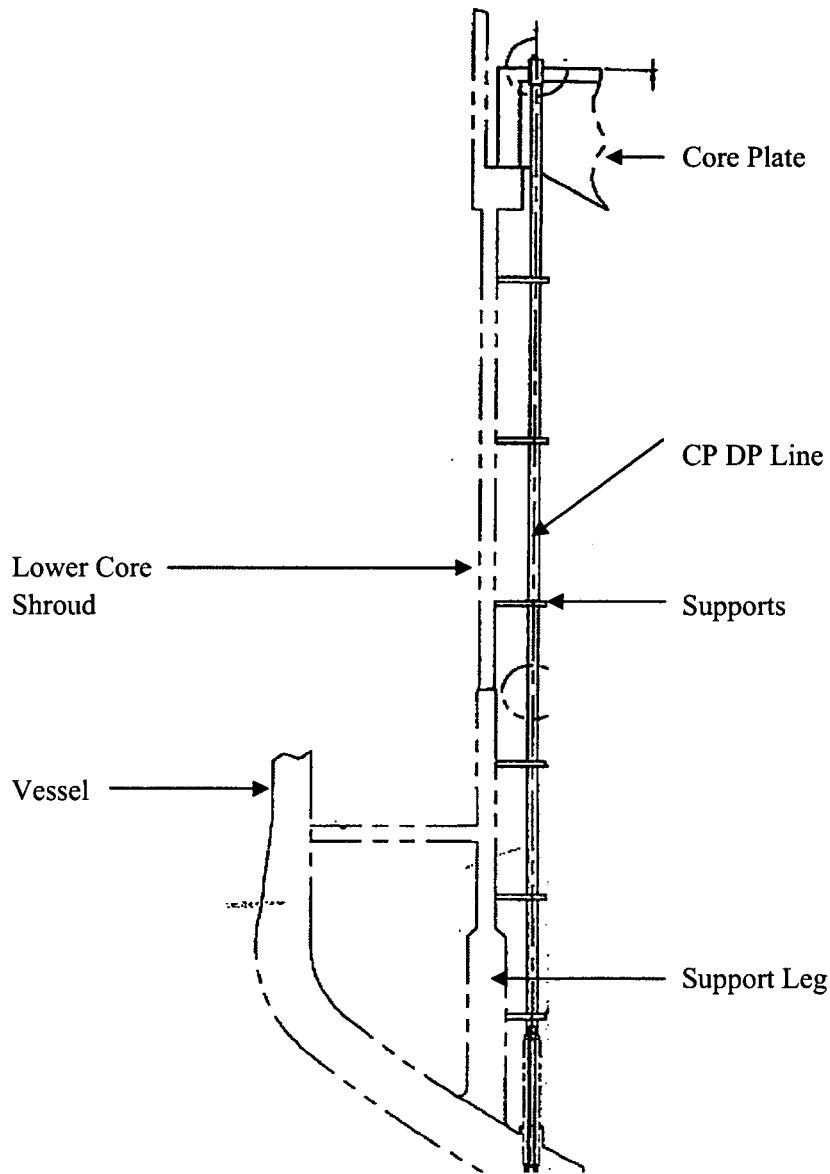


**Figure 3.2.3-1 HPCF Sparger and Coupling Assembly  
(Taken from Reference 3-2)**

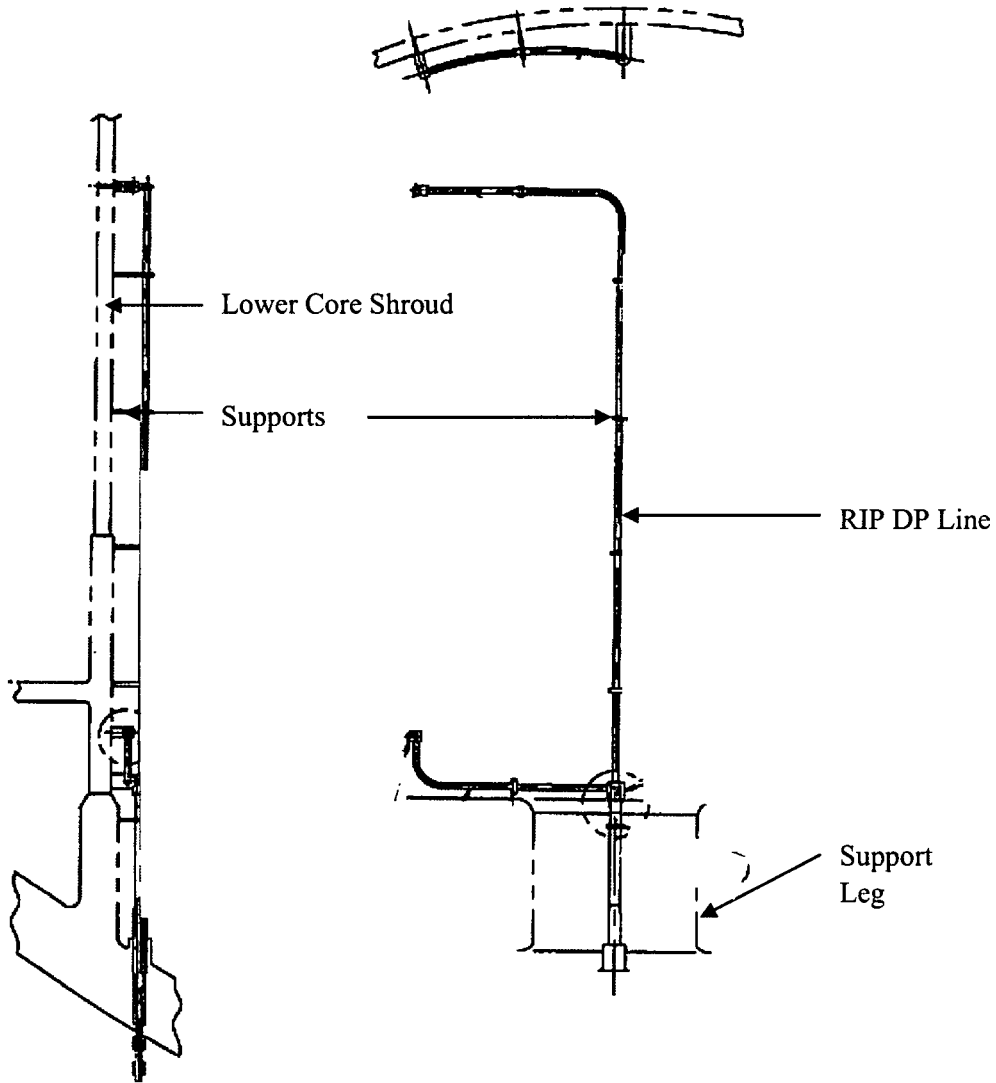
---

### 3.2.4 Core Plate (CP) and RIP DP Lines

The DP lines comprise the core flow measurement subsystem of the recirculation flow control system (RFCS) and provide two methods of measuring the core flow rates. The CP DP lines (Safety Class 3) and RIP DP lines (non-safety class) enter the reactor vessel separately through reactor bottom head penetrations. Four pairs of the CP DP lines enter the head in four quadrants through four penetrations and terminate immediately above and below the core plate to sense the pressure in the region outside the bottom of the fuel assemblies and below the core plate during normal operation. Figure 3.2.4-1 shows a typical installation for the CP DP lines. Similarly, four pairs of the RIP DP lines terminate above and below the pump deck and are used to sense the pressure rise across the RIPs during normal pump operation. Each pair is routed concentrically through a penetration and upward along a shroud support leg in the lower plenum. Figure 3.2.4-2 shows the typical installation for the RIP DP lines. The CP and RIP DP lines are positioned behind and downstream of the shroud support legs to provide protection from the high velocity jets which pass into the reactor vessel lower plenum from the RIPs.



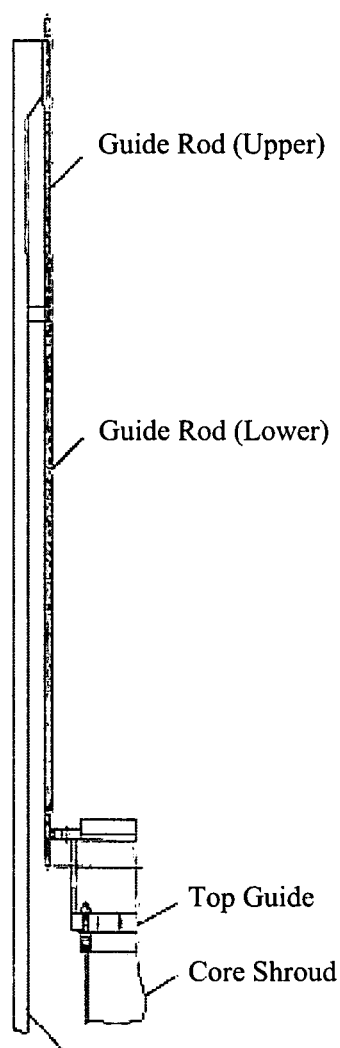
**Figure 3.2.4-1 CP DP Line  
(Taken from Reference 3-4)**



**Figure 3.2.4-2 RIP DP Line  
(Taken from Reference 3-4)**

### 3.2.5 Lower Guide Rods

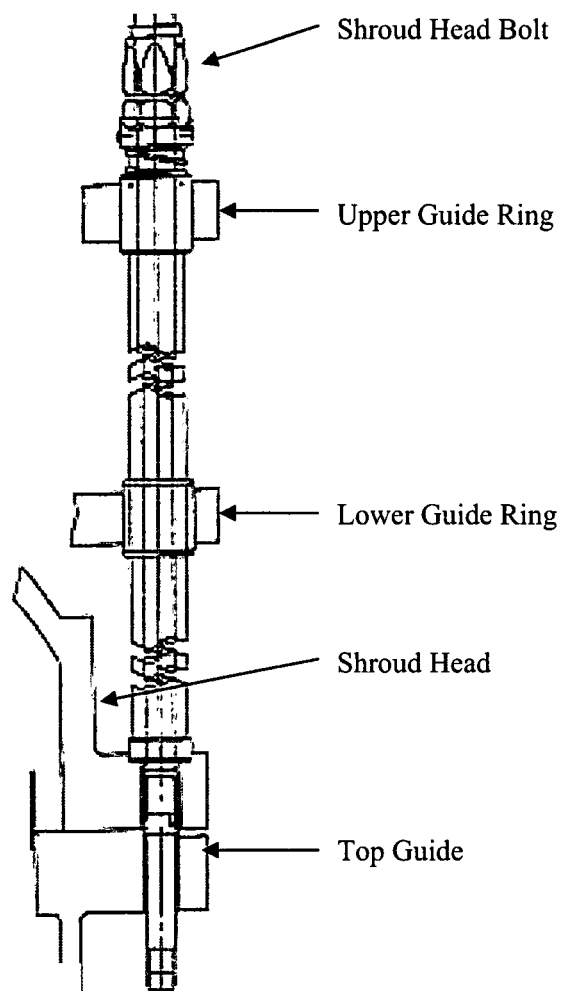
The lower guide rods are non-safety class components. The lower guide rods have two brackets; the lower and upper. The lower bracket is integrated into the top guide and the upper bracket is welded to the RPV. The lower guide rods and upper guide rods are used to align the shroud head and steam separators during their installation. Once the installation process is complete, the upper guide rods are removed and the lower guide rods remain in the RPV. The lower guide rod is primarily made up of a tube with a solid rod welded to the lower part and a threaded section attached to the upper part. Figure 3.2.5-1 shows the guide rod assembly.



**Figure 3.2.5-1 Guide Rod Assembly  
(Taken from Reference 3-4)**

### 3.2.6 Shroud Head Bolts

The shroud head bolts are used to provide a connection between the shroud head and the top guide. There are 36 shroud head bolts (Reference 3-4) distributed around the circumference of the upper and lower guide rings. The bolts extend vertically from the upper separator ring down to the flange on the shroud head. Figure 3.2.6-1 shows the shroud head bolts.



**Figure 3.2.6-1 Shroud Head Bolts  
(Taken from Reference 3-2)**

### 3.2.7 Shroud Head Lifting Rods/Lugs

The shroud head lifting rods/lugs are non-safety class components. The lifting rods/lugs are used during the installation of the steam separators and shroud head assembly. Their function is to provide the means by which the assembly can be lifted and moved. The lifting rods/lugs remain in the RPV with the shroud head assembly. They consist of four long slender rods with a lug at the top end of each rod and are attached to the shroud head directly, but are also passed through holes in the steam separator guide rings to provide lateral support. Figure 3.2.7-1 shows the shroud head lifting rods/lugs.

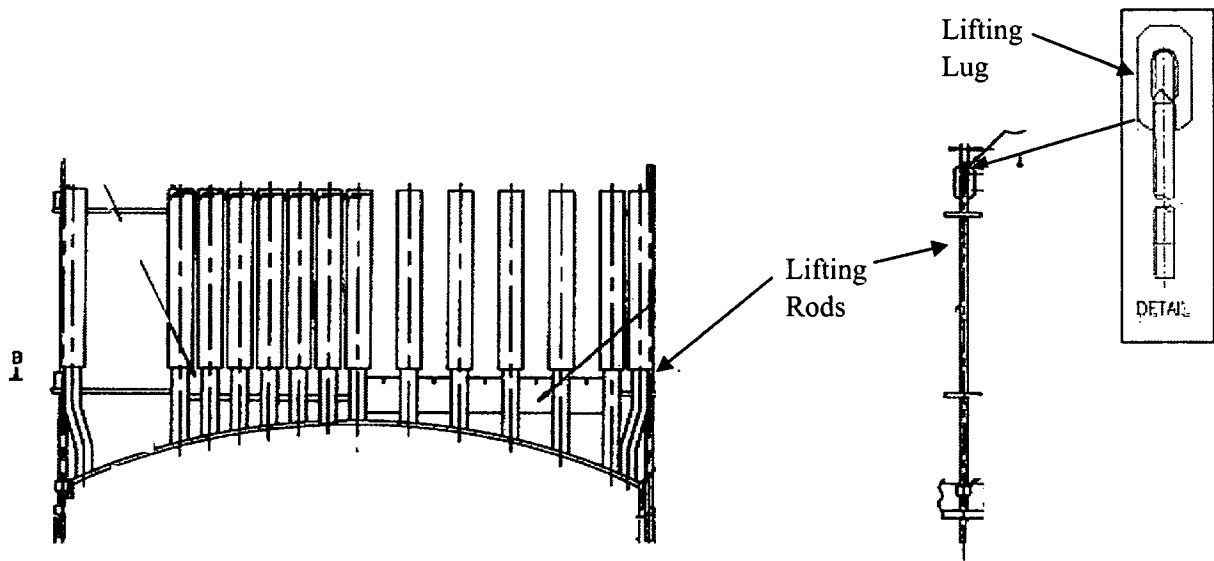
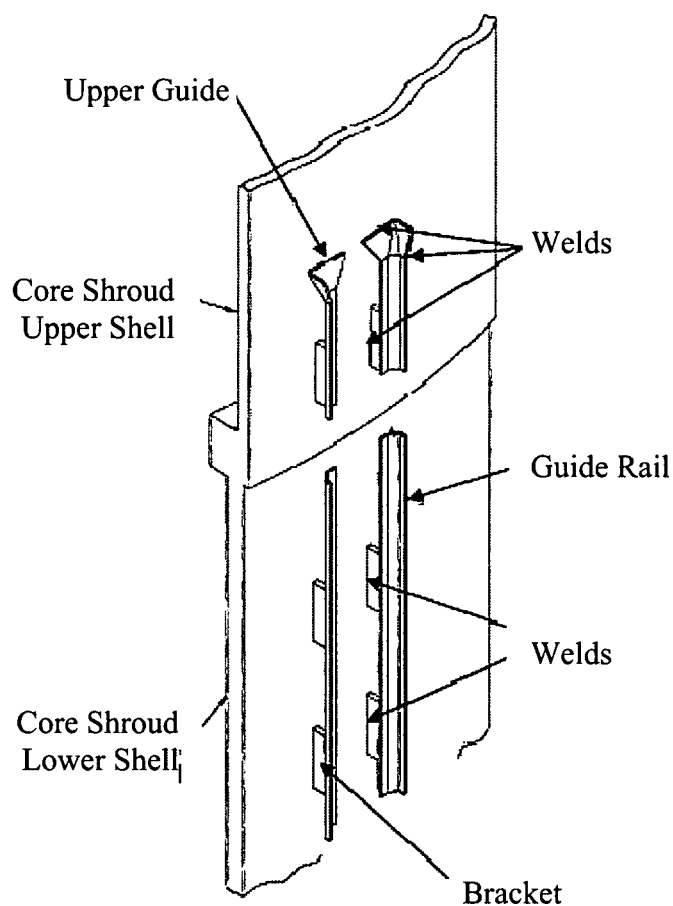


Figure 3.2.7-1 Shroud Head Lifting Rods/Lugs  
(Taken from Reference 3-4)

### 3.2.8 RIP Guide Rails

The RIP guide rails are non-safety class components. They consist of two rails per RIP location. The guide rails are oriented in the vertical direction and extend from approximately mid-core elevation down to an elevation near the pump deck. The guide rails are welded to the core shroud by a series of brackets as shown in Figure 3.2.8-1. The top ends of the guide rails are flared out to assist in positioning the RIP within the guide rails.

The RIP guide rails facilitate the installation and removal of the RIPs by providing guidance to the pump deck elevation. Figure 3.2.8-1 shows the RIP guide rails.



**Figure 3.2.8-1 RIP Guide Rails  
(Taken from Reference 3-2)**

### 3.2.9 Shroud Head and Separator Assembly

The shroud head and stand pipes/steam separators are non-safety class internal components. The shroud head and steam separator assembly includes the upper flanges and bolts, forming the top of the core discharge mixture plenum, and the upper flanges, separators and their connecting stand pipes, forming the top of the core discharge mixture plenum. The discharge plenum provides a mixing chamber for the steam/water mixture before it enters the steam separators. Individual stainless steel axial flow steam separators are supported on and attached to the top of stand pipes that are welded into the shroud head. The steam separators have no moving parts. In each separator, the steam/water mixture rising through the stand pipe passes vanes that impart a spin to establish a vortex separating the water from the steam. The separated water flows from the lower portion of the steam separator into the downcomer annulus. The assembly is removable from the reactor pressure vessel as a single unit on a routine basis. Figure 3.2.9-1 shows the head and separator assembly.

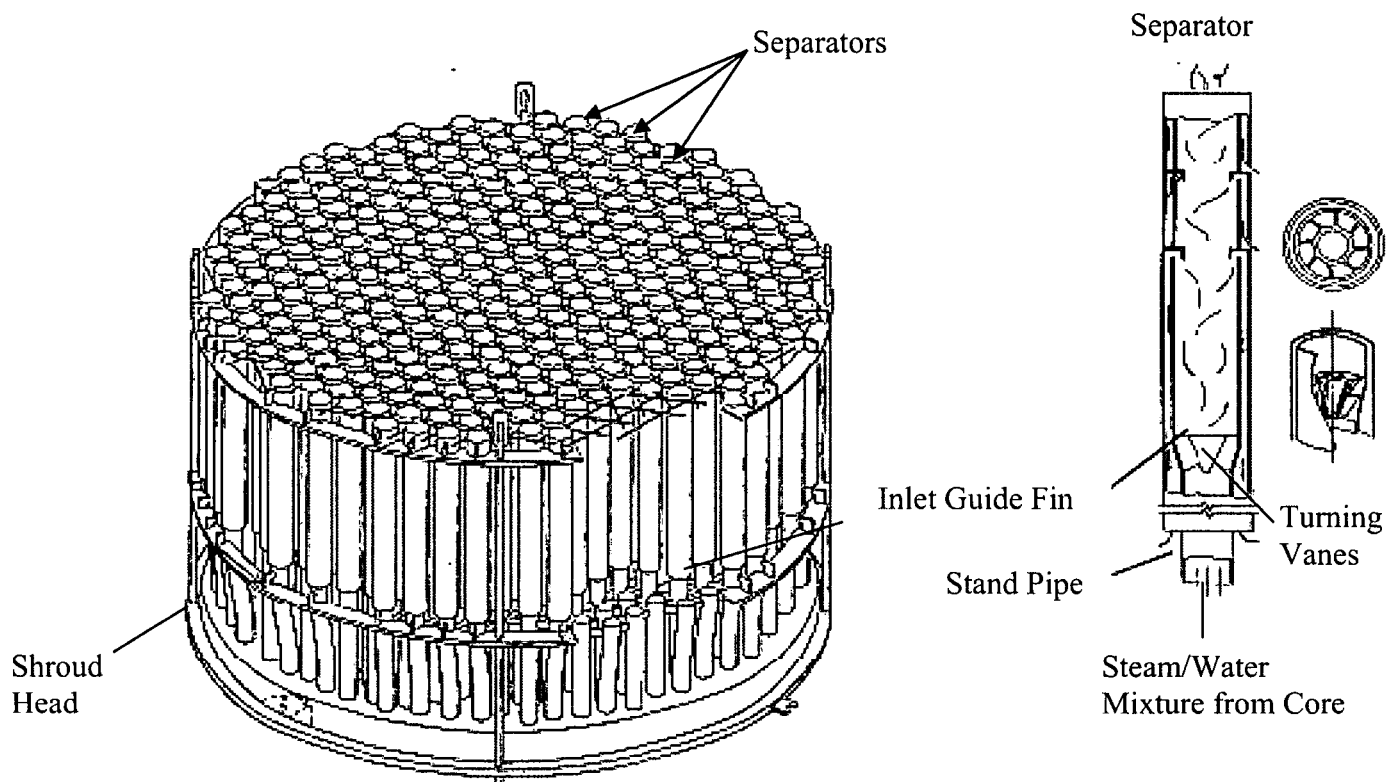


Figure 3.2.9-1 Shroud Head and Separator Assembly  
(Taken from Reference 3-2)

### 3.2.10 Steam Dryer

The steam dryer consists of an upper and lower assembly. The upper assembly consists of the dryer banks, hoods, and troughs. The lower assembly includes the skirt and the drain channels. The upper and lower assemblies are connected by a support ring. The steam dryer is supported by four brackets welded to the vessel shell at the location of the support ring. Figure 3.2.10-1 shows a sketch of the steam dryer.

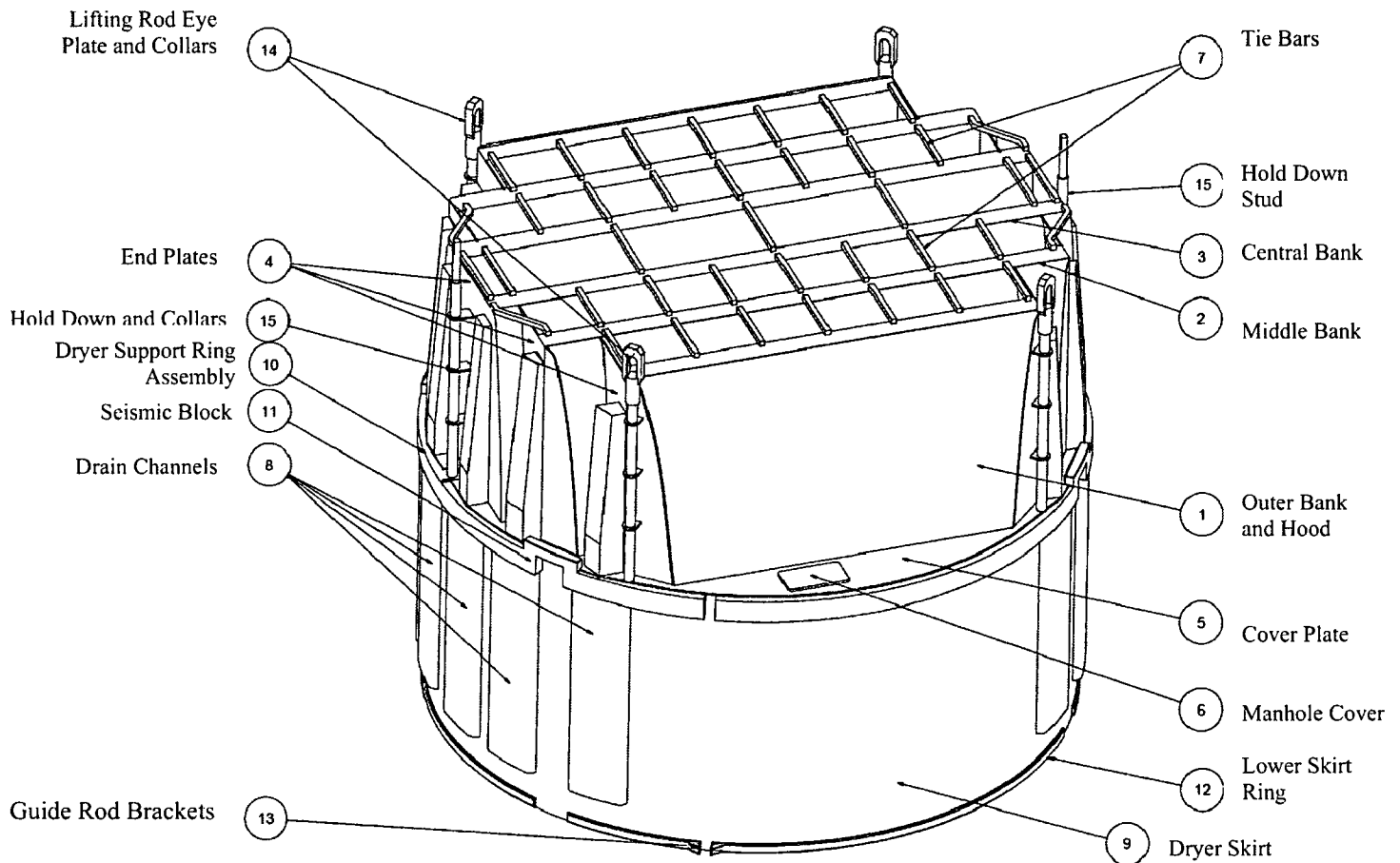


Figure 3.2.10-1 Steam Dryer

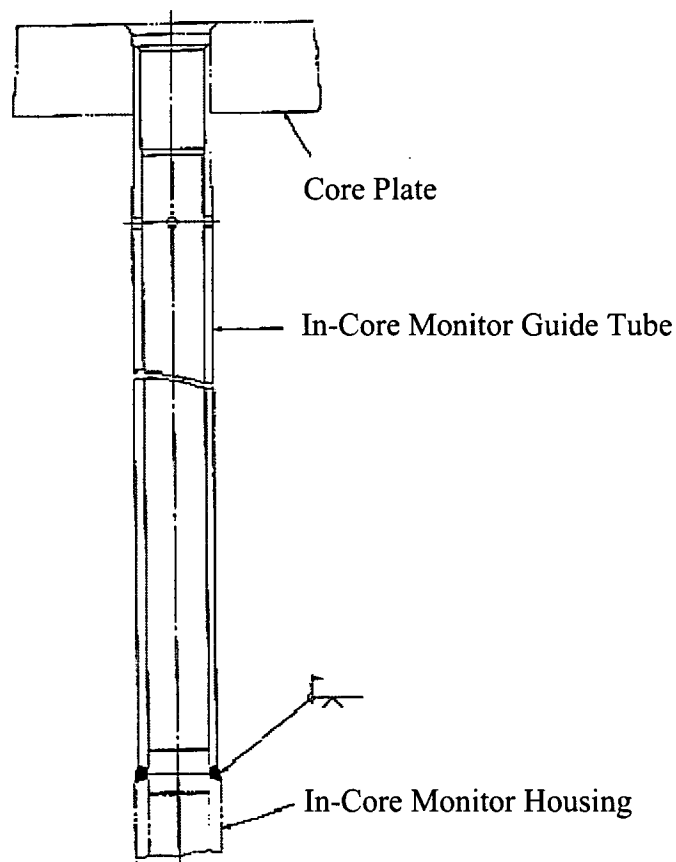
### **3.3 CONTROL ROD DRIVE AND IN-CORE MONITORING HOUSING**

#### **3.3.1 Control Rod Housing**

The CRD housings extend upwards from the vessel bottom head and connect to the CRGTs; see Figure 3.1.3-1. The CRD housing transmits the weight of the CRGTs, the fuel supports, and the fuel assemblies to the bottom head. The CRD housings also enclose and protect the control rod drive shafts.

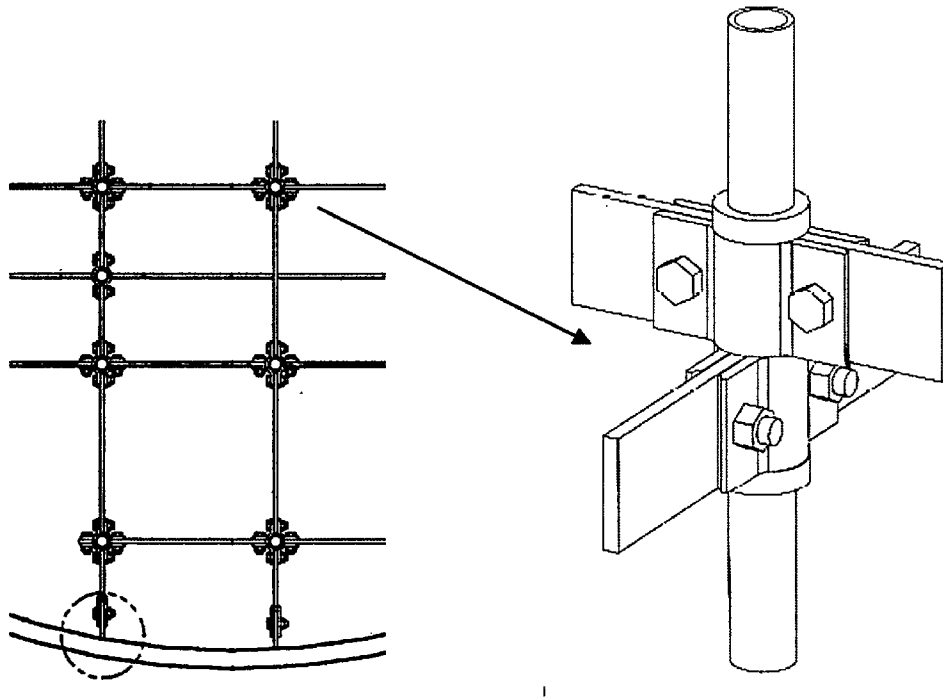
### 3.3.2 In-Core Monitoring Housing System/In-Core Guide Tube Stabilizer (ICMH/ICGT)

The ICMH and ICGT stabilizer are Safety Class 3 components. The guide tubes protect the in-core instrumentation from flow of water in the bottom head plenum and provide a means of positioning fixed detectors in the core as well as a path for insertion and withdrawal of the calibration monitors, Automated Traversing In-Core Probe (ATIP). The in-core flux monitor guide tubes extend from the top of the in-core flux monitor housing to the top of the core plate. The power range detectors for the power range neutron monitor (PRNM) units, the dry tubes for the startup range neutron monitoring (SRNM) and average power range monitoring (APRM) detectors are inserted through the guide tubes. The local power range monitor (LPRM) detector assemblies are inserted through the guide tubes. Figure 3.3.2-1 shows an individual in-core monitor guide tube.



**Figure 3.3.2-1 In-Core Monitor Assembly  
(Taken from Reference 3-2)**

Two levels of stainless steel and nickel alloy stabilizer latticework of clamps, tie bars, and spacers give lateral support and rigidity to the guide tubes. The stabilizers are connected to the core shroud and shroud support. The bolts are tack-welded after assembly to prevent loosening during reactor operation. Figure 3.3.2-2 shows a portion of the latticework arrangement and of the typical clamp assemblies for the ICGT stabilizer.

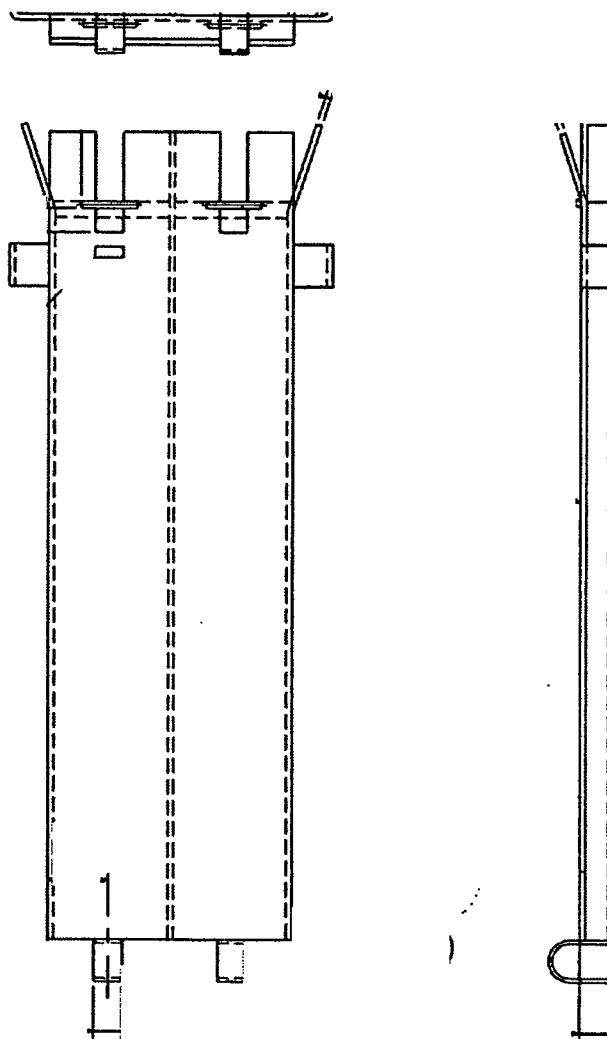


**Figure 3.3.2-2 In-Core Guide Tube Stabilizer  
(Taken from Reference 3-4)**

### 3.4 OTHER COMPONENTS

#### 3.4.1 Specimen Holder

The specimen holder is a non-safety class component. The surveillance specimen holders are welded baskets containing impact and tensile specimen capsules. The holders have brackets that are attached to the inside of the reactor vessel wall and are located in the active core beltline region. The radial and azimuthal positions are chosen to expose the specimens to the same environment and the maximum neutron fluxes experienced by the reactor vessel wall. Figure 3.4.1-1 shows the specimen holder.



**Figure 3.4.1-1 Specimen Holder  
(Taken from Reference 3-3)**

### 3.4.2 Reactor Vessel Upper Head Spray Nozzle

The upper head spray nozzle extends downward from the upper head into the head region. The nozzle is located on the vertical centerline of the vessel head and serves both as a head spray and vessel vent. Figure 3.4.2-1 shows the spray nozzle.

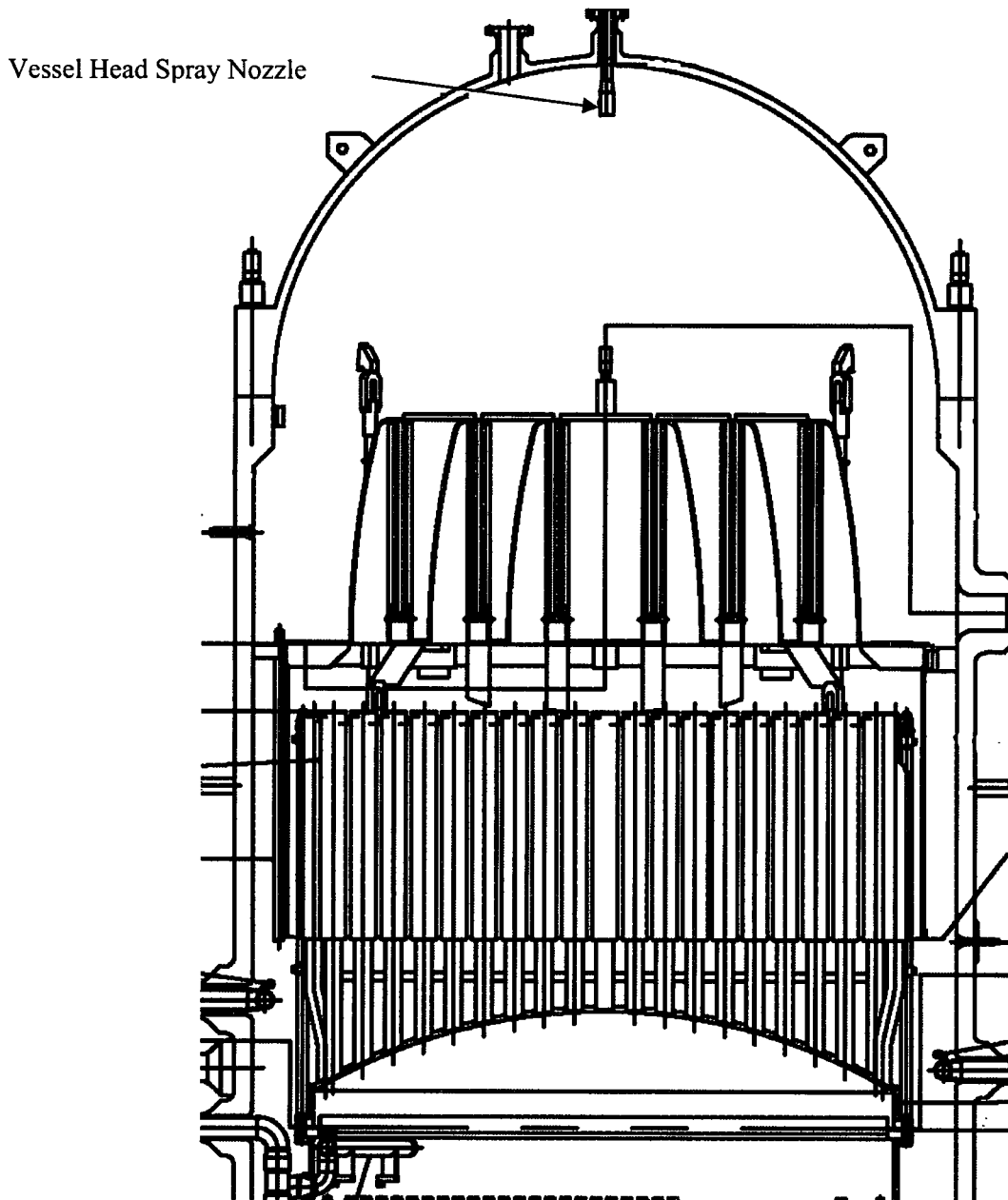


Figure 3.4.2-1 Vessel Head Spray Nozzle and Vent  
(Taken from Reference 3-4)

### **3.5 REFERENCES FOR SECTION 3**

- 3-1 Toshiba Document, RS-5126954, Rev. 1, "Prototype ABWR Reactor Internals Flow Induced Vibration Test Report," Figure 3-1. (Proprietary)
- 3-2 Toshiba Document, VCD-2008-000418, Rev. 2, "Outline of ABWR Reactor Components," November 2010. (Proprietary)
- 3-3 Toshiba Document, ABWR Design Control Document/Tier 2.
- 3-4 Toshiba Document, 3B11-D001-3005-01, Rev. 3, "Design Specification: Core Support Structures and Reactor Internals," Attachment B, 05/14/2008. (Proprietary)

This page left intentionally blank.

## 4 NON-DRYER FORCING FUNCTIONS

RG 1.20, Revision 3 (Reference 4-4) requires a vibration and fatigue analysis program. Sections 4 and 5 of this report summarize the predictive analyses performed for the non-dryer reactor internals and satisfy the guidance provided in RG 1.20, Revision 3, Section 2.1. The non-dryer forcing functions are determined by developing bounding loads for the analysis cases and are summarized in this section. The modal and structural analysis results are summarized in Section 5 for the non-dryer components.

### 4.1 ANALYSIS CASES

The non-dryer forcing functions are determined based on the structural analysis cases. Details of the determination of the forcing functions are documented in Reference 4-1 and are summarized in the following sections.

#### 4.1.1 Selection of Analysis Cases for Structural Analysis

The test configuration for the preoperational and initial startup test conditions was examined to select analysis cases for evaluating the design structural responses for the non-dryer reactor internal components. The selected analysis cases are listed in Table 4.1.1-1.

**Table 4.1.1-1 Selected Analysis Cases for STP Unit 3**

a,c

#### 4.1.2 Basis for Selections of Analysis Cases

Three bounding analysis cases were selected from Tables 1.3.1-1 and 1.3.3-1 for use in calculating the FIV forcing functions acting on the reactor internal components (Table 4.1.1-1). The basis for the selection of the bounding analysis cases is described below.

##### Analysis Case 1: Zero Power Operation with Seven Pumps Operating

Analysis Case 1 involves the maximum core flow rate ( $[ ]^{a,c}$  core flow) with seven operational pumps. For conservatism in the analysis, the three non-operating RIPs are assumed to be located adjacent to each other (i.e. RIPs B, C, and D). (In reality, three adjacent non-operating RIPs cannot occur in the plant due to wiring arrangements. The tests will actually be conducted with RIPs C, G, K or B, E, H non-operating). As a result of the assumption in the analysis case, the flow distribution in the lower portion of the downcomer and in the lower plenum regions will be asymmetric in the most adverse manner. In addition, there will be reverse flow through the non-operating pumps, which will cause local flow recirculation regions above and below the pump deck. This case will maximize flow-induced loads on components in the lower portion of the downcomer (RIP guide rails) and in the lower plenum (CP and RIP DP lines). This case may also produce maximum crossflows on the CRGT and possibly on the CRDH.

Analysis Case 1 is an extreme case since the power supply arrangement to the RIPs makes it impossible for three adjacent RIPs to be non-operational during normal operation. This case is bounding for real occurrences, in which either two adjacent RIPs or three equally distributed non-operating RIPs may occur.

##### Analysis Case 4: Full Power Operation at Maximum Flow Rate

Analysis Case 4 involves the maximum flow rate  $[ ]^{a,c}$  at full power (100%) with ten RIPs running. As such, the flow distributions within the reactor vessel will be mirror symmetric on the vessel  $x=0$  and  $y=0$  axes. The exception to this statement is the lower plenum region. Here, the use of the in-core monitor assembly produces asymmetrical flow distributions relative to the major  $x$  and  $y$  axes of the reactor vessel. Maximum coolant dynamic pressures will be present in the reactor core and in regions above the core (top guide and separators).

Analysis Case 4 is bounding because the  $[ ]^{a,c}$  flow rate is the maximum achievable at the 100% power level. The analyses for the internal components, except for the CRDH/CRGTs, ICGT/ICMHs, and stabilizers were done at a more conservative core flow rate of  $[ ]^{a,c}$ .

##### Analysis Case 4': Zero Power Operation at Maximum Flow Rate

Analysis Case 4' is a variant of Analysis Case 4 which involves the maximum flow rate  $[ ]^{a,c}$  at zero power and at relatively low coolant temperatures  $[ ]^c$ . Ten RIPs are considered to be operating. This case will produce symmetric flow distributions within the reactor vessel. The combination of high flow rate and low coolant temperatures will produce maximum coolant dynamic pressures in the downcomer and lower plenum regions for the symmetric flow situation.

---

Analysis Case 4' is bounding because in actual operation, the reactor is limited at zero power to flow rates of approximately [ ]<sup>a,c</sup> of core flow.

### 4.1.3 Biases and Uncertainties

The biases and uncertainties that affect the global uncertainties for the forcing functions are the measurement uncertainties associated with the reactor operating parameters and are summarized below. Details of the biases and uncertainties are documented in Reference 4-1.

The estimated measurement uncertainties on key operating parameters for STP Units 3 and 4, from Reference 4-1, are:

1. Pressure: [ ]<sup>c</sup> (1-sigma)
2. Core inlet temperature: [ ]<sup>c</sup> (1-sigma)
3. Power level: [ ]<sup>c</sup> (1-sigma)
4. RIP rotational speed: [ ]<sup>c</sup> (1-sigma)
5. FW flow rate: [ ]<sup>c</sup> (1-sigma)
6. Steam flow rate: [ ]<sup>c</sup> (1-sigma)
7. Core flow rate: [ ]<sup>c</sup> (1-sigma)

In addition to the measurement uncertainties summarized above, there are also conservative biases used in developing the individual forcing functions. These biases are described for each of the forcing functions.

---

## **4.2 LOCAL VELOCITY DETERMINATION**

Velocities are determined for the analysis cases due to (1) flow in the downcomer region, (2) flow in the lower plenum, and (3) flow in the top guide, shroud head, and separators. Due to complexity in the flow geometry, the lower plenum region velocities were determined using CFD. The velocities in the other regions (downcomers, top guides, shroud heads, and steam separators) were determined using fluid mechanics equations.

### **4.2.1 Downcomer Region**

The axial coolant velocity in the downcomer region was determined and accounted for the variations in flow area. The downcomer velocities were determined for the analysis cases and details are documented in Reference 4-1.

### **4.2.2 Lower Plenum Region Velocities**

A CFD representation of the lower plenum region is used to calculate the three-dimensional velocity distribution in the lower plenum region. Three analysis cases were evaluated to determine the velocity in the lower plenum. Velocity distributions for the CRGT/CRDH assemblies account for the turbulent fluid force that is non-uniformly distributed over the longitudinal length. Additionally, the flow distributions are determined for the ICGT/ICMH assemblies, stabilizers, CP DP lines, and RIP DP lines. Details are documented in Reference 4-2.

### **4.2.3 Top Guide, Shroud Head, and Separators**

#### Axial Coolant Velocities

The axial velocities in the top guide, shroud head, and separators are relatively low because of the large cross-sectional flow areas in these components. Details are documented in Reference 4-1.

#### Crossflow Velocities

Crossflow velocities are significant in the stand pipe region of the separators where the returning flow from the separators crosses the stand pipes as it moves toward the downcomer region. Crossflow velocities are not significant in the top guide and shroud head regions because the flow is generally directed upwards towards the entrance of the separators. Details are documented in Reference 4-1.

---

## 4.2.4 Bias Errors and Uncertainties

### 4.2.4.1 Biases and Uncertainties on Downcomer Velocities

In this section, factors that have bias error or uncertainty for the downcomer velocities are listed and discussions are provided to describe the effect on the axial flow velocities in the downcomer.

- Bias error

- Flow areas

The downcomer flow areas for Analysis Case 1 (seven operating RIPs) were reduced by [ ]° to increase the calculated downcomer velocities to account for a possible non-uniform velocity distribution for this operating configuration. The resulting increase in velocity is considered conservative, particularly for upper regions of the downcomer which are located far upstream of the effects of reverse flow through the non-operating RIPs.

- Uncertainty

- Volumetric flow rate

The global uncertainty on measurement uncertainty is discussed in detail in Reference 4-1. While there are sizable measurement uncertainties on flow rate measurement, there is significant margin between the flow rates chosen for the three analysis cases to bound the measurement uncertainty on flow rate. This is discussed in more detail in Reference 4-1.

### 4.2.4.2 Biases and Uncertainties on Lower Plenum Velocities

Factors which may introduce a bias error or uncertainty into the CFD analyses are listed, and discussions are provided to describe the effect of the crossflow velocity on the lower plenum components.

- Bias error

- Numerical diffusion

The effect from numerical diffusion, i.e. discretization error, on the simulated maximum crossflow velocity at the shroud support leg opening is evaluated by a grid-spacing sensitivity study. As a result, the discretization error of the present analysis is estimated at [ ]°, which is considered sufficiently small.

- Uncertainty

- Volumetric core flow rate

Since the uncertainty on volumetric core flow rate is small enough that it will not impact the order of Reynolds numbers, the flow fields can be considered similar within the

uncertainty range of volumetric core flow rate. In this situation, local velocity is almost proportional to volumetric core flow rate and the uncertainty percentage of the crossflow velocity on the lower plenum components is almost the same as the uncertainty percentage of volumetric core flow rate.

- Fluid properties (density and viscosity)

The uncertainties of the density and the viscosity of compressed water are mostly dependent on the uncertainty of temperature assumed. Since the uncertainty of temperature is small enough to make no difference to the order of the Reynolds number, the effect from fluid properties on the simulated crossflow velocity to the lower plenum components can be ignored.

- Turbulence quantities specified as inlet boundary conditions

The effect from turbulence quantities specified as inlet boundary conditions on the simulated maximum crossflow velocity at the shroud support leg opening is evaluated by a sensitivity study. As a result, the uncertainty of analysis results from the uncertainty of turbulence quantities specified at the inlet is evaluated at [ ]%, which is considered sufficiently small.

#### 4.2.4.3 Biases and Uncertainties on Velocities in the Top Guide, Shroud Head, and Separators

Factors which may introduce a bias error or uncertainty into the velocity analyses and the resulting effect on the axial flow velocities for the components located above the core are discussed below.

- Bias error
- Flow areas

The flow areas for Analysis Case 1 (7 operating RIPs) were reduced by [ ]% to increase the calculated downcomer velocities to account for a possible non-uniform velocity distribution for this operating configuration. The resulting increase in velocity is believed to be conservative, particularly for upper regions of the downcomer located far upstream of the effects of reverse flow through the non-operating RIPs.

- Uncertainty
- Volumetric flow rate

While there are sizable measurement uncertainties on flow rate measurement, there is significant margin between the flow rates chosen for the three analysis cases to bound the measurement uncertainty on flow rate.

### 4.3 FORCING FUNCTIONS - METHODOLOGY

The reactor internals components are subjected to several categories of flow-related loads:

- Narrowband vortex shedding (crossflow)
- Broadband turbulence (crossflow or turbulent source)
- Pump-induced acoustic pulsations

The determination of vortex shedding and turbulent loads is summarized below. Pump-induced pulsation loads are defined in Reference 4-1.

#### 4.3.1 Vortex Shedding and Turbulence Buffeting Loads

One of two phenomena occurs for crossflow vibrations: vortex shedding or random turbulence. The phenomena appropriate for a given application depend on the Reynolds number as summarized below.

For vortex shedding or turbulence excitation by crossflow, the alternating lift coefficient, alternating drag coefficient and Strouhal number are functions of the Reynolds number. Vortex shedding occurs when the Reynolds number is in the ranges of  $0 - 2 \times 10^5$  and  $4 \times 10^6 - 1 \times 10^8$ . Turbulence occurs when the Reynolds number is in the range of  $2 \times 10^5 - 4 \times 10^6$ . Details of the derivation of the vortex shedding and turbulent buffeting loads are documented in Reference 4-1.

#### 4.3.2 Pump-Induced Pulsation Loads

Pump-induced pressure pulsations at the one-per-revolution and vane-passing frequencies have been known to cause significant loads on plant components when they occur at acoustical modes of the system. To provide a continuous internal circulation path for the core coolant flow, STP Unit 3 has ten RIPs circumferentially distributed around the entrance to the vessel inlet plenum. A method for predicting the pump-induced pulsation loads using the ACSTIC2 acoustic harmonic analysis computer program is described in Reference 4-3. ACSTIC2 was used to model the STP Unit 3 fluid systems and to evaluate acoustical loads acting on reactor internal components. Details of the pump-induced pulsation loads are documented in Reference 4-1.

## 4.4 FORCING FUNCTIONS

Forcing functions are determined for each of the reactor internal components based on size and location within the reactor pressure vessel and for each analysis case. The forcing functions are divided into four main categories:

- Large components in the downcomer region,
- Small components in the downcomer region,
- Components in the lower plenum, and
- Components above the core.

Details of the forcing functions are documented in Reference 4-1.

### 4.4.1 Large Components in the Downcomer Region

The large components located in the downcomer region include the top guide shell, core shroud, and the shroud support. The forcing functions for these components are turbulent spectra for each analysis case.

### 4.4.2 Small Components in the Downcomer Region

The small components located in the downcomer region include the specimen holder, RIP guide rails, shroud head lifting rods, shroud head bolts, feedwater spargers, LPFL spargers, and HPCF spargers. The specimen holder is subjected to axial turbulent buffeting loads that are defined as turbulent spectra. The RIP guide rails are subjected to crossflow turbulent buffeting in the downcomer region are defined as turbulent spectra. The lifting rods are subjected to both axial and crossflow turbulent buffeting that are defined as velocities. The shroud head bolts are subjected to both axial flow and crossflow turbulent buffeting that are defined as turbulent spectra. The feedwater, LPFL and HPCF spargers are subjected to axial turbulent buffeting that are defined as turbulent spectra.

### 4.4.3 Components in the Lower Plenum

The components located in the lower plenum include the CRDH/CRGTs, the ICMH/ICGTs, stabilizers, CP DP lines, and RIP DP lines. The forcing functions for the CRDH/CRGTs, ICMH/ICGTs, and the stabilizers were calculated using the turbulent buffeting relationships for crossflow. The forcing functions for the CP DP and RIP DP lines were calculated using the turbulent buffeting relationships for both axial flow and crossflow.

### 4.4.4 Components Above the Core

The non-dryer components located above the core are the top guide, shroud head, steam separators, and HPCF sparger. The forcing functions for these components were calculated using turbulent buffeting relationships for axial flow. In addition, turbulent buffeting relationships were used to calculate crossflow forcing functions for the stand pipe region of the separators where returning flow from the separators

cross the stand pipes as flow moves towards the downcomer region. Crossflow is not significant in the top guide and shroud head regions because the flow is generally directed upwards towards the entrance of the separators.

#### 4.4.5 Pump Pulsation Loads

Analysis results were obtained for Analysis Cases 1, 4, and 4' for pump frequencies representing the pump rotational speed, twice the pump rotational speed, and five times the pump rotational speed. These pump pulsation loads were developed in two ways:

1. As a pressure differential amplitude across a component (e.g., core shroud wall and beam mode pressure difference)
2. As a pressure gradient amplitude (pressure difference per unit length)

The pressure difference approach is used for large components for which the stream-wise distance across the component is significant, such as for the two sides of the core shroud wall. The pressure gradient amplitude approach is used for small components, such as the CP/DP line, in which the stream-wise dimension of the component is small compared to the acoustic wavelength. In these cases, the pressure gradient amplitude must be multiplied by the dimension of the component (e.g., diameter) to obtain the pressure difference amplitude.

Pump-induced acoustic loads acting on the reactor internals were calculated for STP Unit 3 and are documented in detail in Reference 4-1. These loads were calculated for three operating conditions and three pump frequencies (the rotational speed, twice the rotational speed, and five times the rotational speed). The following observations can be drawn from the analysis:

1. Pump flow-induced vibration analyses, forcing function and analysis results documented in detail in Reference 4-1. The results are consistent with previous reactor internals FIV analyses performed by Westinghouse.
2. The maximum pressure differential is approximately [ ]° across the core shroud wall at the upper middle of the core shroud. The maximum differential pressure in the annular downcomer section across the shroud is [ ]°.

##### 4.4.5.1 Biases and Uncertainties

This section discusses biases and uncertainties associated with the pump pulsation analysis.

a.c

a,c

---

#### **4.5 REFERENCES FOR SECTION 4**

- 4-1 Westinghouse Report, WCAP-17371-P, Revision 7, "South Texas Project Units 3 and 4 Reactor Internals Non-Dryer Component Flow-Induced Vibration Assessment," September 2013. (Proprietary)
- 4-2 Toshiba Document, 7B11-D001-3809-02, Rev. 2, "Forcing Function Analysis Report for Lower Plenum," January 2011. (Proprietary)
- 4-3 "A Method for Predicting Pump-Induced Acoustic Pressures in Fluid-Handling Systems," American Society of Mechanical Engineers, PVP-Vol. 63 (1982): pg. 167-184.
- 4-4 U.S. NRC Regulatory Guide 1.20, Revision 3, "Comprehensive Vibration Assessment Program for Reactor Internals during Preoperational and Initial Startup Testing," March 2007.

---

## 5 STRUCTURAL RESPONSES – NON-DRYER COMPONENTS

Finite element modes (FEMs) were generated using general purpose finite element programs, ANSYS® (Reference 5-1) and ABAQUS (Reference 5-2). Modal and stress analyses were performed for the non-dryer components and are described in Sections 5.1 and 5.2, respectively.

### 5.1 MODAL ANALYSIS

#### 5.1.1 Methods

FEMs were built for each of the reactor internal components. ABAQUS models were generated for the following reactor internal components. The Block Lanczos method is used to determine the natural frequencies and corresponding mode shapes.

- CRDH and CRGT
- ICGT and ICMH
- HPCF sparger and coupling
- Core shroud

ANSYS® models were generated for the following reactor internal components. The Block Lanczos method is used to determine the natural frequencies and corresponding mode shapes.

- Shroud head bolts
- Shroud head lifting rods
- CP DP lines
- RIP DP lines
- FW spargers
- LPFL spargers
- RIP guide rails
- Shroud head and steam separators
- Lower guide rods

For the remaining internal components listed below, assessments are made to show that the vibration characteristics of these components are acceptable. This includes an assessment of the separation of the

---

component's natural frequencies versus the forcing frequencies, and the magnitude of the forcing functions.

- Top guide
- Core plate steam vent and spray
- Specimen holders

In addition, the specimen holders have been evaluated for the forcing function frequencies below the first mode, which demonstrates that all stresses due to FIV are negligible. Based on current plant experience, the orificed fuel supports do not need to be evaluated, because FIV will not occur on this component.

In order to validate the FEM developed for the analysis, the results were compared with the RJ-ABWR data (when available). The modal analyses of the following components were compared to RJ-ABWR frequency data (hammer test):

- CRDH and CRGT
- ICGT and ICMH
- HPCF sparger and coupling

### **5.1.2 Modal Analysis Results**

Natural frequencies and mode shapes were calculated and the fundamental frequency results are summarized below for the non-dryer components. Details are documented in Reference 5-3.

Table 5.1.2-1 contains a list of the components analyzed and their lowest predicted natural frequencies.

**Table 5.1.2-1 Component Lowest Natural Frequency**

[Empty table area]

c

### **5.1.3 Biases and Uncertainties**

The uncertainties in this analysis are small and in some cases boundary conditions are chosen to give conservative results related to the loads. Details for the biases and uncertainties are documented in Reference 5-3.



## 5.2.2 Stress Evaluation

The non-dryer reactor internals were evaluated for vortex shedding, turbulent buffeting and pump induced pulsations loads, as appropriate, as described in Section 4. The stresses calculated from different random vibration loads are combined using the square root sum of the squares method (SRSS).

SRSS can be used to combine the responses from different load sources, i.e., vortex shedding, pump pulsation and random turbulences. For certain low stress components, the absolute sum may be conservatively used to reduce the number of iterations.

Details of the stress evaluation are documented in Reference 5-3.

## 5.2.3 Acceptance Criteria

The requirement for fatigue evaluation is that normal operating conditions shall meet a fatigue limit of 9.95 ksi (68.6 MPa) per Reference 5-5. The fatigue factor is  $f = 4$  for welded structures per References 5-3 and 5-6.

## 5.2.4 Stress Results

Dynamic loading conditions, or flow-induced vibrations, produce cyclical stresses in the components. Reference 5-5 requires that a fatigue analysis be performed to show that the components will not suffer any fatigue damage. A measure of the fatigue margin for a given component is provided by the ratio of the peak alternating stress for the component (ksi) divided by the endurance limit of 9.95 ksi, or:

$$\text{Fatigue margin} = (\text{Peak Component Alternating Stress, ksi}) / (\text{Endurance Limit of 9.95 ksi})$$

Table 2.2-1 presents the fatigue margins for the non-dryer reactor internal components based on bounding operating conditions. Details are provided in Reference 5-3.

### **5.2.5 Biases and Uncertainties**

The uncertainties in this analysis are small and in some cases boundary conditions are chosen to give conservative results for the loads. Details for the biases and uncertainties are documented in Reference 5-3.

---

### 5.3 REFERENCES FOR SECTION 5

- 5-1 ANSYS® Release 10.0 UP20050718.
- 5-2 ABAQUS, Version 6.6-3.
- 5-3 Westinghouse Report, WCAP-17371-P, Revision 7, "South Texas Units 3 and 4 Reactor Internals Non-Dryer Component Flow-Induced Vibration Assessment," September 2013. (Proprietary)
- 5-4 Westinghouse Letter, LTR-RIDA-10-294, Rev. 0, "Recommended Damping Ratio, Peak-to-RMS Ratio, and Stress Concentration Factor Application for ABWR Reactor Internals Flow-Induced Vibration Analysis," 10/28/2010. (Proprietary)
- 5-5 ABWR Design Control Document, Rev. 4.
- 5-6 ASME Boiler and Pressure Vessel Code, Division I, Section III, 1989 Edition, with no Addenda.
- 5-7 U.S. NRC Regulatory Guide 1.20, Rev. 3, "Comprehensive Vibration Assessment Program for Reactor Internals during Preoperational and Initial Startup Testing," March 2007.
- 5-8 XGEN Report, XGEN-2010-03R2, "FIV Evaluation of STP Unit 3/4 Reactor Internals: Top Guide, Core Plate, Vent and Head Spray, Surveillance Specimen Holder and Fuel Support Casting," January 2011. (Proprietary)

## 6 STEAM DRYER QUALIFICATION

The main function of the steam dryer in a Boiling Water Reactor (BWR) is to remove moisture from the steam in order to minimize erosion of piping and the turbine. The dryer is not safety-related and is not an ASME Code component. Although there have been some differences in the design configuration of the steam dryer with evolution of BWR types (BWR/2-6) and the ABWR, the basic features of the dryer have remained the same.

The steam dryer assembly is mounted in the reactor vessel above the separator assembly and forms the top and sides of the wet steam plenum. During refueling operations, the dryer is removed to allow access to the reactor core. Vertical guide rods on the inside of the vessel provide alignment for the dryer assembly during re-installation. The dryer assembly is supported by brackets extending inward from the vessel wall and is held down in position during operation by the vessel head hold down brackets. Steam from the separators flows upward and outward through the dryer's drying vanes. These vanes are attached to a top and bottom supporting member forming a rigid integral unit. Moisture is removed and carried by a system of troughs and drains to the pool surrounding the separators and then into the recirculation downcomer annulus between the core shroud and reactor vessel wall.

RG 1.20 provides guidance for the CVAP for nuclear power plants during preoperational and initial startup testing. The program is intended to demonstrate that the reactor internals are adequately designed to withstand FIV forces at normal and transient plant operating conditions for the design life of the plant. The ABWR was designed and certified under RG 1.20 Revision 2. This same design is employed in multiple ABWR plants in Japan. One of those Japanese ABWRs, as described in Reference 6-3 and referred to as the reference Japanese ABWR (RJ-ABWR), commenced commercial operation in 1996 after going through extensive preoperational and start-up testing to confirm that the reactor internals are adequately designed to withstand FIV loads. The RJ-ABWR steam dryer has an excellent operating history as demonstrated by tests and inspections. The latest revision (Revision 3, March 2007) of RG 1.20 contains additional requirements based on recent BWR experiences on steam dryers. Based on the need to address the current guidance, STPNOC (now NINA) decided that STP Unit 3 reactor internals will be designated as the U.S. ABWR prototype.

### 6.1 APPROACH - OVERVIEW

As stated above, the steam dryer design in the ABWR certified design was developed to satisfy the guidance of RG 1.20 Revision 2. The Final Safety Evaluation Report (FSER) for the ABWR (NUREG-1503), which states that the response of the dryer to FIV must be predicted before final design approval, discusses the analyses that were done by the Design Certification (DC) applicant which were reviewed by the NRC staff. The FSER concludes that the combination of predictive analysis, pre-test inspections, tests, and post-test inspections assures that the reactor internals will perform without loss of structural integrity. The DCD specifies a peak stress amplitude limit that is significantly lower than the ASME Code allowable value (the ASME allowable is approximately 37% higher than the DCD allowable value). Thus the certified dryer design has a predictive analysis that is adequate for this lower allowable stress. This has been confirmed by pre-operational testing at the RJ-ABWR, which confirmed the peak and alternating stresses in the steam dryer meet the allowable limit, and that the maximum stresses are less than this conservative allowable limit.

RG 1.20 Revision 3 Part D – Implementation, states, “Except in those cases in which a licensee proposes or has previously established an acceptable alternative method for complying with specified portions of the NRC’s regulations, the NRC staff will use the methods described in this guide...”. Because the certified ABWR steam dryer design was not designed specifically to meet the guidance of RG 1.20 Revision 3 (as portions of this guidance were not available at the time), but was designed to satisfy the earlier guidance of RG 1.20 Revision 2, the approach to show the structural acceptability of the dryer is to use a combination of the previously established qualification of the dryer along with a proposed alternative to provide a means to demonstrate that the reactor internals will perform without loss of structural integrity, as discussed in the FSER. The alternative approach consists of the activities as described in the following paragraphs:

### Operating Experience

The STP dryers are the same as the RJ-ABWR and [ ]<sup>a,c</sup>, herein referred to as the J-ABWR. The RJ-ABWR has operated for over twelve years and the J-ABWR has operated since 2005. The operating ABWRs have dryers that are the same in both configuration and plant operating conditions. The dryers for both operating plants have been inspected and no indications have been found. In addition, the ABWR dryer incorporates improvements in the dryer design that result in greater structural capability and better performance than earlier dryer designs.

### Design Modifications to Avoid Acoustic Resonance

[ ]<sup>a,c</sup> was performed to determine if an acoustic resonance would occur for power levels up to 100%. [ ]

[ ]<sup>a,c</sup> eliminated the acoustic resonance.

### Dryer Instrumentation During Startup

The STP Unit 3 dryer instrumentation uses an [ ]<sup>a,c</sup> and relies on the [ ]<sup>a,c</sup> to determine associated stress response due to a [ ]<sup>a,c</sup> that is used to determine locations. It also locates instruments to confirm the load definition and measure the steady state operating stresses. The [ ]<sup>a,c</sup> refers to the acoustic field in the steam dome and the associated stress response resulting when imposing a [ ]<sup>a,c</sup> at one of the main steam line (MSL) entrances while setting the [ ]<sup>a,c</sup>. Each solution is calculated numerically by solving the Helmholtz equation in the steam dome for the given acoustic sources and calculating the stress response on the steam dryer resulting from this acoustic load. Dryer locations that show [ ]<sup>a,c</sup> are used to determine the sensor types and locations.

---

Structural Evaluation Using RJ-ABWR Data

A structural evaluation of the STP steam dryer was performed using RJ-ABWR startup data. The results of this structural evaluation confirmed that the dryer stresses were below the allowable limit of 9.95 ksi (68.6 MPa).

Power Ascension Plan

To ensure that the dryer stresses are below the allowable limit, a confirmatory power ascension plan will be executed during initial plant startup. The plant will be held at 60% power to collect dryer measurement data and to compute the minimum stress ratio. Limit curves will be generated for continuing power ascension. At increments of 10% power up to 100%, dryer measurement data will be collected, the minimum stress ratio will be computed, and limit curves will be generated.

Thus, the [

] <sup>a,c</sup> will ensure

the structural adequacy of the STP steam dryer to withstand FIV loads.

## 6.2 OPERATING EXPERIENCE

The ABWR is an evolutionary design that builds on operating BWR experience and includes significant design improvements in the dryer design.

Historically, there have been instances of minor cracking in BWR steam dryers, with the exception of the more significant Quad Cities EPU-related dryer cracking. A variety of options, (e.g., hole drilling to stop crack growth, increasing weld size and replacement of plates with thicker plates), have been implemented successfully as design fixes. Cracking in the dryer would have to be very significant to cause structural integrity concerns. Because dryers are visually inspected after removal in outages, significant cracking and associated loose parts due to cracking during the subsequent cycle are unlikely (the experience at the two Quad Cities units was an exception because of the Electromatic Relief Valve (ERV) stand pipe configuration which caused acoustic resonance and subsequent dryer cracks when EPU conditions were applied). When cracking has occurred as a result of plant operation, design fixes were implemented successfully and subsequent designs (such as the RJ-ABWR) incorporated the design fix ideas applied to the previous dryer designs. The successful operating experience with the RJ-ABWR and J-ABWR dryers (which are the same as the STP dryers) shows that the design improvements based on the fixes for previous steam dryer problems have been effective. Reference 6-3 documents the successful operating experience and results of inspections of two operating ABWRs. Table 6.2-1 shows a summary of the improvements to the ABWR dryers.

The ABWR dryer operating experience is documented in Reference 6-3 and describes the operating experience as well as the inspection results for two operating ABWRs. The STP dryers are the same geometry (configuration) and plant operating parameters as the RJ-ABWR and J-ABWR. RJ-ABWR commenced commercial operation in 1996 and J-ABWR commenced commercial operation in January 2005. Table 6.2-2 tabulates the significant dimensions of the STP dryers as compared to RJ-ABWR and J-ABWR. Table 6.2-3 compares the plant operating parameters between STP, RJ-ABWR, and J-ABWR and shows that the operating conditions for STP are the same as those ABWRs with successful operation.

In 2007, RJ-ABWR experienced an earthquake that exceeded the original seismic design and the plant was shutdown for inspections and evaluations. The equivalent of an ASME VT-3 inspection was performed on the RJ-ABWR dryer and no indications were found. In addition, the equivalent of an ASME VT-1 inspection was performed on the J-ABWR dryer and no indications were found. Details of the inspections are contained in Reference 6-3.

Since the design and operation of the STP dryers are the same as the RJ-ABWR and J-ABWR, the performance of the STP dryers are expected to be the same.

**Table 6.2-1 [**

**]**<sup>a,c</sup>

<b>Cracking Attribute</b>	
<b>Component</b>	Support Ring
	Drain Channel
	Dryer Hood
	Tie Bar
	Skirt
	Lifting Rod
<b>Cracking Mechanism</b>	IGSCC
	Fatigue
	Crevice cracking
	Acoustic Resonance
<b>Regulatory Codes</b>	ASME
	BWRVIP

<sup>a,b,c</sup>

**Table 6.2-2 Comparison of Dimensions Between STP, RJ-ABWR, and J-ABWR Dryers**

a,b,c



**Table 6.2-3 Comparison of the Operational Parameters Between STP, RJ-ABWR and J-ABWR**

a,b,c



### 6.3 ELIMINATION OF ACOUSTIC RESONANCE

Startup data for the RJ-ABWR shows [

] <sup>a,c</sup>

a,c

#### 6.3.1 Design Modification

a,c

**Figure 6.3-1 Modified Stand Pipe Design**

### 6.3.2 Subscale Test

Subscale tests were performed for STP Unit 3; the test loop consisted of a four loop acoustic test model. The four loop acoustic test model includes the reactor and plant from the steam-water interface in the RPV to the pressure equalizer just upstream of the turbine, the four MSLs, and the SRVs. Figure 6.3.2-1 shows a photograph of the four loop test setup. A summary of the subscale test is contained in Reference 6-2.

A [ ]<sup>a,c</sup> to the [ ]

] <sup>a,c</sup>.

Tests were performed that corresponded to plant operation at [ ]<sup>a,c</sup> configurations.

#### Subscale Test Results

The RJ-ABWR SRV [ ]

] <sup>a,c</sup>.

The [ ] <sup>a,c</sup> and a single line subscale test was performed to confirm that acoustic resonance will not occur for operating conditions up to 100% power. The results of the [ ] <sup>a,c</sup> (Reference 6-2).

#### Conclusion

The modification to [ ] <sup>a,c</sup> will eliminate acoustic resonance for STP Unit 3.

a,c

**Figure 6.3.2-1 [ ]<sup>a,c</sup>**

## 6.4 DRYER STARTUP INSTRUMENTATION

In order to determine the acoustic loads acting on the STP steam dryer and the associated dryer stresses, the dryer will be instrumented with a collection of pressure transducers (PTs), strain gages (SGs) and accelerometers. This section documents the methodology and instrumentation to be used for the STP Unit 3 steam dryer stress monitoring during the power ascension to 100%. [

] <sup>a,c</sup>

Steam dryer stress estimation [ ] <sup>a,c</sup>. The [

] <sup>a,c</sup>

For this reason, the [

] <sup>a,c</sup>

In addition to describing the general methodology, this discussion delineates the locations of the various sensors used and provides reasons for their selection. The instrumentation for the STP Unit 3 dryer consists of [ ] <sup>a,c</sup> PTs and [ ] <sup>a,c</sup> SGs with [ ] <sup>a,c</sup> accelerometers intended to monitor dryer rocking. The selection of the PT locations is based on a combination of [

] <sup>a,c</sup>

Details of the overall methodology and key aspects of numerical implementation of this method are documented in Reference 6-2.

#### 6.4.1 Finite Element Model

The STP steam dryer FEM was built with ANSYS<sup>®</sup> Version 11. The FEM consists of mostly [ ] <sup>a,c</sup>. The model has [ ] <sup>a,c</sup> nodes and [ ] <sup>a,c</sup> elements. Figure 6.4.1-1 shows a plot of the finite element model. Details of the development of the FEM are summarized in Reference 6-2.



Figure 6.4.1-1 Steam Dryer FEM

---

#### **6.4.1.1 Modal Analysis**

As part of the preoperational and startup testing for the RJ-ABWR, a hammer test was performed to identify the as-built frequencies and mode shapes of several key components of the dryer at ambient environment conditions. Since the STP Unit 3 steam dryer is the same as the RJ-ABWR, the results of the RJ-ABWR hammer test can be compared to the modal analysis results for the STP Unit 3 steam dryer.

A modal analysis was performed for the STP Unit 3 dryer that incorporates the same boundary conditions as the hammer test of the RJ-ABWR for the purpose of comparing analytical and test results. The dryer components that were compared include the outer and middle hoods, cover plate (270-degree side with no manhole cover), skirt, and drain channel. Table 6.4.1-1 provides a summary of the comparison between the hammer test results and the STP Unit 3 analytical results. This comparison between the RJ-ABWR hammer test results and the STP FEM modal analysis results shows that the STP FEM provides a realistic representation of the actual dryer.

**Table 6.4.1-1 Comparison of RJ-ABWR Hammer Test and STP Modal Analysis Results**

a,c



## 6.4.2 Instrumentation Locations

The STP steam dryer will be instrumented with [ ]<sup>a,c</sup> PTs, two accelerometers and [ ]<sup>a,c</sup> SGs. In addition, strain gage measurements at two locations on each of the MSLs will also be recorded to establish the pressure responses at those locations, though the intent of that data is for information purposes only. Using the methodology described in Reference 6-2, it is planned to use the collected data to estimate the stresses on the steam dryer and quantify the biases and uncertainties and generate limit curves.

[

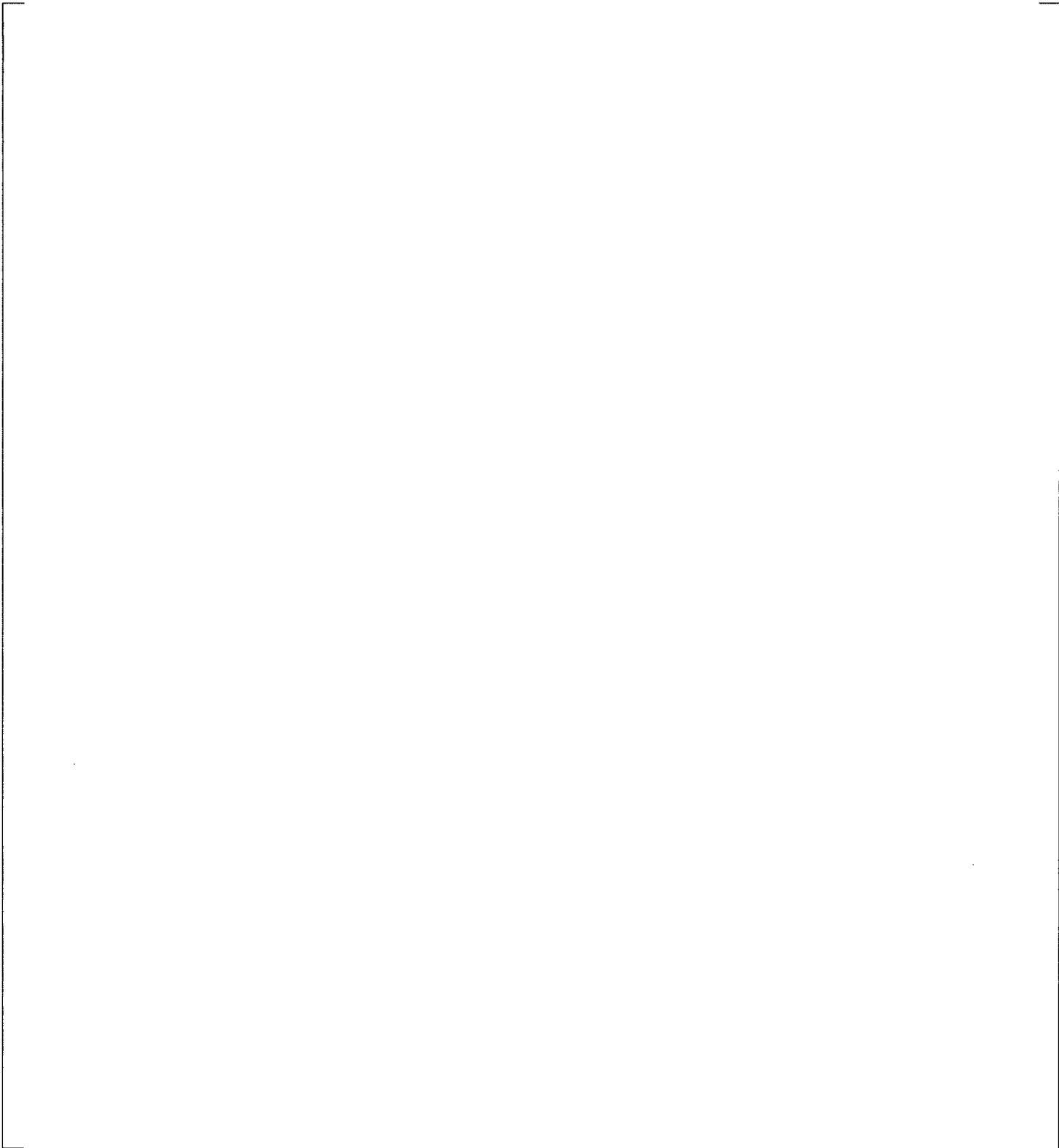
] a,c

### 6.4.2.1 Pressure Transducers

[

] a,c

**Table 6.4.2.1-1 PT Locations**



a,c



a,c

**Figure 6.4.2.1-1 PT Locations [**

**]**<sup>a,c</sup>



a,c



a,c

**Figure 6.4.2.1-2 PT Locations [**

**]**<sup>a,c</sup>



a,c

### 6.4.2.2 Strain Gages

The strain gage locations and orientations are selected by [

] <sup>a,c</sup>

[

] <sup>a,c</sup>

**Table 6.4.2.2-1 Strain Gage Locations**



a,c



a,c

**Figure 6.4.2.2-1 Strain Gage Locations [ ]<sup>a,c</sup>**

The stress contours represent estimated alternating stresses.



a,c

**Figure 6.4.2.2-2 Strain Gage Locations [ ]<sup>a,c</sup>**

The stress contours represent estimated alternating stresses.

**6.4.2.3 Accelerometers**



**Table 6.4.2.3-1 Accelerometer Locations**



**Figure 6.4.2.3-1 Accelerometer Locations**

## **6.5 STRUCTURAL EVALUATION USING RJ-ABWR STARTUP DATA**

While the primary basis for qualification of the STP steam dryer is operating experience, a structural evaluation of the STP steam dryer was performed using RJ-ABWR startup data. The results of this structural evaluation showed that the dryer stresses were below the allowable limit of 9.95 ksi (68.6 MPa). The calculated stress was 8948 psi which corresponds to a stress ratio,  $SR = 1.11$ . Details of the evaluation are contained in Reference 6-2, Section 5.5.

## 6.6 STEAM DRYER POWER ASCENSION PLAN

The power ascension plan for the steam dryer will include an initial hold point at 60% power to collect steam dryer data and generate limit curves to ensure that the steam dryer stresses are below the allowable limit. At 60% power, the flow is approximately [ ]<sup>a,c</sup> 100%; thus no acoustic resonance is expected to occur. Thereafter, for every 10% power increment up to 100% power, the plant will hold power to collect steam dryer data and generate limit curves.

To ensure that the dryer stresses are within acceptable limits, the following process will be used during initial startup power ascension:

1. Power will be held at approximately 60% power so that dryer instrumentation data can be collected and the minimum stress ratio will be computed. Limit curves will be generated for continuing power ascension based on selected PTs on the STP Unit 3 steam dryer. The limit curves will be provided to the NRC.

Measurements at a minimum of twelve PT locations will be used during power ascension so that monopole and dipole sources can be computed at each of the four MSL entrances. The MSLs will be instrumented with strain gages for informational purposes. MSL data are not used in the STP steam dryer qualification.

2. Power ascension will continue to 70% power and the limit curves will be redrawn. If the limit curves are not exceeded, power ascension will continue and the revised limit curves will be supplied to the NRC. If the limit curves are exceeded, the procedure discussed below will be followed.
3. Power ascension will continue to 80% power and the limit curves will be redrawn. If the limit curves are not exceeded, power ascension will continue and the revised limit curves will be supplied to the NRC. If the limit curves are exceeded, the procedure discussed below will be followed.
4. Power ascension will continue to 90% power and the limit curves will be redrawn. If the limit curves are not exceeded, power ascension will continue, and the revised limit curves will be supplied to the NRC. If the limit curves are exceeded, the procedure discussed below will be followed.
5. Power ascension will continue to 100% power and the limit curves will be redrawn. A full stress report will then be prepared and submitted to the NRC per RG 1.20 Revision 3.

At the power levels defined above, accelerations, strains, and pressures will be recorded at selected locations on the STP Unit 3 steam dryer, and the procedure described below will be followed. [

] <sup>a,c</sup> The Level 1 limit curves are computed to reflect the maximum dryer stress does not exceed the allowable stress of 9.95 ksi (68.6 MPa). The Level 2 limit curves are obtained by multiplying the Level 1 curves by a factor of 0.64. The basis for the

Level 2 limit curves is that the pressures are limited to 80% of the Level 1 pressure values. Since the limit curves are in the form of PSDs, and the PSDs are proportional to the square of the pressures, the Level 2 limit curves are calculated to be 0.64 (i.e.,  $0.8^2$ ) times the Level 1 curve values.

[

] <sup>a,c</sup>

During power ascension, should a Level 2 limit curve be exceeded, the power will be held at that power level to perform a real-time stress analysis to develop new limit curves. Should a Level 1 limit curve be exceeded, the power will be reduced to a previous power level where Level 1 was not exceeded and a real-time stress analysis will be performed to develop new limit curves. Generating revised limit curves at increasing power levels accounts for the change in response at each frequency. Specifically, the response at some frequencies may increase while others decrease yet the maximum stress will still be below the allowable fatigue limit.

The validation of the use of data from pressure transducers on the STP Unit 3 dryer to determine the dryer load is described in Reference 6-2.

Bias and uncertainties are described in Reference 6-2 Section 6.5 [

] <sup>a,c</sup>

## 6.7 CONCLUSIONS

The structural adequacy of the STP Unit 3 dryer is primarily based on the successful operating experience of ABWRs that have been operating since 1996 in Japan. The approach to qualify the STP Unit 3 dryer using the guidance of RG 1.20, Revision 3 (Reference 6-1) is based on the following.

- Operating Experience

- The STP dryers are the same as the RJ-ABWR and the J-ABWR. The RJ-ABWR has operated since 1996 and the J-ABWR has operated since January 2005. The operating ABWRs have dryers that are the same in both configuration and plant operating conditions. The dryers for both operating plants were inspected and no indications were found or repairs performed on these dryers. In addition, the ABWR dryer incorporates improvements in the dryer design that result in greater structural capability and better performance than earlier dryer designs.

- Design Modifications to Avoid Acoustic Resonance

Subscale testing was performed to determine if an acoustic resonance would occur for power levels up to 100%. The initial subscale tests [ ]<sup>a,c</sup>. Although the operating experience and inspection results prove that this acoustic resonance does not result in dryer cracking, [ ]<sup>a,c</sup>. Additional subscale testing was performed to [ ]<sup>a,c</sup>.

- Instrumentation During Startup

The STP Unit 3 steam dryer will be instrumented and monitored during initial plant startup with pressure transducers, strain gages, and accelerometers. Instrument locations are selected based on prior experience and STP Unit 3 specific analysis..

- Structural Evaluation Using RJ-ABWR Startup Data

A structural evaluation of the STP Unit 3 steam dryer was performed using RJ-ABWR startup data and the calculated stresses were below the endurance limit.

- Power Ascension Plan

To ensure that the dryer stresses are below the allowable limit, a confirmatory power ascension plan will be executed during initial plant startup. The plant will be held at 60% power to collect steam dryer measurement data and to compute the minimum stress ratio. Limit curves will be generated for continuing power ascension. At increments of 10% power up to 100% power, dryer measurement data will be collected, the minimum stress ratio will be computed, and steam dryer data and limit curves will be generated.

---

In summary it can be stated that:

- The ABWR design is an evolutionary design that has incorporated design changes and improvements based upon operational experience of previous generations of BWR designs.
- RJ-ABWR has gone through an extensive preoperational and power testing during startup without any damage to the dryer.
- RJ-ABWR and J-ABWR have accumulated over 12 years of operation without any indication of damage to the dryers as evidenced by the thorough inspections programs described in Reference 6-3.
- RJ-ABWR and J-ABWR have never undergone any repairs to the dryers.
- STP Units 3 and 4 dryers are the same as the RJ-ABWR and J-ABWR in both structural configuration as well as operational parameters.
- Acoustic resonance has been eliminated due [ ]<sup>a,c</sup>
- The STP Unit 3 dryer will undergo a CVAP that involves a power ascension plan to hold the power level at 60% to collect pressure transducer to allow development of limit curves that will be utilized to go up to 100% power in discrete 10% steps.
- A structural evaluation of the STP Unit 3 steam dryer was performed using RJ-ABWR startup data and the calculated stresses were below the allowable limit.

This report concludes that based upon the discussion above, the STP Unit 3 dryer will meet the cyclic stress requirements and perform without degradation during power operation.

---

## 6.8 REFERENCES FOR SECTION 6

- 6-1 US NRC Regulatory Guide 1.20, Revision 3, "Comprehensive Vibration Assessment Program for Reactor Internals during Preoperational and Initial Startup Testing," March 2007.
- 6-2 Westinghouse Report, WCAP-17385-P, Revision 6, "STP Unit 3 Steam Dryer Flow-Induced Vibration Assessment," September 2013. (Proprietary)
- 6-3 Westinghouse Report, WCAP-17369-P, Revision 1, "ABWR Dryer Operating Experience for STP Units 3 and 4," February 2013. (Proprietary)

This page left intentionally blank.

---

## 7 ACCEPTANCE CRITERIA FOR CVAP TEST DATA

### 7.1 BASES FOR ACCEPTANCE CRITERIA

Details of the sensor types and locations are provided in Reference 7-1. Acceptance criteria will be developed for each of the sensors to be used during the CVAP. The categories of instrumentation include:

- Strain gages to measure local strain values for eventual use in determining stress values,
- Pressure transducers to measure deterministic pump pulsations and turbulence levels for comparison with predicted values,
- Accelerometers to measure local component accelerations for eventual use in determining component displacements,
- Displacement transducers for direct measurement of relative motion of components.

The acceptance criteria will focus exclusively on the dynamic responses of the instrumentation related to flow-induced vibration. Acceptance criteria will account for transducer locations, operating conditions for each test, uncertainties and biases, and margins to be added for conservatism to ensure that the allowable fatigue stress (9.95 ksi) will not be exceeded. Redundancy of the sensors is considered in the location and number of instruments.

Tables of maximum allowable test values will be generated for the sensors for use in the detailed test procedures. These maximum allowable test values will provide guidance for the test operators when they are conducting the CVAP tests. This information will allow the operators to determine the margins between the sensor values being measured and the maximum allowable test values as the tests are progressing.

---

## 7.2 REFERENCES FOR SECTION 7

- 7-1 Westinghouse Report, WCAP-17370-P, Revision 7, "South Texas Project Unit 3 Comprehensive Vibration Assessment Program, Measurement, Test and Inspection Plan," September 2013.  
(Proprietary)

---

## **8 EVALUATION PLAN**

To support the CVAP tests, a best estimate predictive analysis will be performed. In this analysis, the best estimate values of component stresses will be determined using best estimate values of the expected CVAP operating conditions and best estimate forcing functions. The best estimate stress values will be used as a basis for comparison with the measured values for evaluating the accuracy of the FIV predictive methods.

### **8.1 ADJUSTMENTS BETWEEN MEASURED AND PEAK STRESS LOCATIONS**

Peak calculated stresses are determined for each component, as well as the distribution of stresses throughout the component. Due to practical considerations, such as situations where peak stresses occur at welds or at threaded joints where strain gages cannot be positioned, difficulties in accessing a desired peak stress location, or difficulties in routing of instrument cables, CVAP instrumentation may have to be located in non-peak stress positions. In these cases, adjustments will be made to scale the measured strains and resulting stresses to the peak stresses for the component. These adjustments will be factored into the determination of the acceptance criteria for the CVAP instruments.

### **8.2 ADJUSTMENTS BETWEEN MEASURED AND CALCULATED OPERATING CONDITIONS**

Small differences may exist between the actual measured CVAP test conditions and the calculated test conditions for the CVAP test point that were used to define the analytical forcing functions and resulting calculated stresses. An allowance will be determined which will cover possible variations between measured and calculated operating conditions. The effect of this allowance will be taken into account when establishing the acceptance criteria for the CVAP instruments.

### **8.3 ADJUSTMENTS DUE TO EFFECTS OF BIASES AND UNCERTAINTIES**

There will be biases and measurement uncertainties associated with determining the CVAP operating conditions and the measured vibration parameter values during the CVAP tests. These biases and uncertainties will be taken into consideration when establishing the acceptance criteria for the CVAP instruments.

This page left intentionally blank.

---

## 9 CONCLUSIONS

Westinghouse/Toshiba has analyzed the STP Unit 3 reactor internal components.

Non dryer components are analyzed under bounding conditions to evaluate the expected flow-induced vibration levels during test and normal operating conditions.

The structural acceptability of the dryer is primarily based on the successful operating experience of ABWRs with the elimination of acoustic resonance and structural evaluation of the dryer using RJ-ABWR startup data. The evaluations and assessment show that the vibration levels of the reactor internal components are acceptable and that the STP Unit 3 internals design is adequate.

The recommendations of NRC Regulatory Guide 1.20, Revision 3 will be satisfied by conducting confirmatory preoperational and startup measurement tests as well as surface inspections of the internal components before and after operation. Such a program constitutes the CVAP. CVAP tests and inspections are planned for STP Unit 3 and are outlined in Sections 1.2 and 1.3.

This page left intentionally blank.