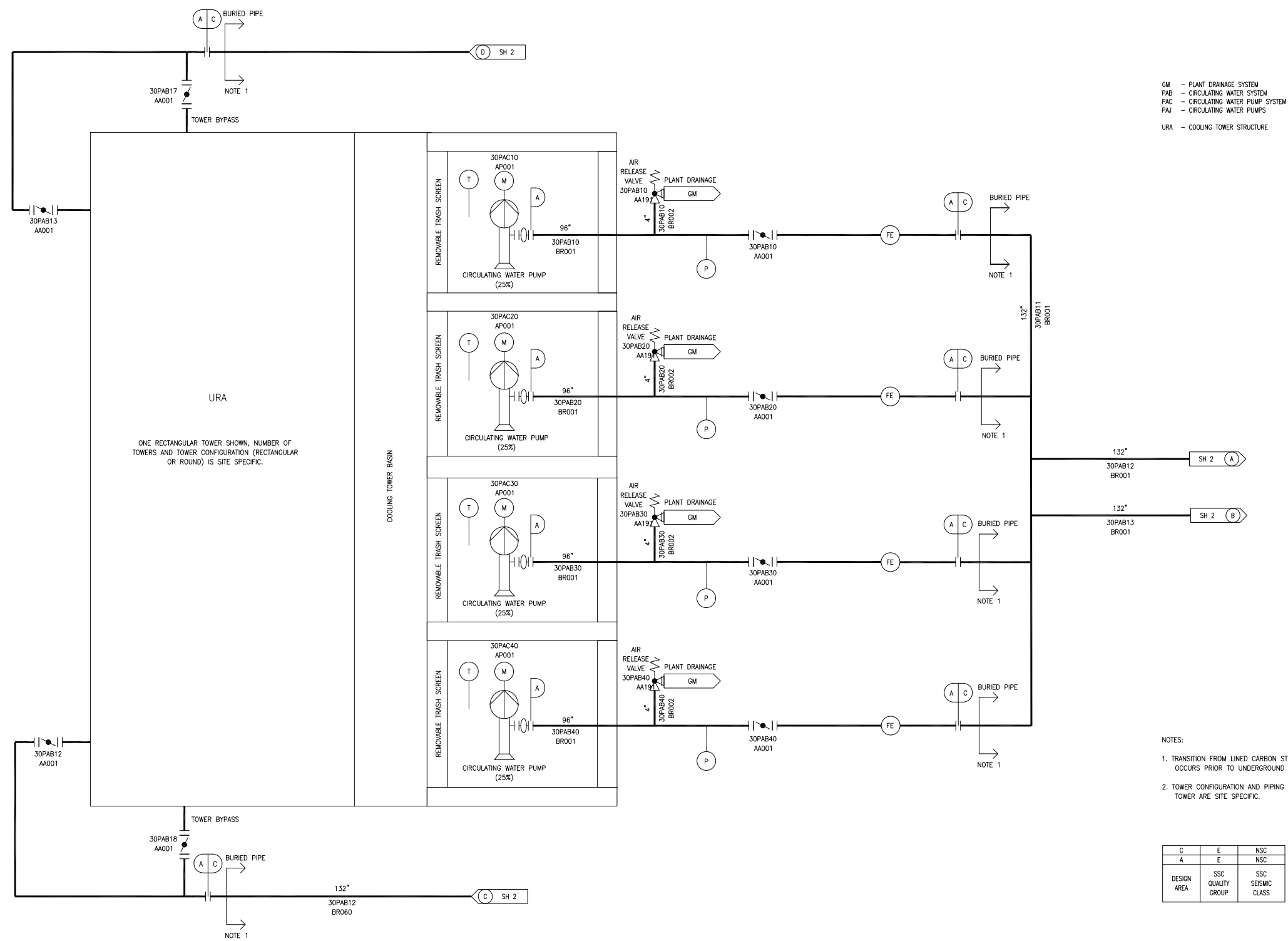
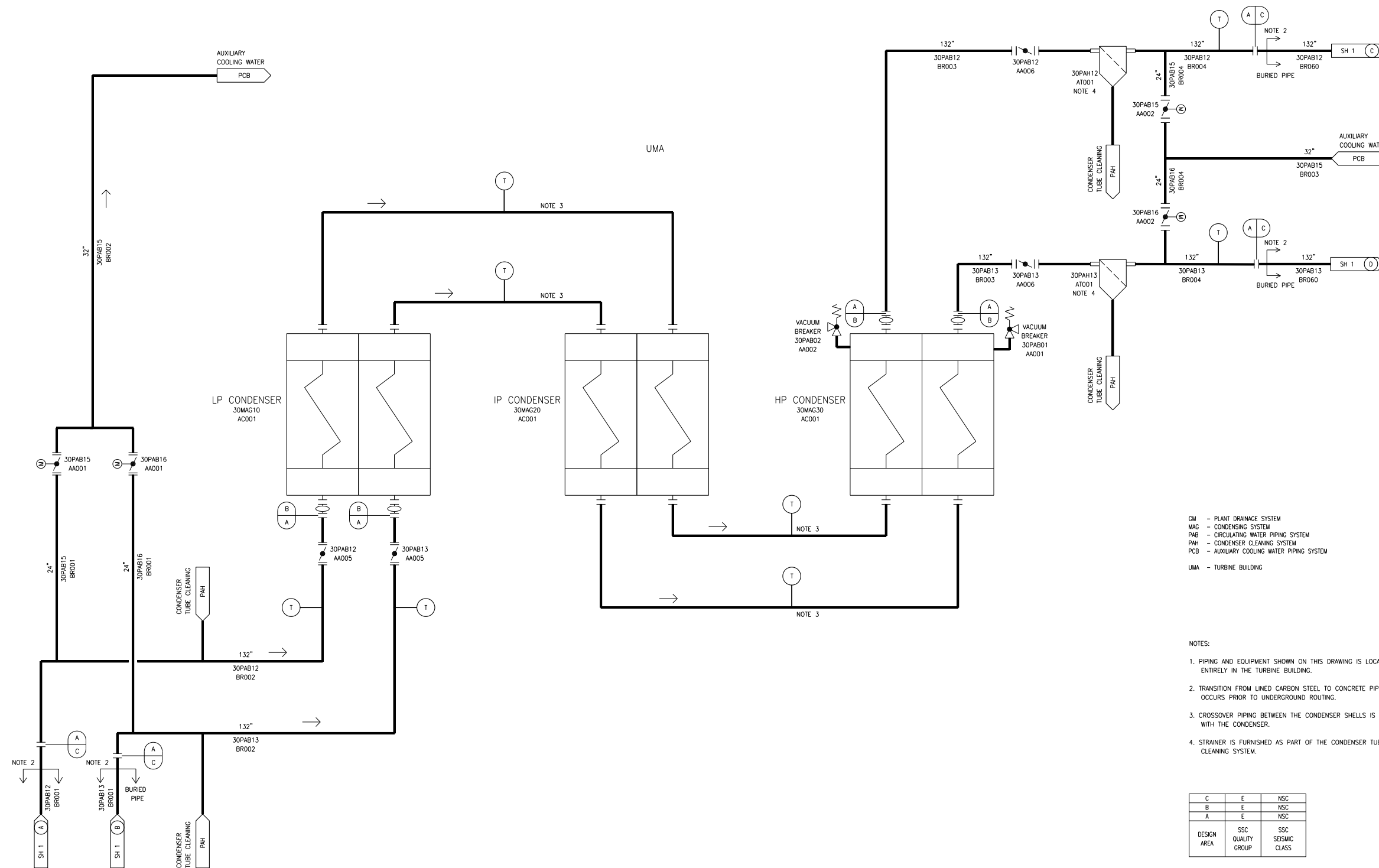


Figure 10.4.5-1—Circulating Water System Flow Diagram  
Sheet 1 of 2



REV 003  
PAB01T2

Figure 10.4.5-1—Circulating Water System Flow Diagram  
Sheet 2 of 2



PAB02T2