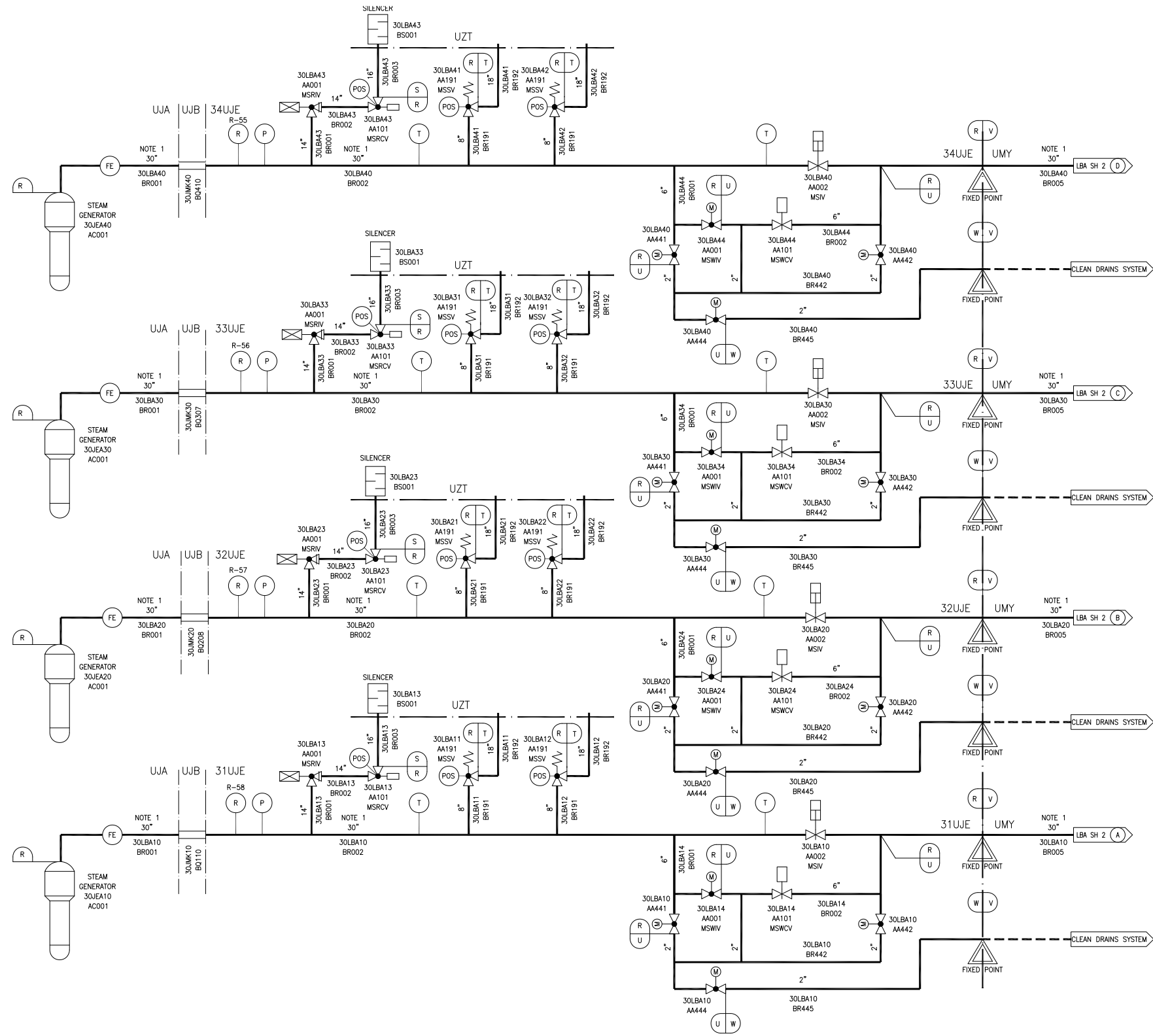


Figure 10.3-1—Main Steam Supply System  
Sheet 1 of 2



JEA - STEAM GENERATOR  
 JMK - PIPING PENETRATIONS  
 LBA - MAIN STEAM PIPING SYSTEM  
 UJA - REACTOR BUILDING  
 UJB - REACTOR BUILDING ANNULUS  
 31UJE - MAIN STEAM AND FEEDWATER VALVE ROOM, DIVISION 1  
 32UJE - MAIN STEAM AND FEEDWATER VALVE ROOM, DIVISION 2  
 33UJE - MAIN STEAM AND FEEDWATER VALVE ROOM, DIVISION 3  
 34UJE - MAIN STEAM AND FEEDWATER VALVE ROOM, DIVISION 4  
 UMY - PIPE BRIDGE  
 UZT - OUTDOOR AREA

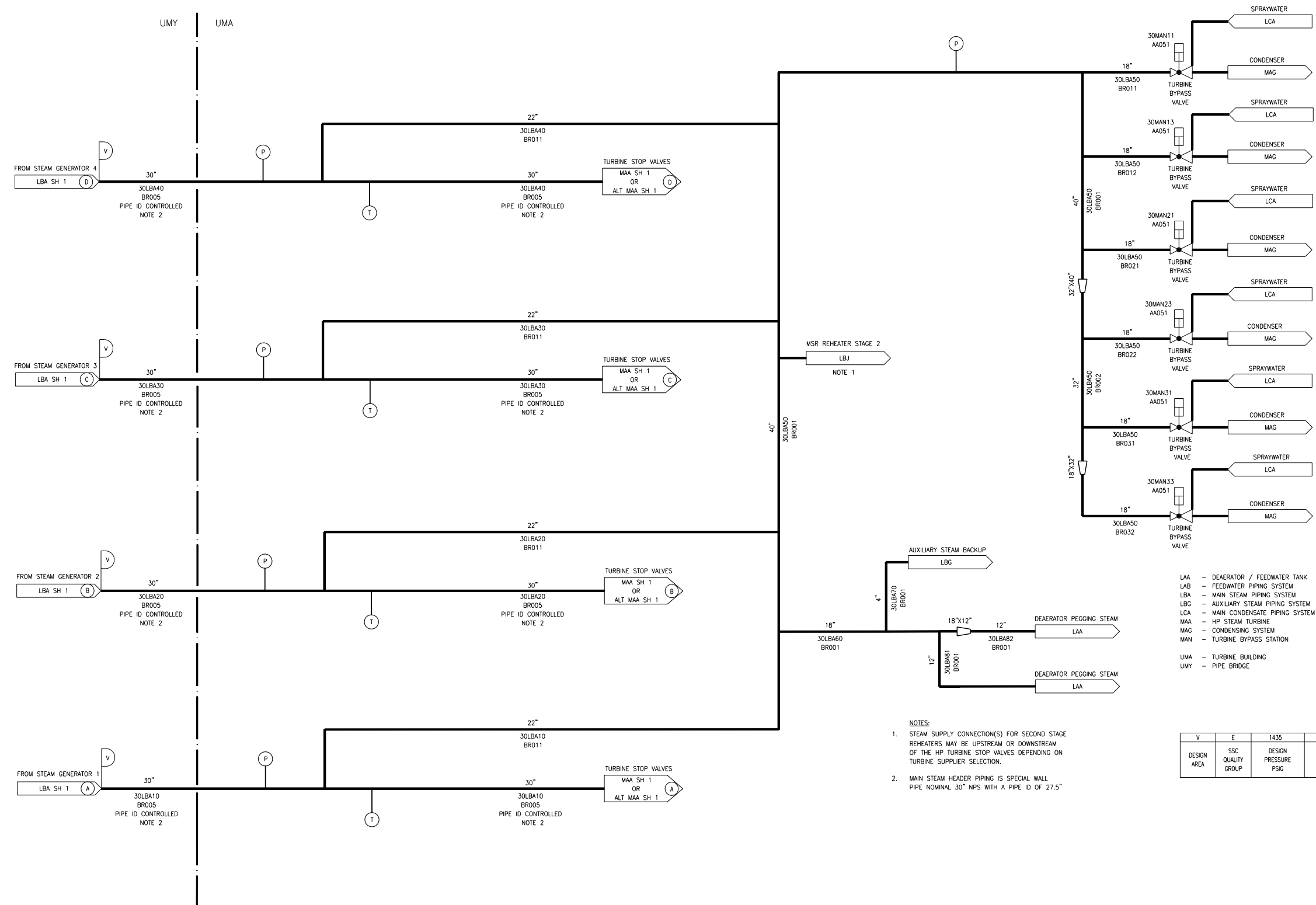
MSIV - MAIN STEAM ISOLATION VALVE  
 MSRCV - MAIN STEAM RELIEF CONTROL VALVE  
 MSRV - MAIN STEAM RELIEF ISOLATION VALVE  
 MSSV - MAIN STEAM SAFETY VALVE  
 MSWCV - MAIN STEAM WARMING CONTROL VALVE  
 MSWIV - MAIN STEAM WARMING ISOLATION VALVE

NOTE:  
 1. MAIN STEAM HEADER PIPING IS SPECIAL WALL PIPE,  
 NOMINAL 30" NPS WITH A PIPE ID OF 27.5".

W	D	1435	592	II
V	E	1435	592	NSC
U	C	1435	592	I
T	C	250	420	I
S	C	1095	600	I
R	B	1435	592	I
DESIGN AREA	SSC QUALITY GROUP	DESIGN PRESSURE PSIG	DESIGN TEMPERATURE °F	SSC SEISMIC CLASS

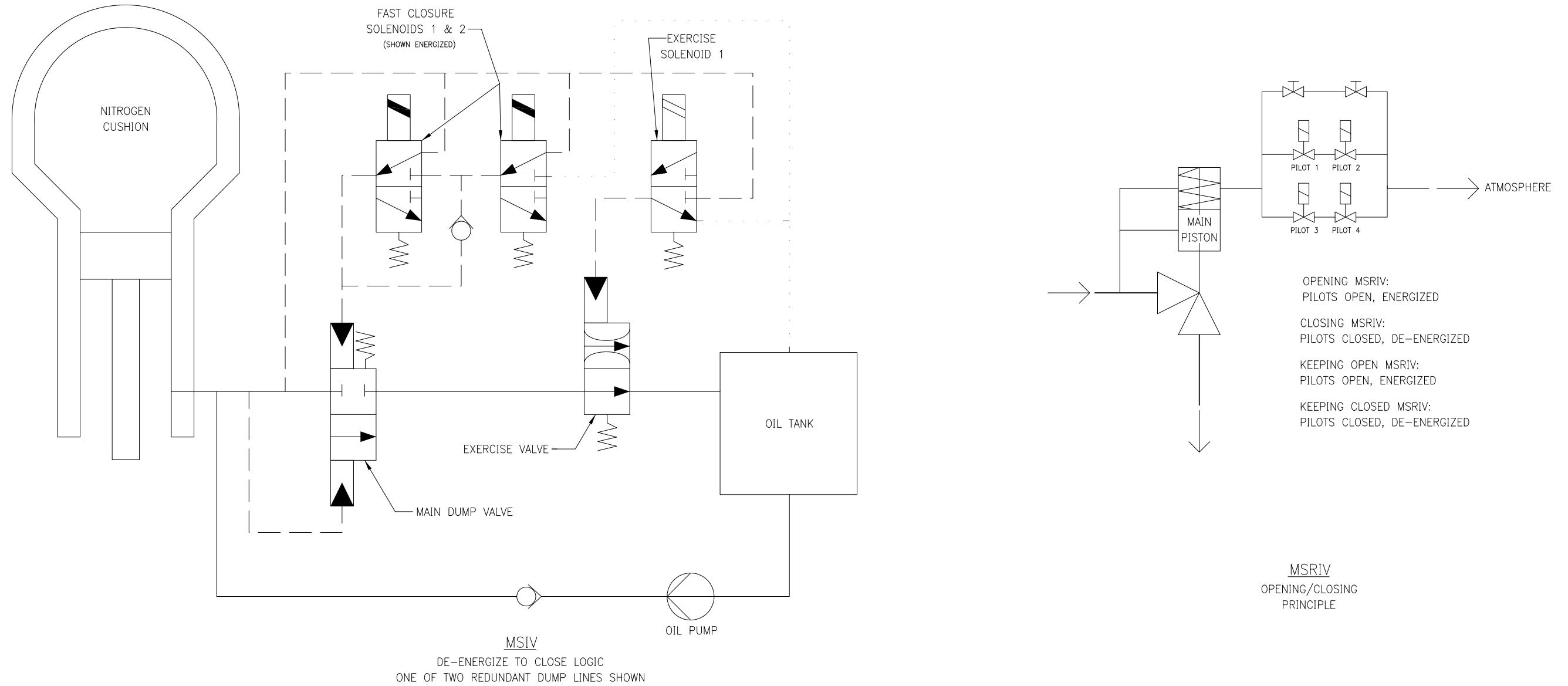
REV 003  
 LBA01T2

Figure 10.3-1—Main Steam Supply System  
Sheet 2 of 2



LBA02T2

Figure 10.3-2—Main Steam Isolation and Main Steam Relief Isolation Valve Actuators



REV 005  
LBA002 T2