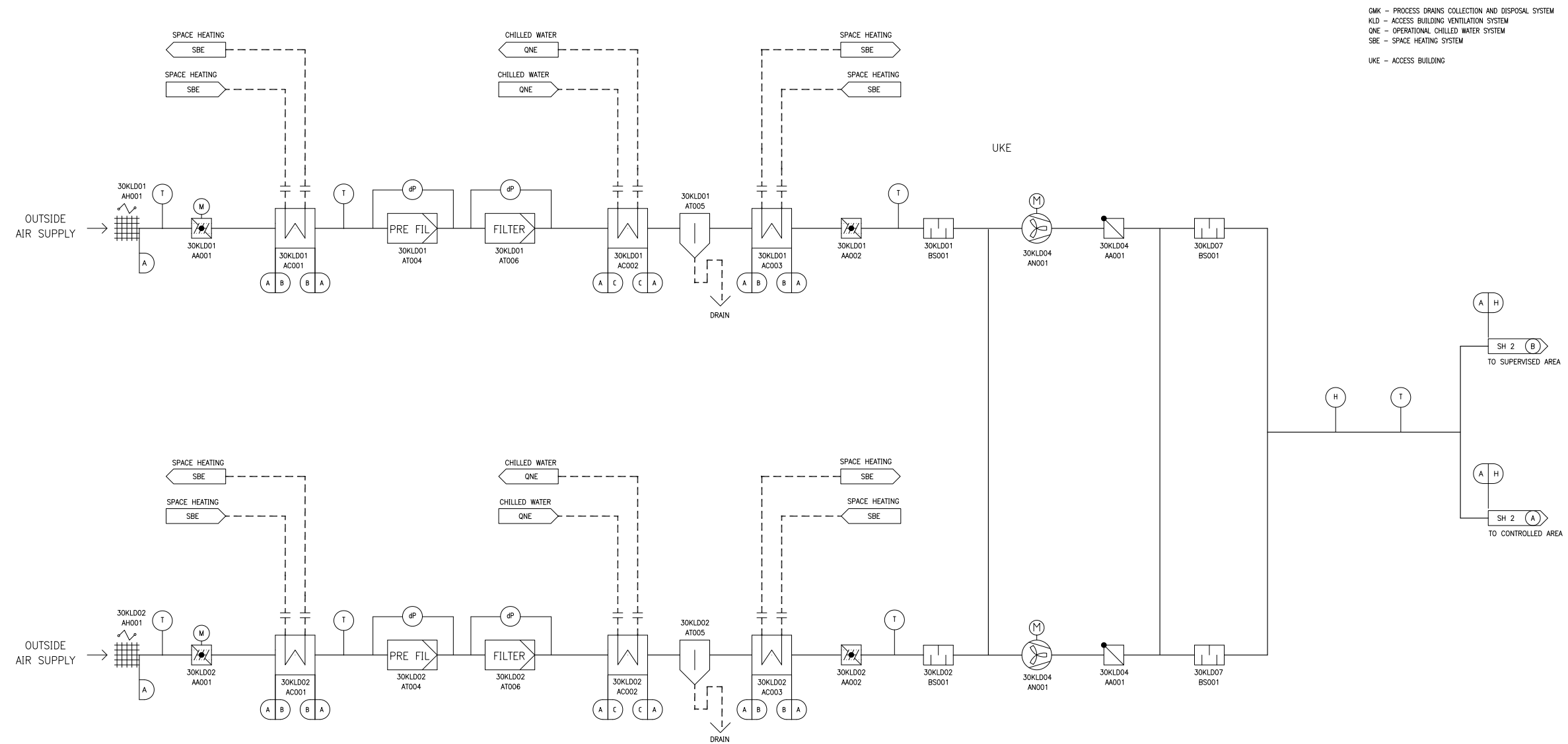


Figure 9.4.14-1—Access Building Ventilation System – Supply Air Subsystem

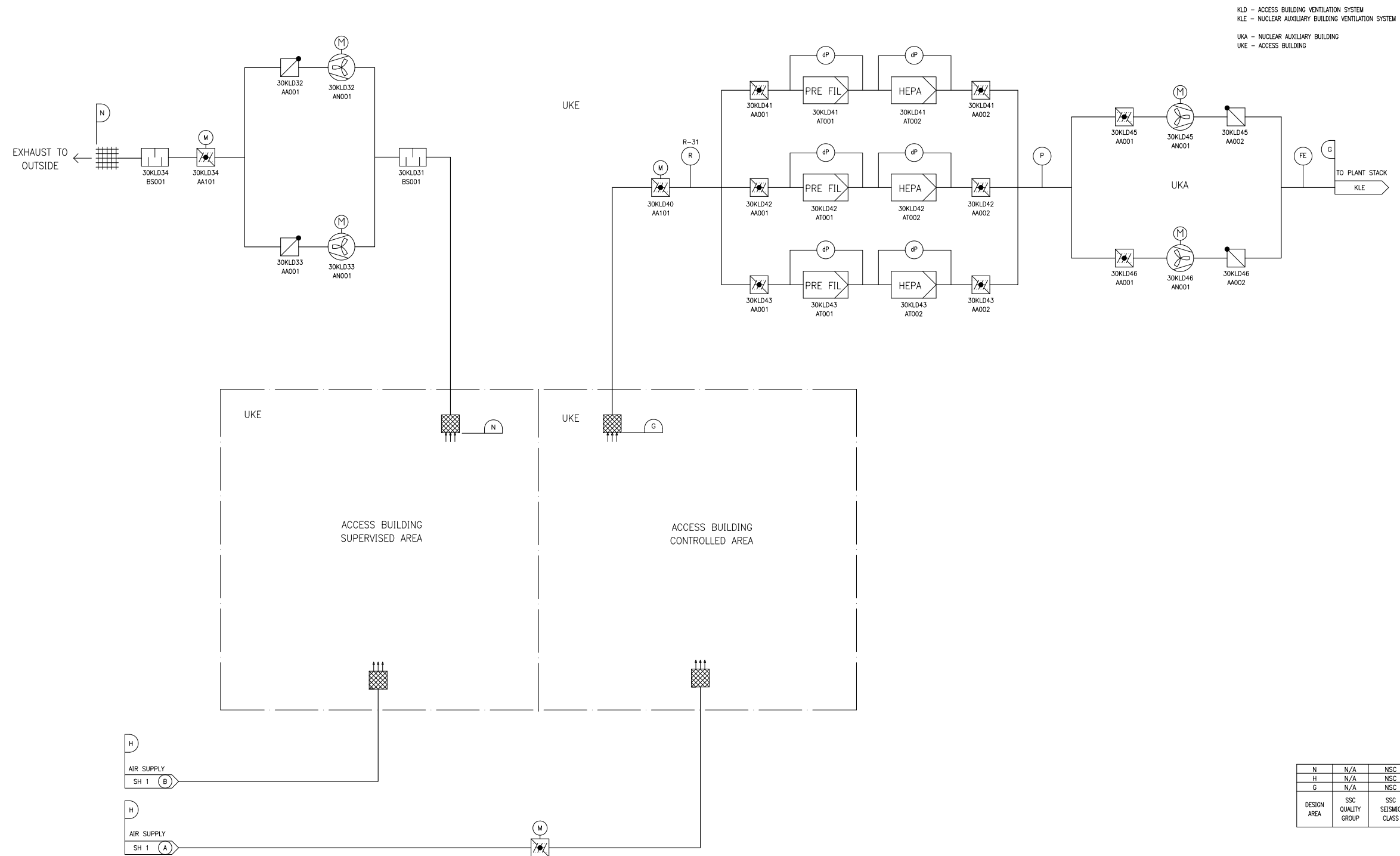


GMK – PROCESS DRAINS COLLECTION AND DISPOSAL SYSTEM
 KLD – ACCESS BUILDING VENTILATION SYSTEM
 QNE – OPERATIONAL CHILLED WATER SYSTEM
 SBE – SPACE HEATING SYSTEM
 UKE – ACCESS BUILDING

H	N/A	NSC
C	E	NSC
B	E	NSC
A	N/A	NSC
DESIGN AREA	SSC QUALITY GROUP	SSC SEISMIC CLASS

REV 005
 KLD01T2

Figure 9.4.14-2—Access Building Ventilation System – Supply and Exhaust Air Subsystem



KLD – ACCESS BUILDING VENTILATION SYSTEM
 KLE – NUCLEAR AUXILIARY BUILDING VENTILATION SYSTEM
 UKA – NUCLEAR AUXILIARY BUILDING
 UKE – ACCESS BUILDING

N	N/A	NSC
H	N/A	NSC
G	N/A	NSC
DESIGN AREA	SSC QUALITY GROUP	SSC SEISMIC CLASS

REV 005
 KLD02T2