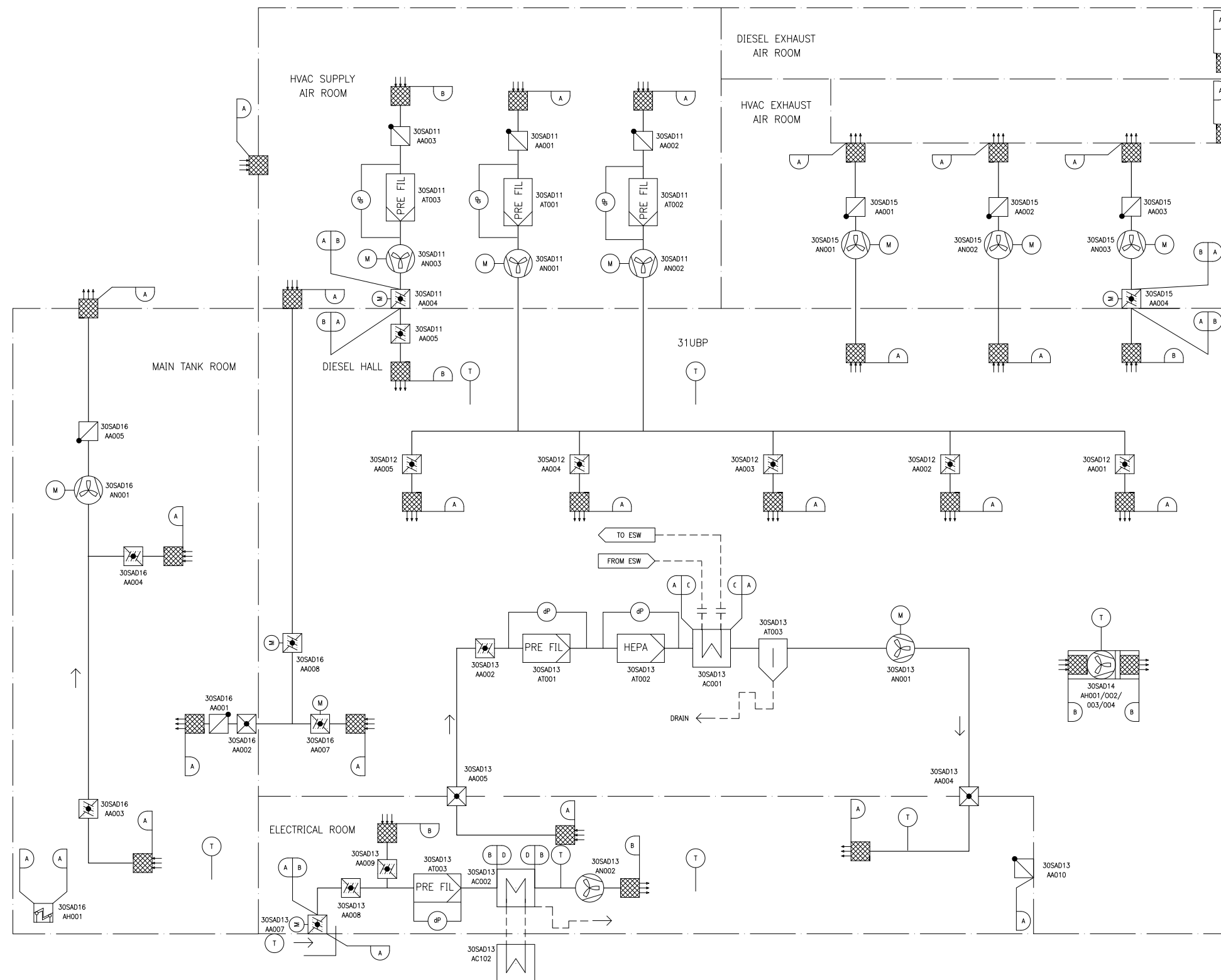


Figure 9.4.9-1—Emergency Power Generating Building Ventilation System



GMB - PROCESS DRAINS COLLECTION AND DISPOSAL SYSTEM FOR EMERGENCY POWER GENERATING BUILDINGS
 SAD - DIESEL BUILDING VENTILATION SYSTEM
 31UBP - EMERGENCY POWER GENERATING, BUILDING 1

NOTE:
 DIVISION 1 SHOWN, REPRESENTATIVE OF DIVISIONS 2, 3 AND 4.

D	D	II
C	C	I
B	N/A	II
A	N/A	I
DESIGN AREA	SSC QUALITY GROUP	SSC SEISMIC CLASS

REV 005
 SAD0112