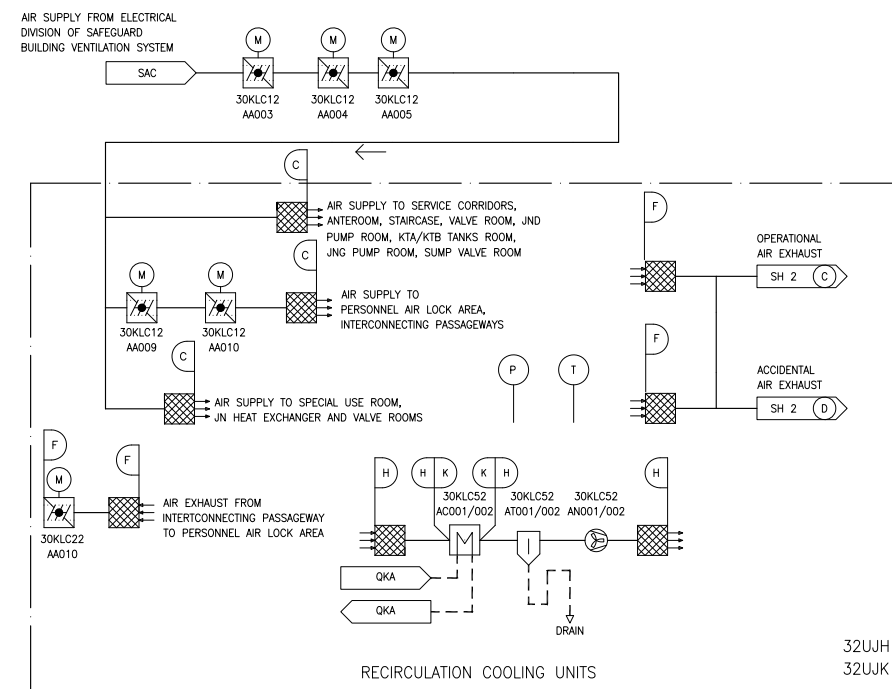
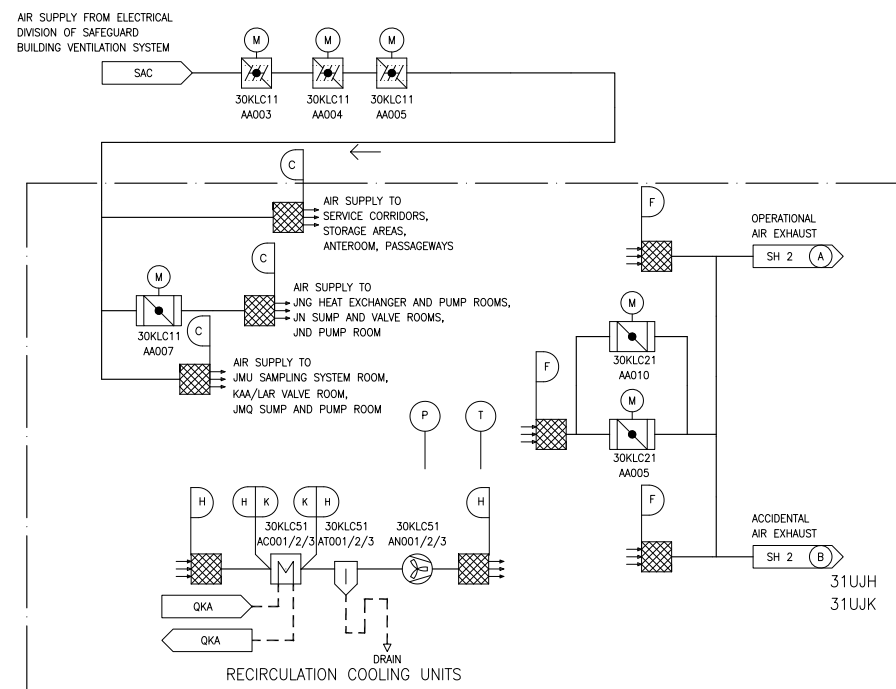
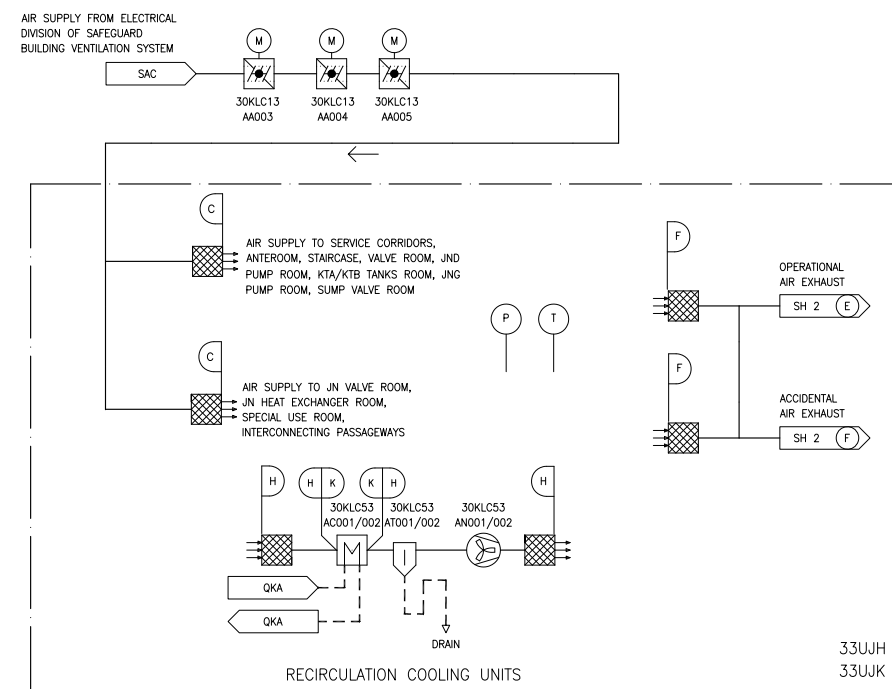
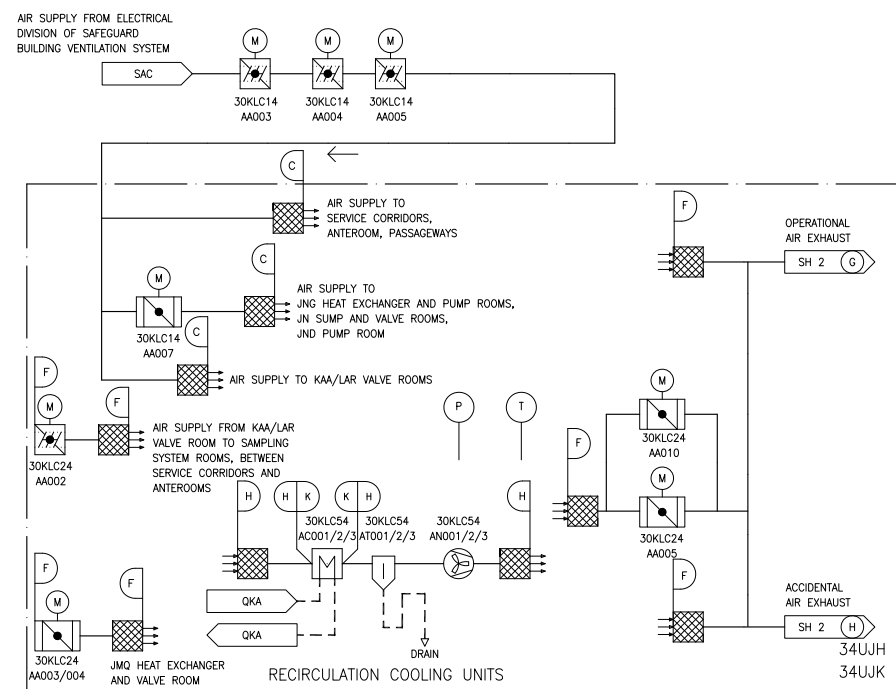


Figure 9.4.5-1—Safeguard Building Controlled-Area Ventilation System Air Supply Subsystem



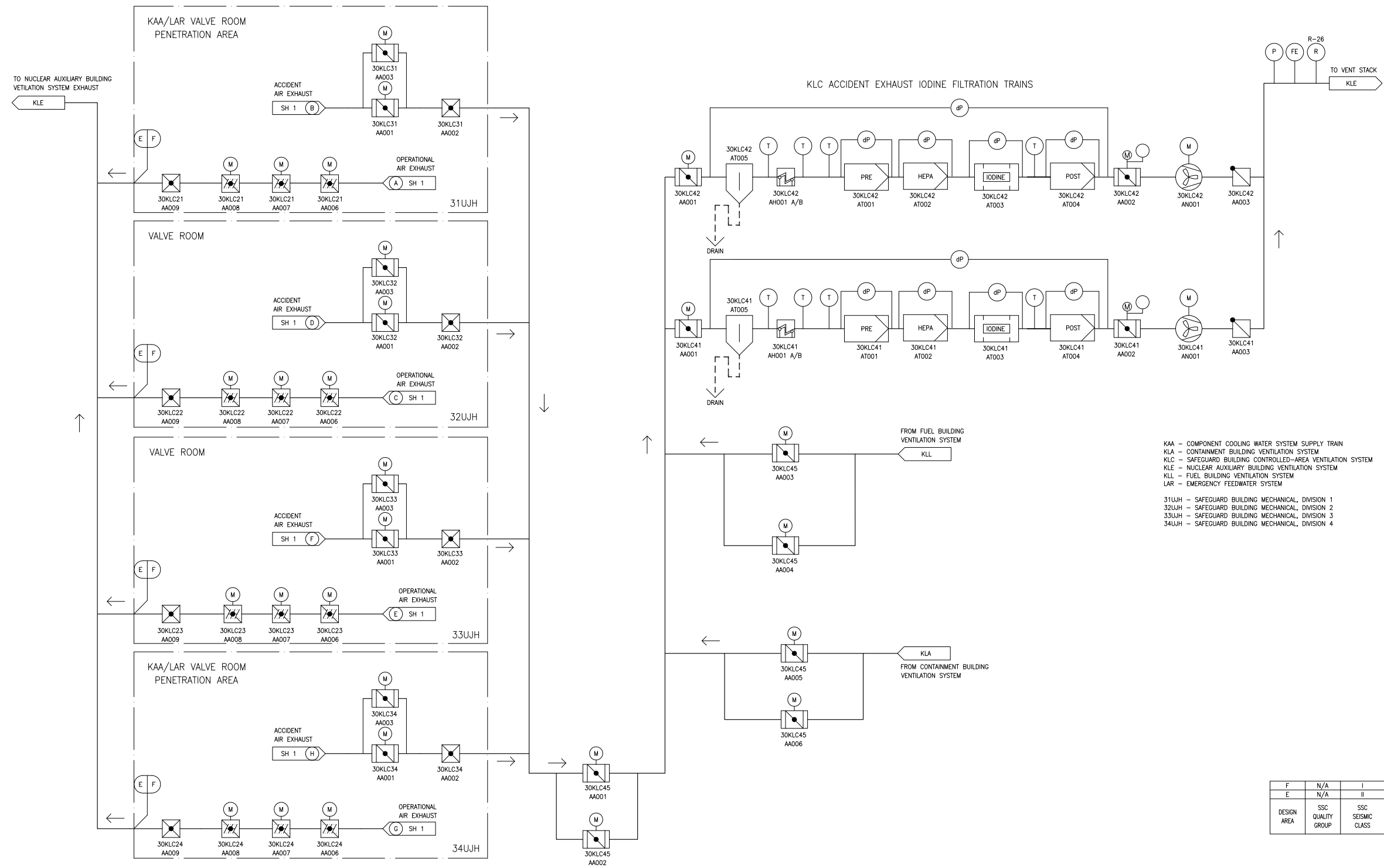
- JMQ – SEVERE ACCIDENT HEAT REMOVAL SYSTEM
 - JMU – HYDROGEN MONITORING SYSTEM
 - JN – SAFETY INJECTION AND RESIDUAL HEAT REMOVAL SYSTEM
 - JND – MEDIUM HEAD SAFETY INJECTION SYSTEM
 - JNG – LOW HEAD SAFETY INJECTION SYSTEM
 - KAA – COMPONENT COOLING WATER SYSTEM SUPPLY TRAIN
 - KLC – SAFEGUARD BUILDING CONTROLLED-AREA VENTILATION SYSTEM
 - KTA – NUCLEAR ISLAND DRAIN AND VENT SYSTEM – PRIMARY EFFLUENTS
 - KTB – NUCLEAR ISLAND DRAIN AND VENT SYSTEM – PROCESS DRAINS
 - KUL – SEVERE ACCIDENT SAMPLING SYSTEM
 - LAR – EMERGENCY FEEDWATER SYSTEM
 - QKA – SAFETY CHILLED WATER SYSTEM MAIN COMPONENTS
 - SAC – ELECTRICAL DIVISION OF SAFEGUARD BUILDING VENTILATION SYSTEM
- 31UJH – SAFEGUARD BUILDING, MECHANICAL DIVISION 1
 - 32UJH – SAFEGUARD BUILDING, MECHANICAL DIVISION 2
 - 33UJH – SAFEGUARD BUILDING, MECHANICAL DIVISION 3
 - 34UJH – SAFEGUARD BUILDING, MECHANICAL DIVISION 4
 - 31UJK – SAFEGUARD BUILDING, ELECTRICAL DIVISION 1
 - 32UJK – SAFEGUARD BUILDING, ELECTRICAL DIVISION 2
 - 33UJK – SAFEGUARD BUILDING, ELECTRICAL DIVISION 3
 - 34UJK – SAFEGUARD BUILDING, ELECTRICAL DIVISION 4



K	C	I
H	N/A	I
F	N/A	I
D	N/A	I
C	N/A	I
A	N/A	II
DESIGN AREA	SSC QUALITY GROUP	SSC SEISMIC CLASS

REV 005
KLC01T2

Figure 9.4.5-2—Safeguard Building Controlled-Area Ventilation System Exhaust Air Subsystem



KAA - COMPONENT COOLING WATER SYSTEM SUPPLY TRAIN
 KLA - CONTAINMENT BUILDING VENTILATION SYSTEM
 KLC - SAFEGUARD BUILDING CONTROLLED-AREA VENTILATION SYSTEM
 KLE - NUCLEAR AUXILIARY BUILDING VENTILATION SYSTEM
 KLL - FUEL BUILDING VENTILATION SYSTEM
 LAR - EMERGENCY FEEDWATER SYSTEM
 31UJH - SAFEGUARD BUILDING MECHANICAL, DIVISION 1
 32UJH - SAFEGUARD BUILDING MECHANICAL, DIVISION 2
 33UJH - SAFEGUARD BUILDING MECHANICAL, DIVISION 3
 34UJH - SAFEGUARD BUILDING MECHANICAL, DIVISION 4

F	N/A	I
E	N/A	II
DESIGN AREA	SSC QUALITY GROUP	SSC SEISMIC CLASS

REV 005
KLC02T2