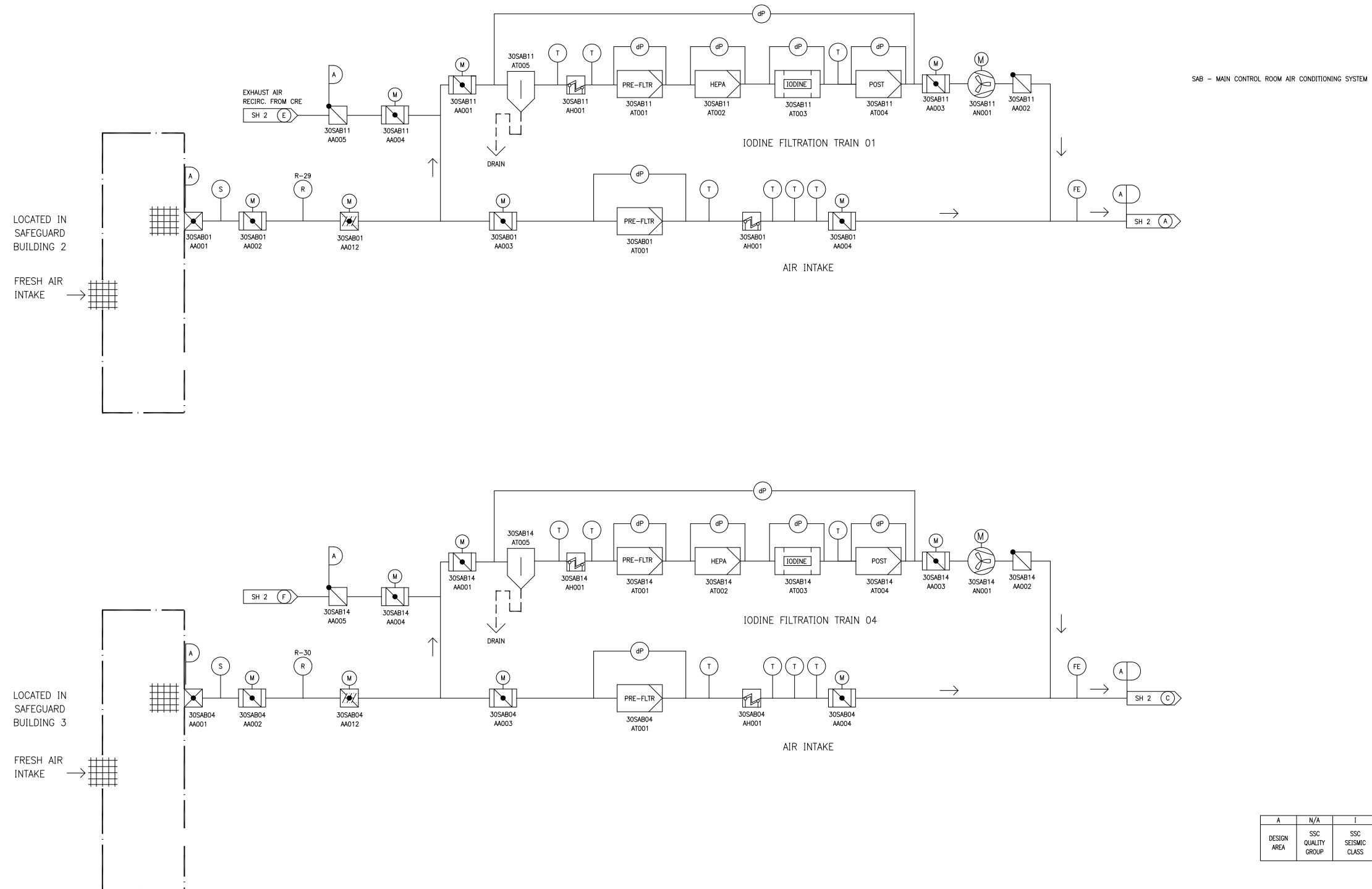
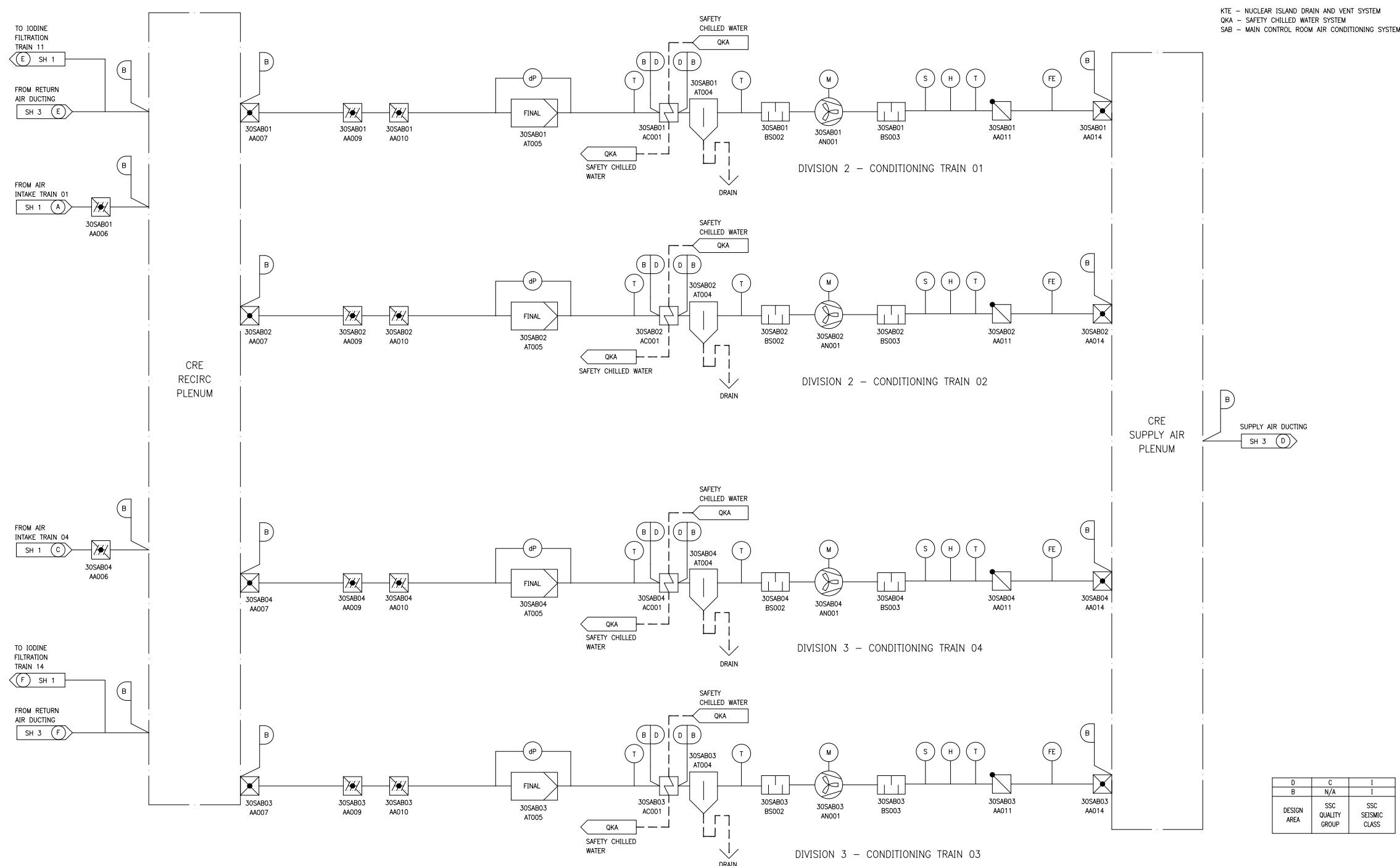


Figure 9.4.1-1—Control Room Air Intake and CREF (Iodine Filtration) Train Subsystem



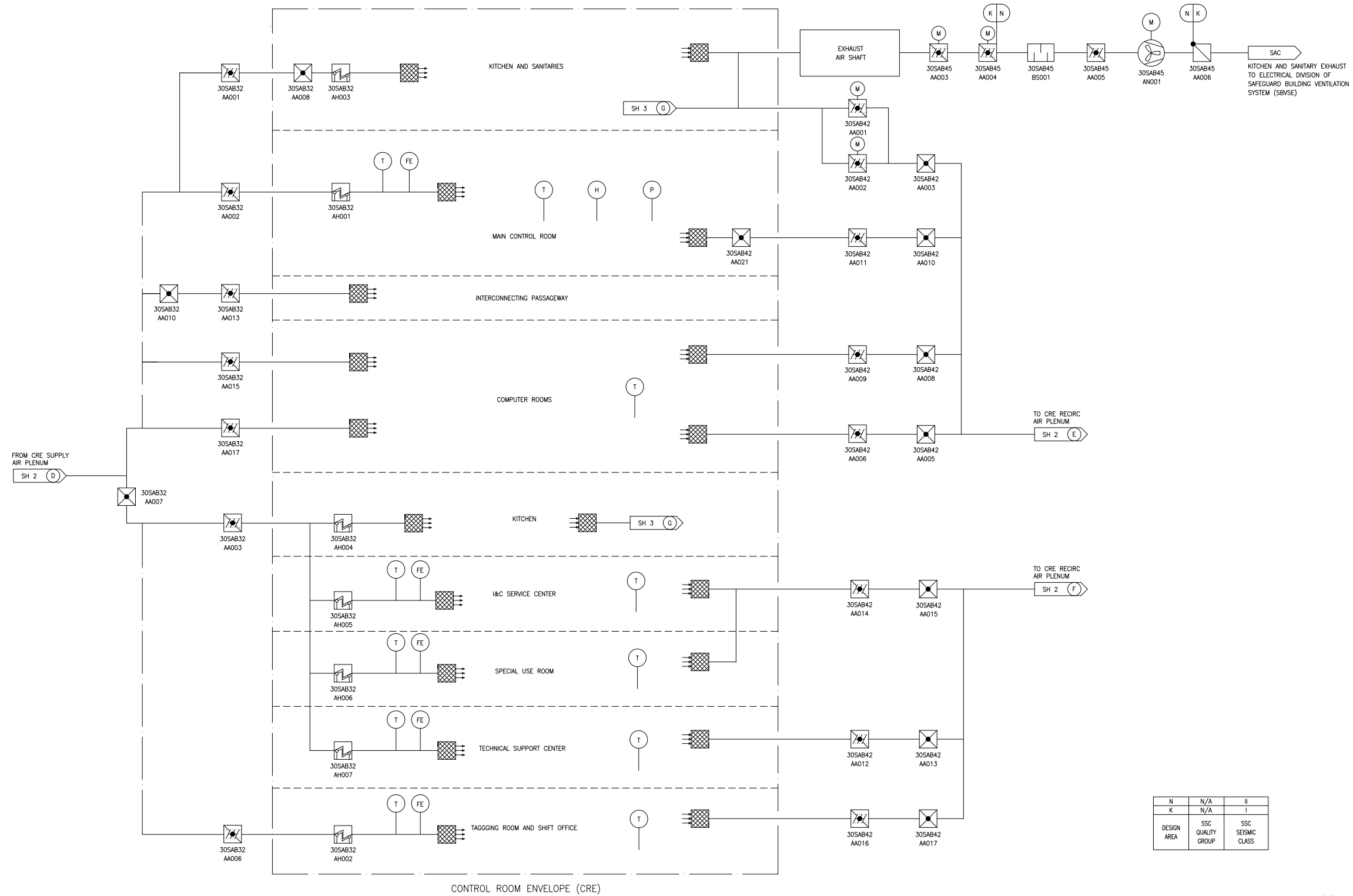
REV 005
SAB0112

Figure 9.4.1-2—Control Room Air Conditioning and Recirculation Air Handling Subsystem



REV 005
SAB02T2

Figure 9.4.1-3—Control Room Envelope Air Supply and Recirculation Subsystem



N	N/A	II
K	N/A	I
DESIGN AREA	SSC QUALITY GROUP	SSC SEISMIC CLASS

REV 005
SAB0312