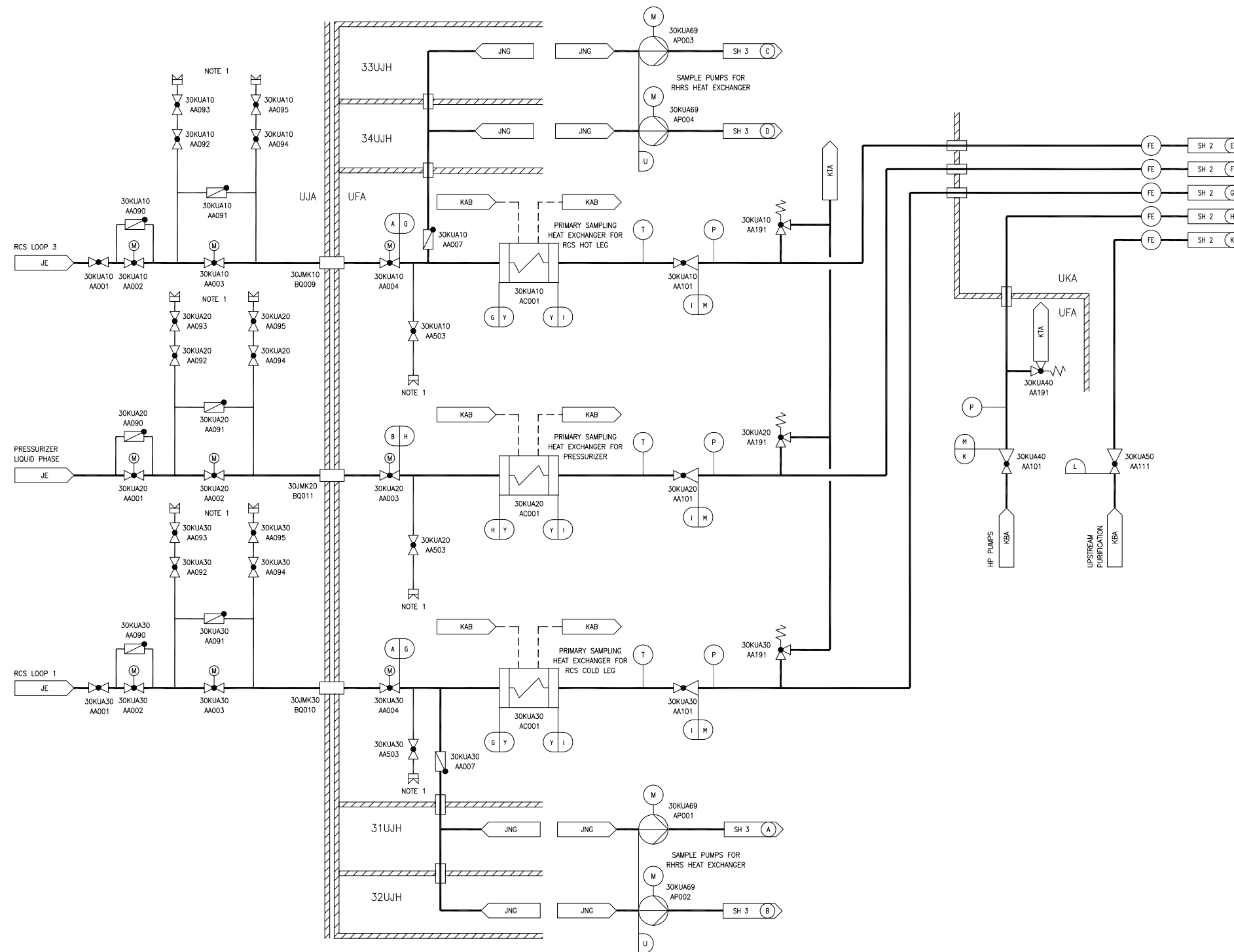


Figure 9.3.2-1—Nuclear Sampling System
Sheet 1 of 9



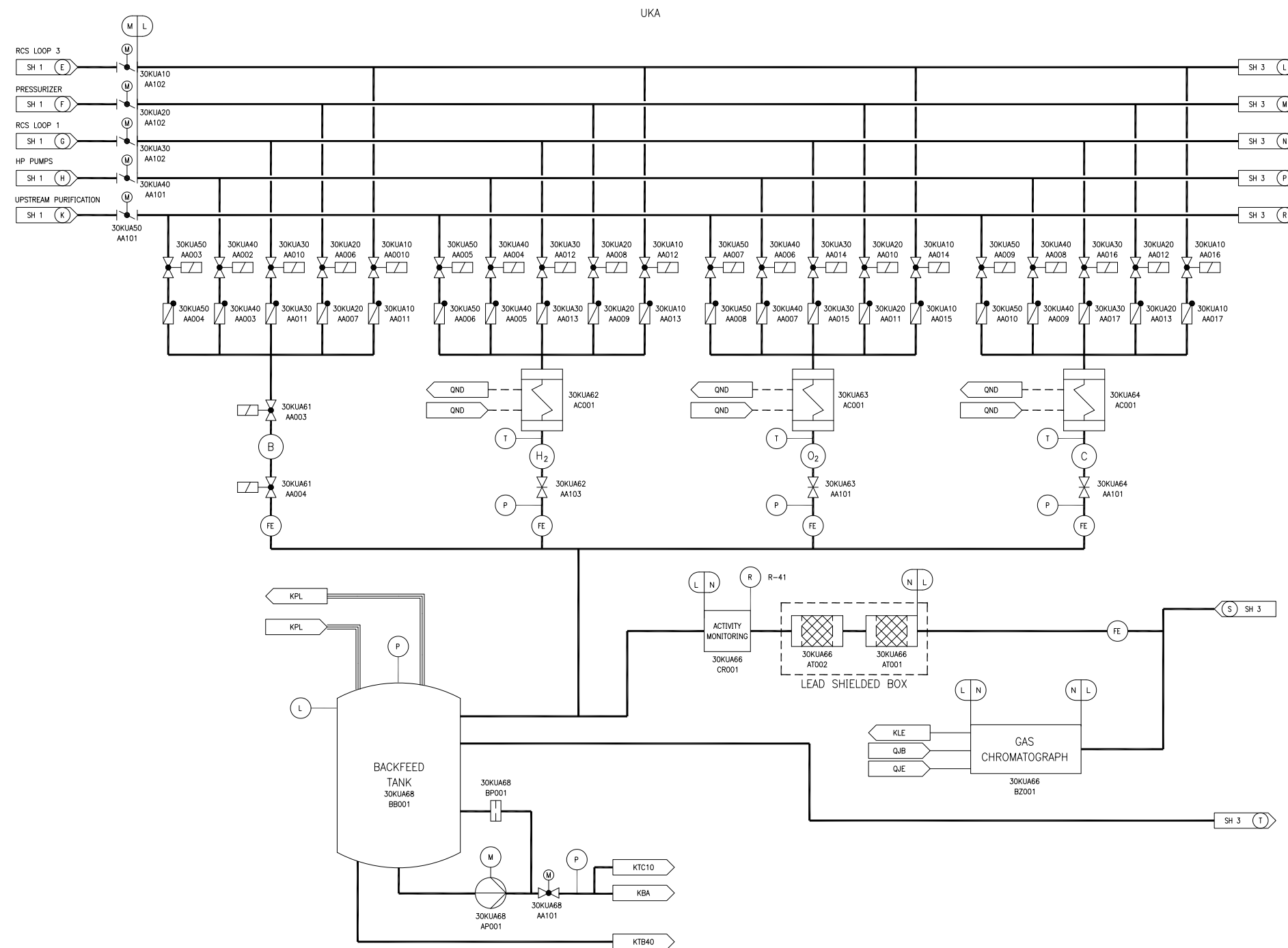
- JE - REACTOR COOLANT SYSTEM
- JNG - LOW HEAD SAFETY INJECTION SYSTEM
- KAB - COMPONENT COOLING WATER SYSTEM COMMON HEADER
- KBA - VOLUME CONTROL SYSTEM
- KTA - NUCLEAR ISLAND DRAIN AND VENT SYSTEMS - PRIMARY EFFLUENTS
- KUA - NUCLEAR SAMPLING SYSTEM - ACTIVE LIQUID SAMPLES
- UFA - FUEL BUILDING
- UJA - REACTOR BUILDING
- UKA - NUCLEAR AUXILIARY BUILDING
- 31UJH - SAFEGUARD BUILDING MECHANICAL DIVISION 1
- 32UJH - SAFEGUARD BUILDING MECHANICAL DIVISION 2
- 33UJH - SAFEGUARD BUILDING MECHANICAL DIVISION 3
- 34UJH - SAFEGUARD BUILDING MECHANICAL DIVISION 4

NOTE:
1. CONNECTION FOR CONTAINMENT LEAK TIGHTNESS TEST.

Y	C	2535	664	I
U	D	1160	356	NSC
M	D	290	212	NSC
L	D	174	212	NSC
K	D	3626	212	NSC
I	D	2535	212	NSC
H	D	2535	684	NSC
G	D	2535	664	NSC
B	B	2535	684	I
A	B	2535	664	I
DESIGN AREA	SSC QUALITY GROUP	DESIGN PRESSURE PSIG	DESIGN TEMPERATURE °F	SSC SEISMIC CLASS

REV 005
KUA01 T2

Figure 9.3.2-1—Nuclear Sampling System
Sheet 2 of 9

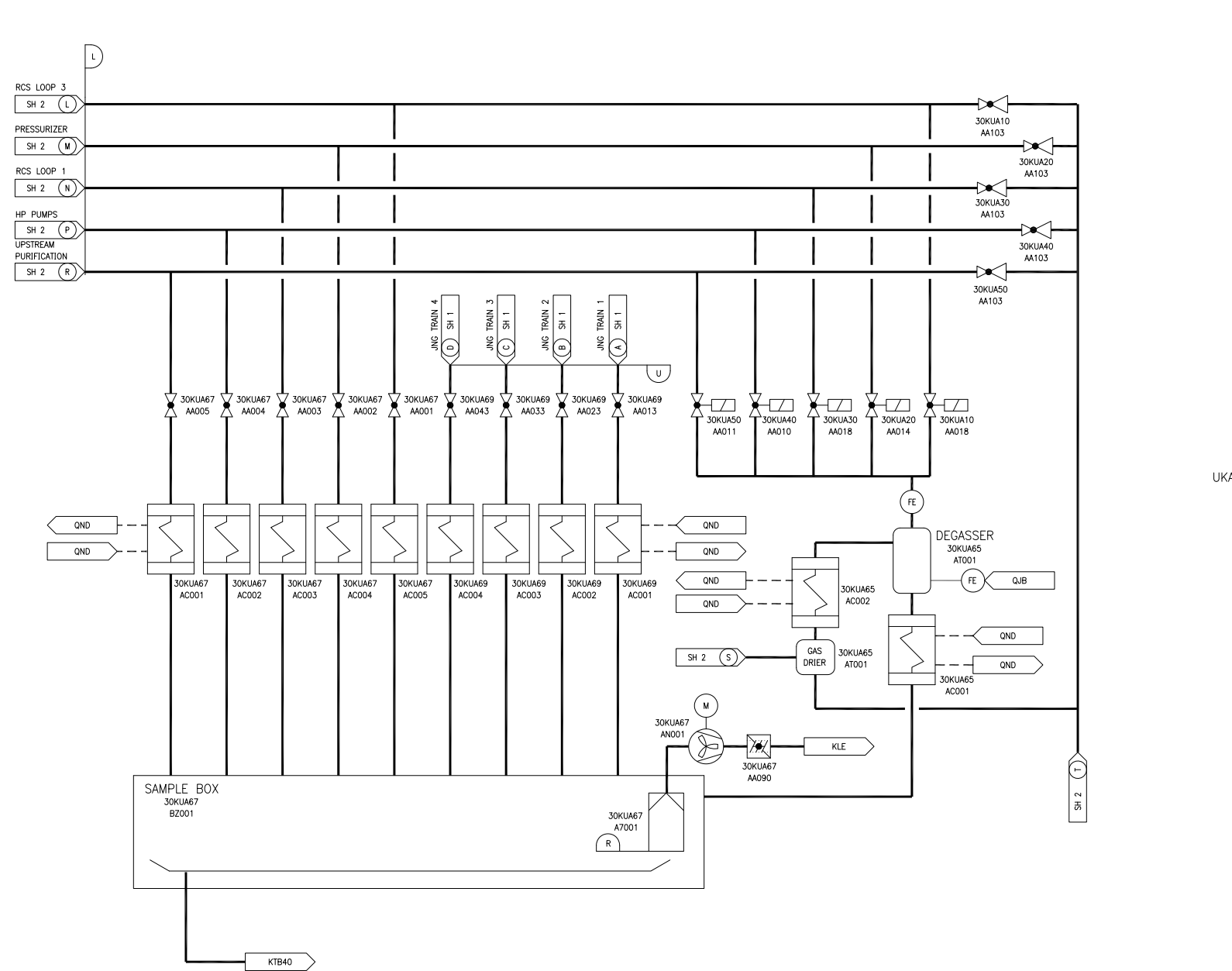


KBA - VOLUME CONTROL SYSTEM
 KLE - NUCLEAR AUXILIARY BUILDING VENTILATION SYSTEM
 KPL - GASEOUS WASTE PROCESSING SYSTEM
 KTB40 - NUCLEAR ISLAND DRAIN AND VENT SYSTEMS, PROCESS DRAINS INSIDE NUCLEAR AUXILIARY BUILDING
 KTC10 - NUCLEAR ISLAND DRAIN AND VENT SYSTEMS, FLOOR DRAINS 1 INSIDE REACTOR BUILDING
 KUA - NUCLEAR SAMPLING SYSTEM - ACTIVE LIQUID SAMPLES
 QJB - NITROGEN (N₂) GAS DISTRIBUTION SYSTEM
 QJE - ARGON (AR) GAS DISTRIBUTION SYSTEM
 QND - SUPPLY TO GASEOUS WASTE PROCESSING SYSTEM/COOLANT DEGASIFICATION SYSTEM COMPONENTS
 UKA - NUCLEAR AUXILIARY BUILDING

N	D	0	212	NSC
M	D	290	212	NSC
L	D	174	212	NSC
DESIGN AREA	SSC QUALITY GROUP	DESIGN PRESSURE PSIG	DESIGN TEMPERATURE °F	SSC SEISMIC CLASS

REV 005
KUA02T2

Figure 9.3.2-1—Nuclear Sampling System
Sheet 3 of 9

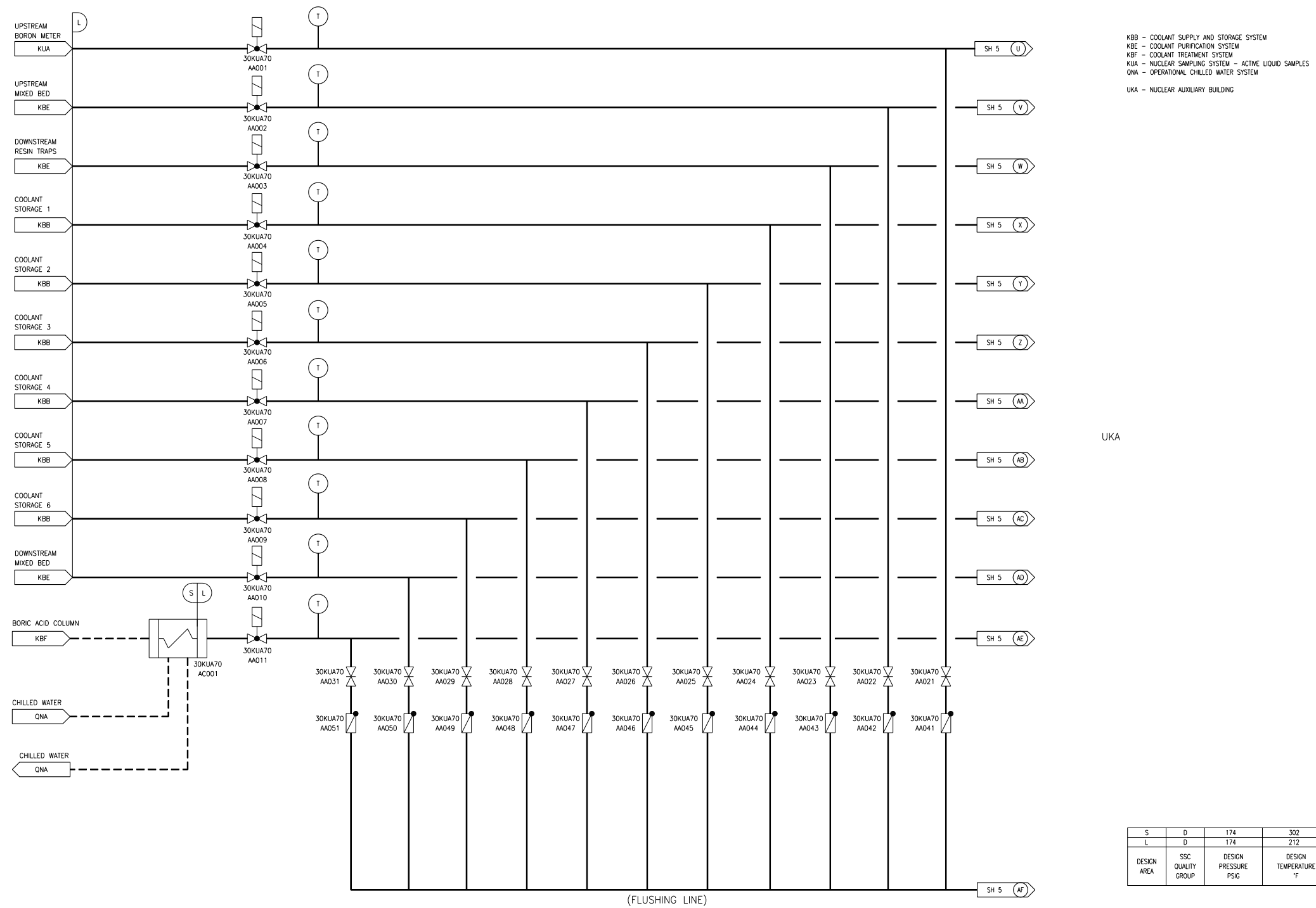


JNG - LOW HEAD SAFETY INJECTION SYSTEM
 KLE - NUCLEAR AUXILIARY BUILDING VENTILATION SYSTEM
 KT840 - NUCLEAR ISLAND DRAIN AND VENT SYSTEMS, PROCESS DRAINS INSIDE NUCLEAR AUXILIARY BUILDING
 KUA - NUCLEAR SAMPLING SYSTEM - ACTIVE LIQUID SAMPLES
 QJB - NITROGEN (N2) GAS DISTRIBUTION SYSTEM
 QND - SUPPLY TO GASEOUS WASTE PROCESSING SYSTEM/COOLANT DEGASSIFICATION SYSTEM COMPONENTS
 UKA - NUCLEAR AUXILIARY BUILDING

U	D	1160	356	NSC
R	N/A	15	122	NSC
L	D	174	212	NSC
DESIGN AREA	SSC QUALITY GROUP	DESIGN PRESSURE PSIG	DESIGN TEMPERATURE °F	SSC SEISMIC CLASS

REV 005
KUA03T2

Figure 9.3.2-1—Nuclear Sampling System
Sheet 4 of 9



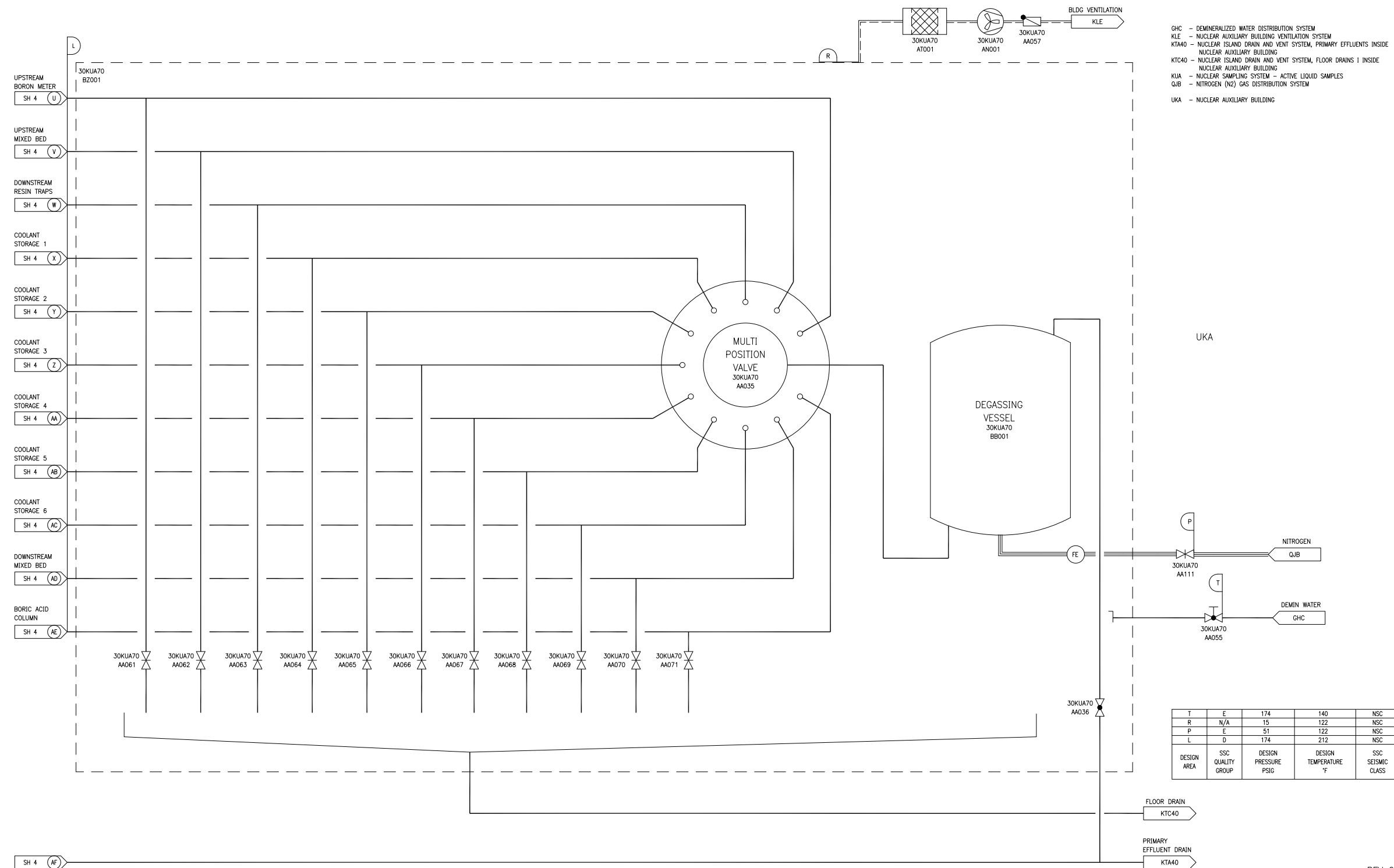
KBB - COOLANT SUPPLY AND STORAGE SYSTEM
 KBE - COOLANT PURIFICATION SYSTEM
 KBF - COOLANT TREATMENT SYSTEM
 KUA - NUCLEAR SAMPLING SYSTEM - ACTIVE LIQUID SAMPLES
 QNA - OPERATIONAL CHILLED WATER SYSTEM
 UKA - NUCLEAR AUXILIARY BUILDING

UKA

S	D	174	302	NSC
L	D	174	212	NSC
DESIGN AREA	SSC QUALITY GROUP	DESIGN PRESSURE PSIG	DESIGN TEMPERATURE °F	SSC SEISMIC CLASS

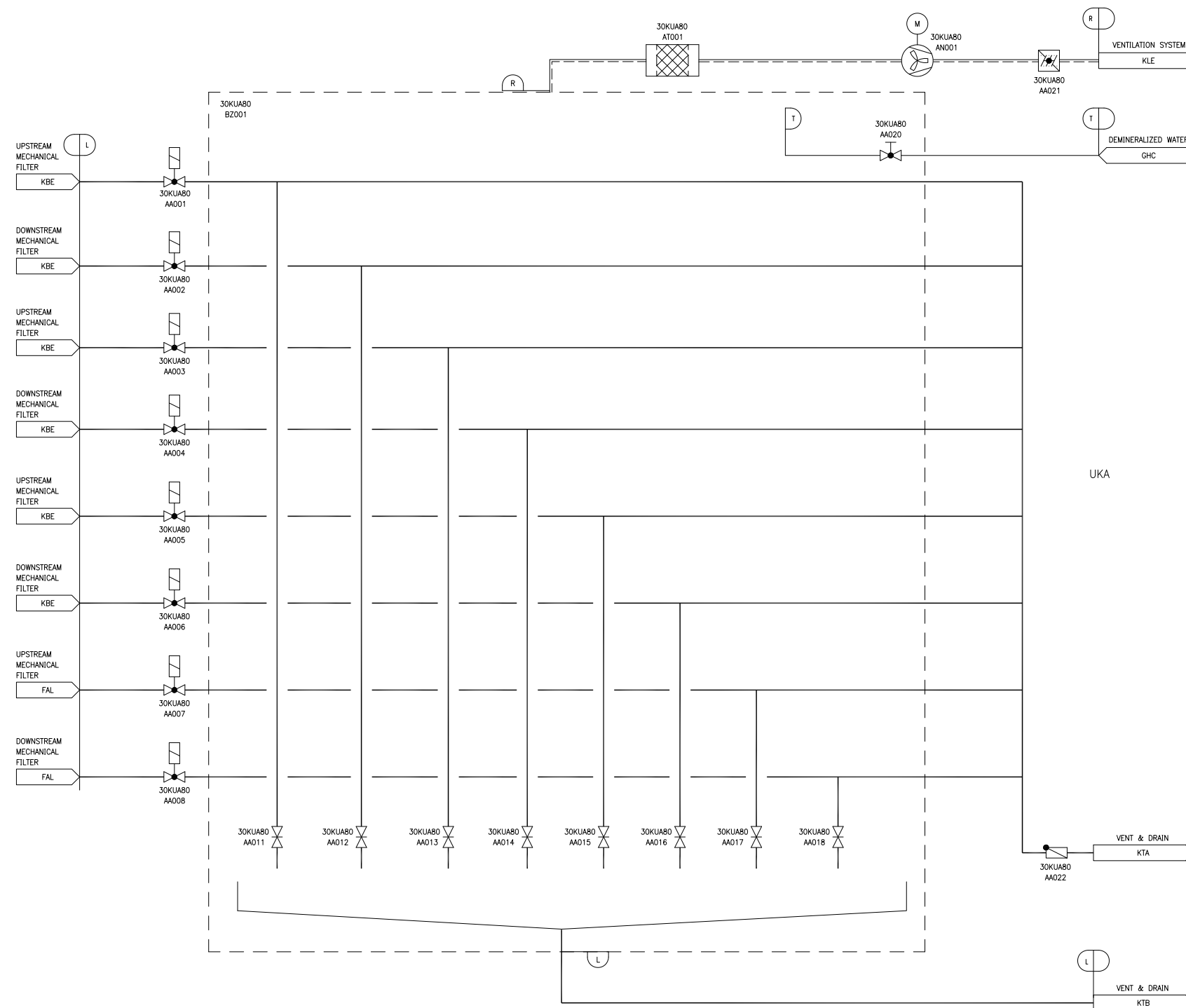
KUA04T2

Figure 9.3.2-1—Nuclear Sampling System
Sheet 5 of 9



REV 005
KUA05T2

Figure 9.3.2-1—Nuclear Sampling System
Sheet 6 of 9

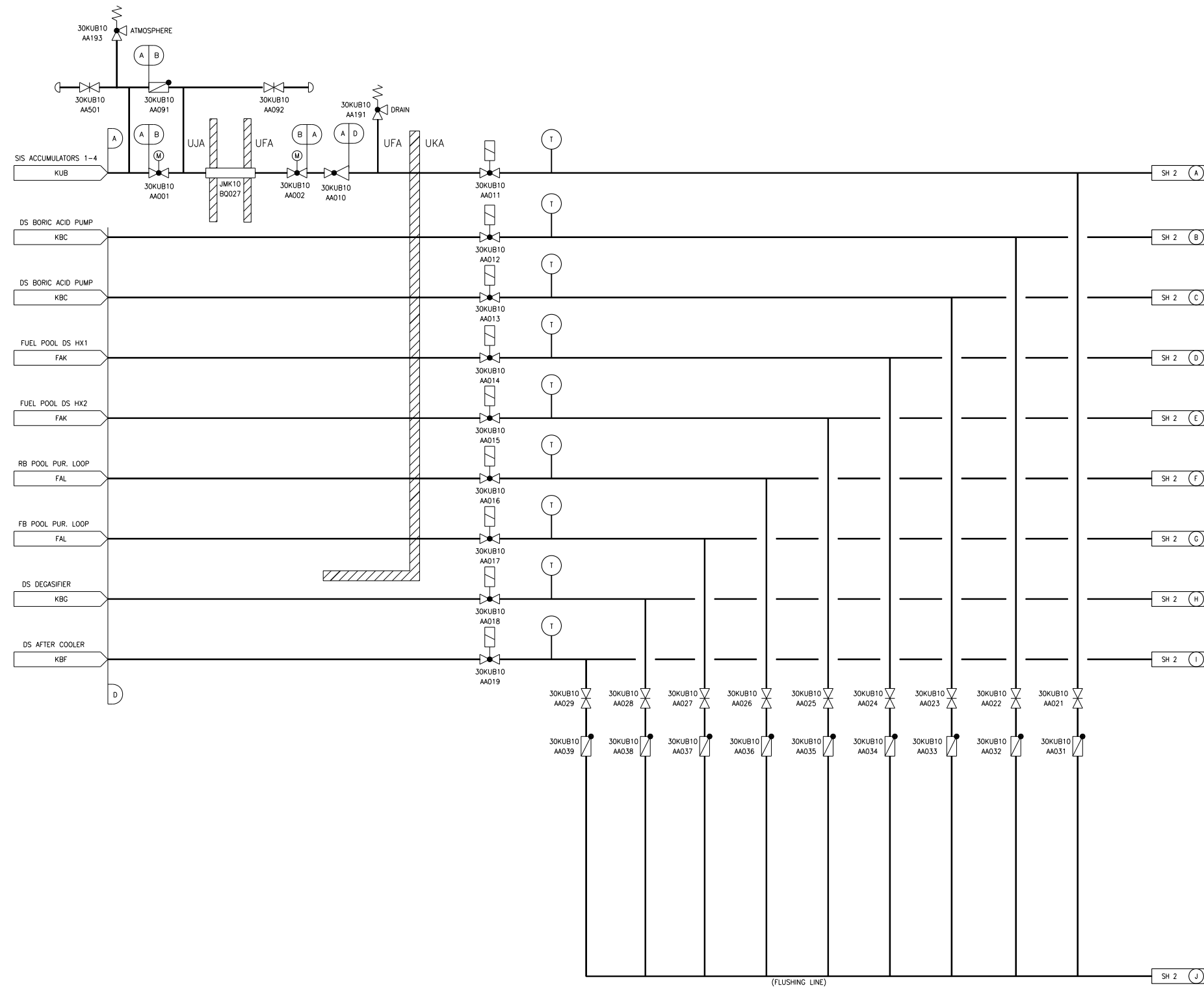


FAL - FUEL POOL PURIFICATION SYSTEM
 GHC - DEMINERALIZED WATER DISTRIBUTION SYSTEM
 KBE - COOLANT PURIFICATION SYSTEM
 KLE - NUCLEAR AUXILIARY BUILDING VENTILATION SYSTEM
 KTA - NUCLEAR ISLAND DRAIN/VENT SYSTEM - PRIMARY EFFLUENTS
 KTB - NUCLEAR ISLAND DRAIN/VENT SYSTEM - PROCESS DRAINS
 KUA - NUCLEAR SAMPLING SYSTEM - ACTIVE LIQUID SAMPLES
 UKA - NUCLEAR AUXILIARY BUILDING

T	E	174	140	NSC
R	N/A	15	122	NSC
L	C	174	212	NSC
DESIGN AREA	SSC QUALITY GROUP	DESIGN PRESSURE PSIG	DESIGN TEMPERATURE °F	SSC SEISMIC CLASS

REV 005
KUA06T2

Figure 9.3.2-1—Nuclear Sampling System
Sheet 7 of 9

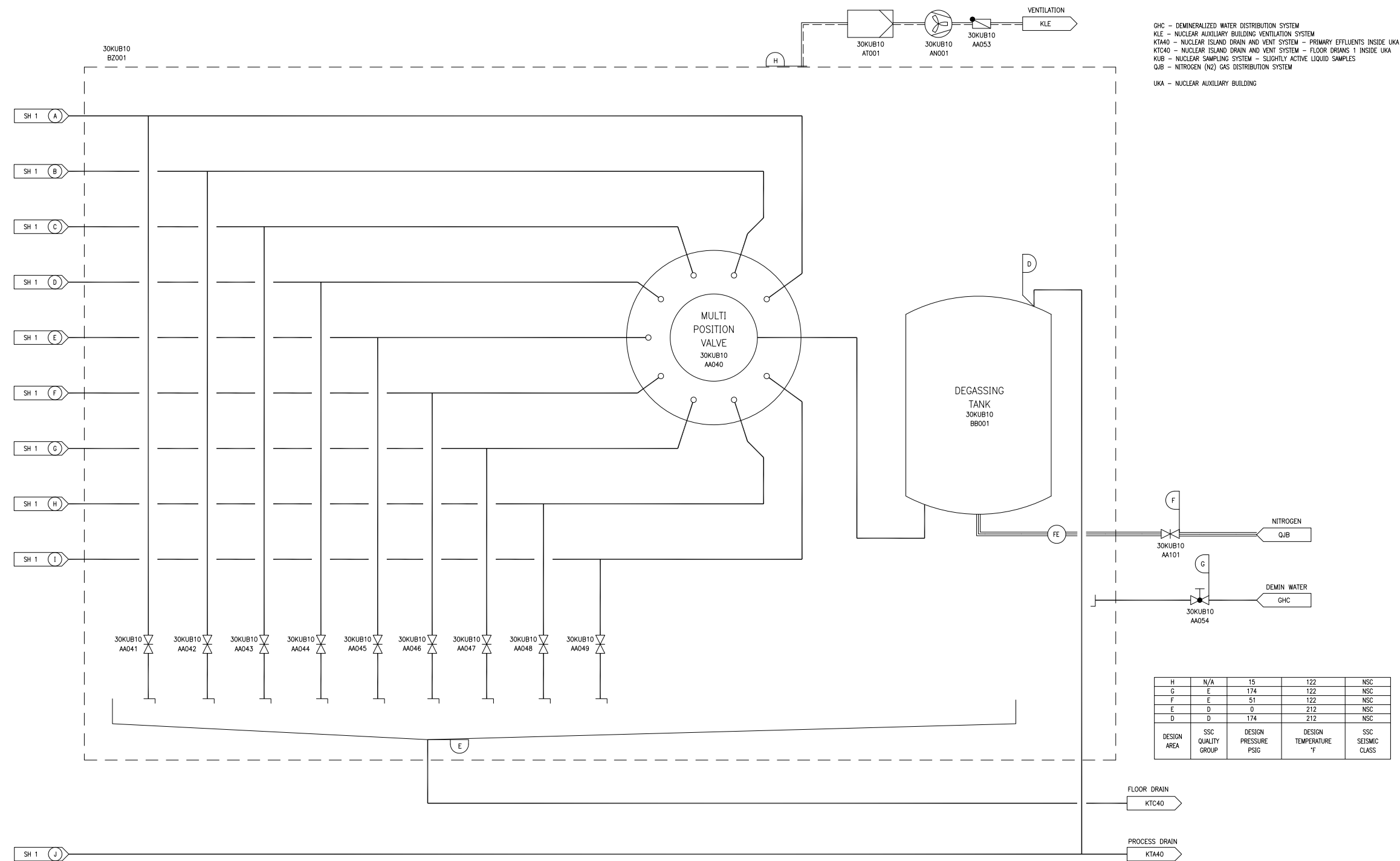


FAK - FUEL POOL COOLING SYSTEM
 FAL - FUEL POOL PURIFICATION SYSTEM
 KBC - REACTOR BORON AND WATER MAKEUP SYSTEM
 KBF - COOLANT TREATMENT SYSTEM
 KBG - COOLANT DEGASIFICATION SYSTEM
 KUB - NUCLEAR SAMPLING SYSTEM - SLIGHTLY ACTIVE LIQUID SAMPLES
 UFA - FUEL BUILDING
 UJA - REACTOR BUILDING
 UKA - NUCLEAR AUXILIARY BUILDING

D	D	174	212	NSC
B	B	798	338	I
A	B	798	140	I
DESIGN AREA	SSC QUALITY GROUP	DESIGN PRESSURE PSIG	DESIGN TEMPERATURE °F	SSC SEISMIC CLASS

KUB01T2

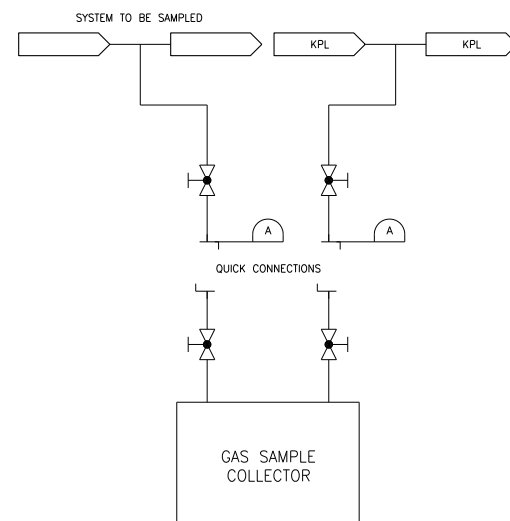
Figure 9.3.2-1—Nuclear Sampling System
Sheet 8 of 9



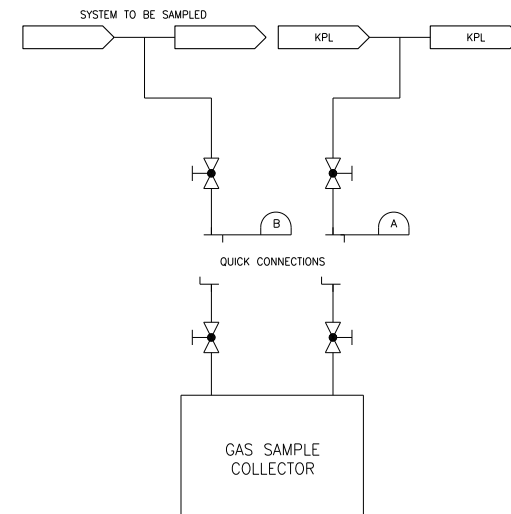
REV 005
KUB02T2

Figure 9.3.2-1—Nuclear Sampling System
Sheet 9 of 9

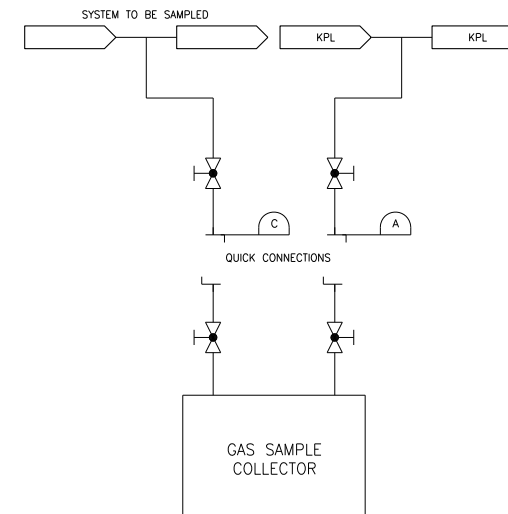
KBB - COOLANT SUPPLY AND STORAGE SYSTEM
 KPL - GASEOUS WASTE PROCESSING SYSTEM
 KTA20 - NUCLEAR ISLAND DRAIN/VENT SYSTEM, PRIMARY EFFLUENTS INSIDE UJH
 KTA30 - NUCLEAR ISLAND DRAIN/VENT SYSTEM, PRIMARY EFFLUENTS INSIDE UFA
 KTA40 - NUCLEAR ISLAND DRAIN/VENT SYSTEM, PRIMARY EFFLUENTS INSIDE UKA
 KUF - NUCLEAR SAMPLING SYSTEM - GASEOUS SAMPLES



- REPRESENTATIVE OF SAMPLES FOR:
- UPSTREAM GAS DRYER (KPL)
 - UPSTREAM RECOMBINER (KPL)
 - DOWNSTREAM RECOMBINER (KPL)
 - KUA BACKFEED VESSEL
 - FUEL BUILDING DRAIN TANKS (KTA30 BB001/2)
 - NAB DRAIN TANKS (KTA40 BB001)
 - SB DRAIN TANKS (KTA20 BB001/2/3/4)
 - RCS SWEEPING



- REPRESENTATIVE OF SAMPLES FOR:
- KBB STORAGE TANK 6

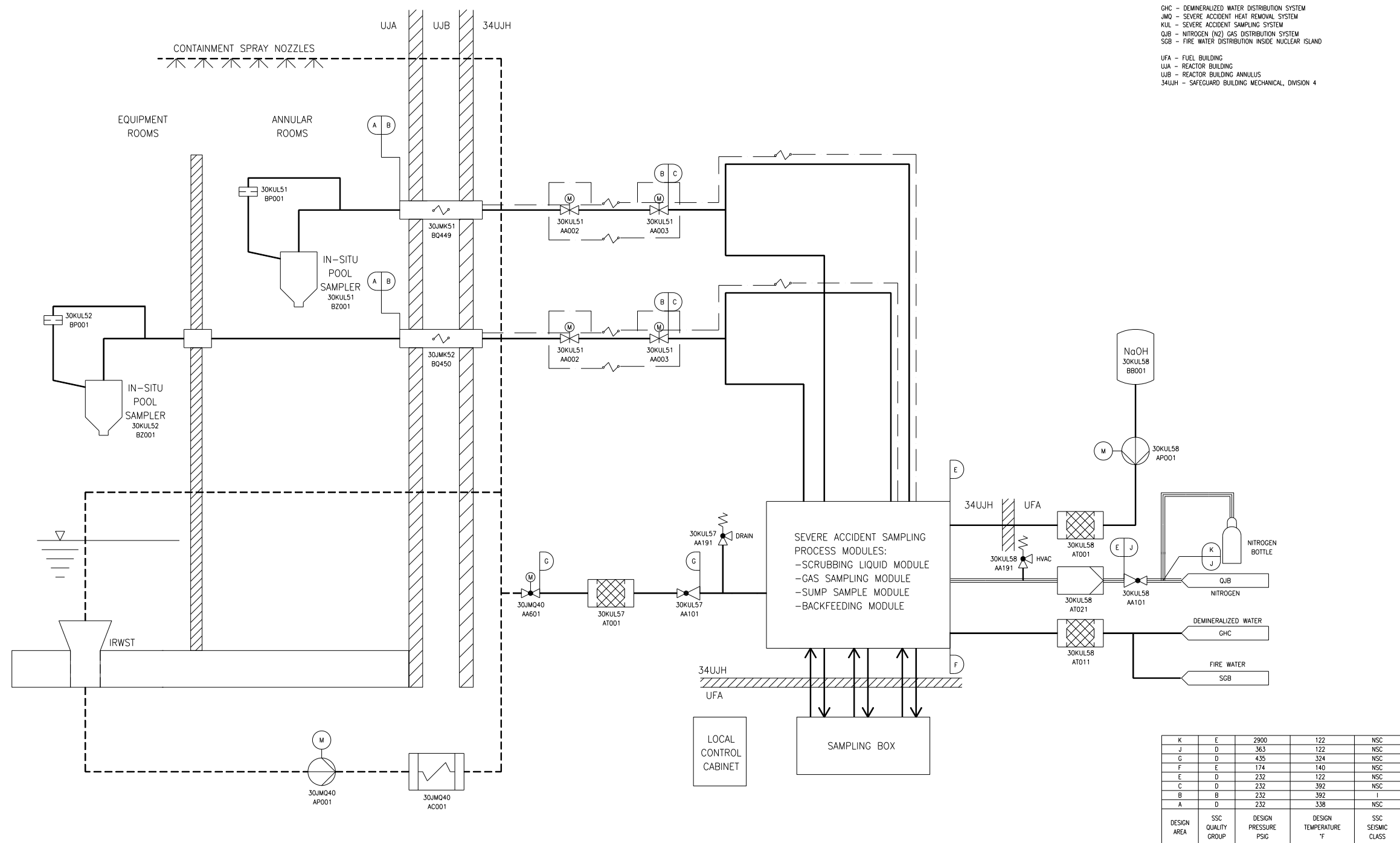


- REPRESENTATIVE OF SAMPLES FOR:
- UPSTREAM DELAY BEDS (KPL)
 - DOWNSTREAM DELAY BED 1/2 (KPL)

C	D	290	212	NSC
B	D	44	212	NSC
A	D	174	212	NSC
DESIGN AREA	SSC QUALITY GROUP	DESIGN PRESSURE PSIG	DESIGN TEMPERATURE °F	SSC SEISMIC CLASS

KUF01T2

Figure 9.3.2-2—Severe Accident Sampling System



KULO1T2