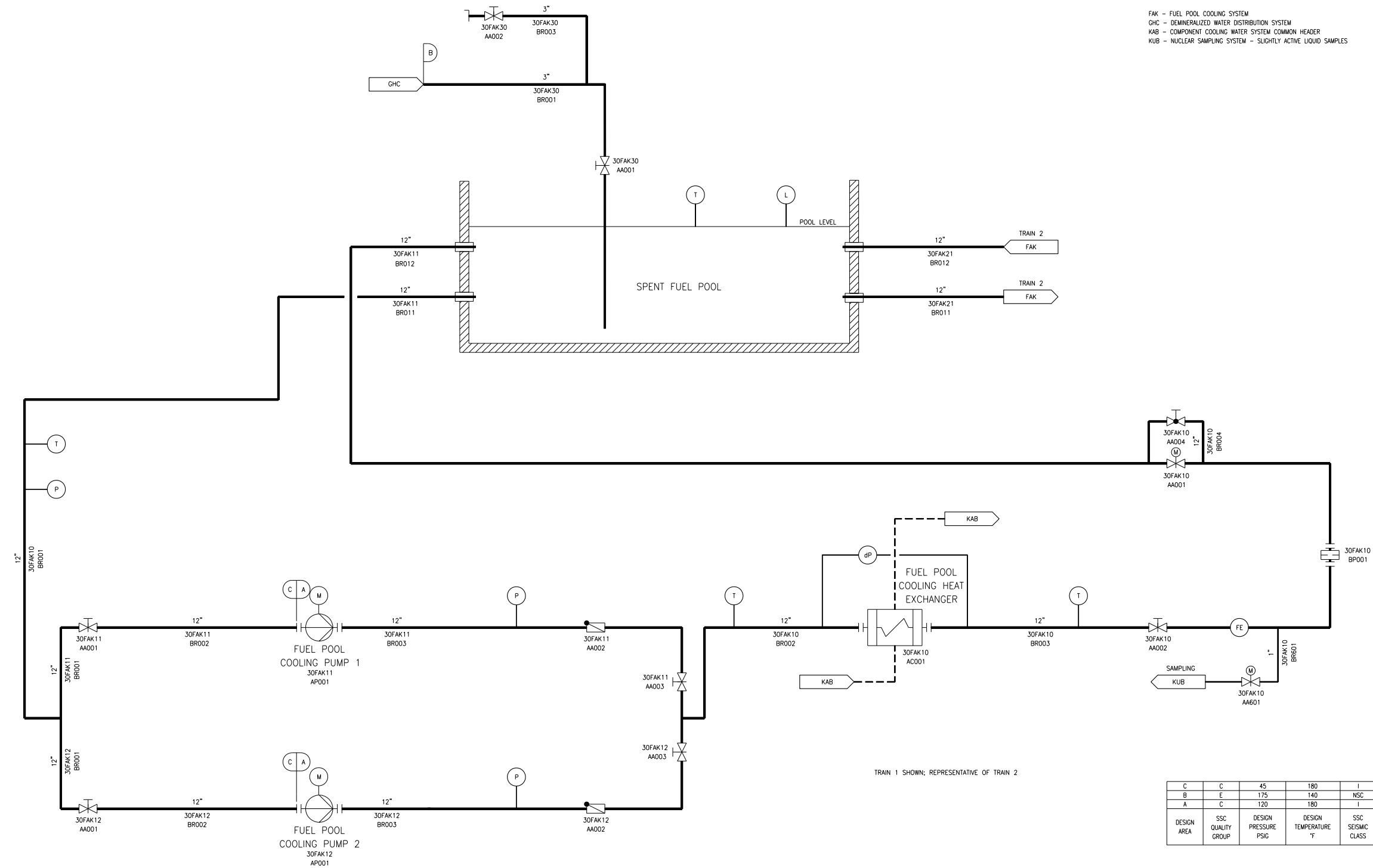
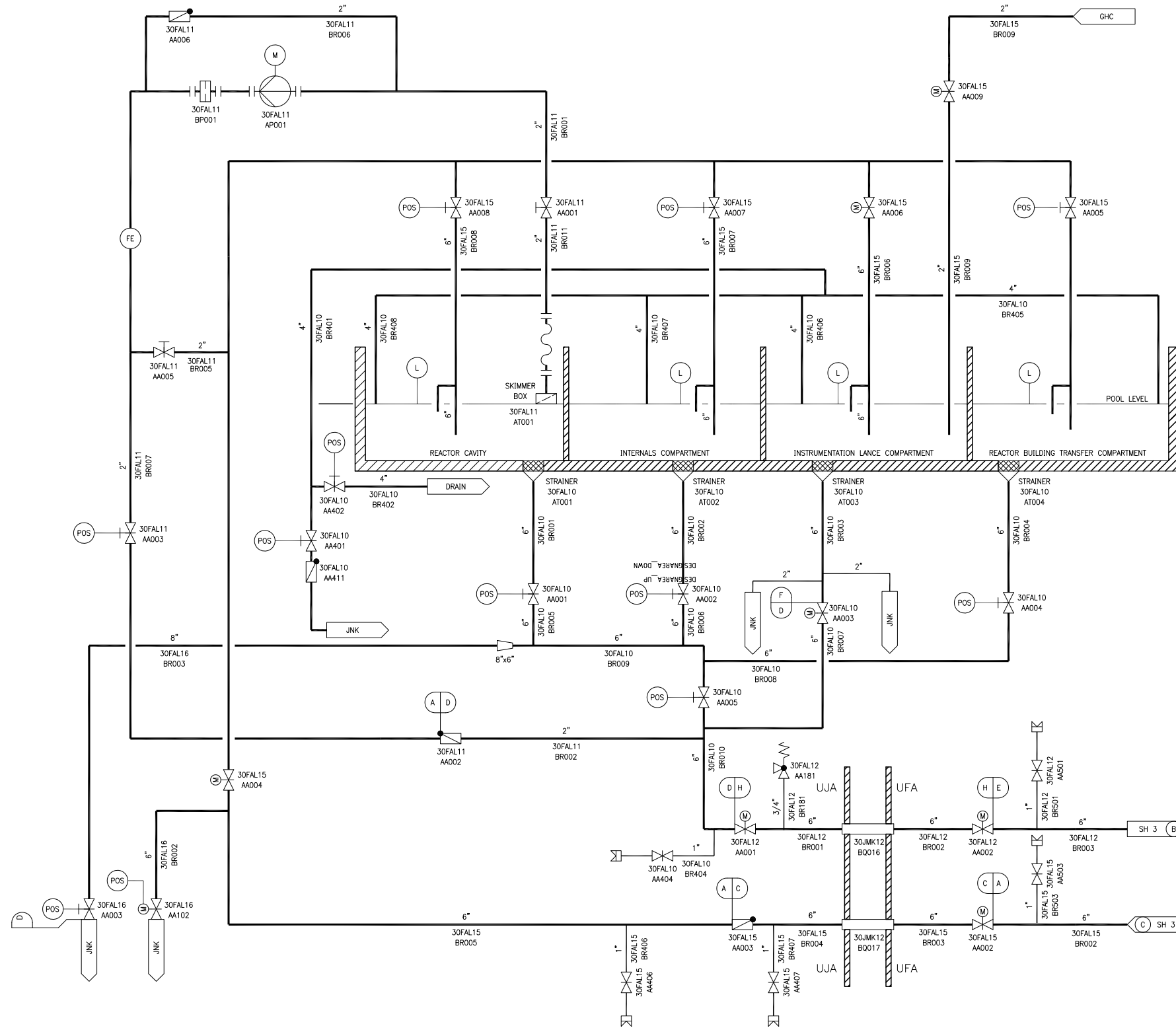


Figure 9.1.3-1—Fuel Pool Cooling System



FAK01T2

Figure 9.1.3-2—Fuel Pool Purification System  
Sheet 1 of 5

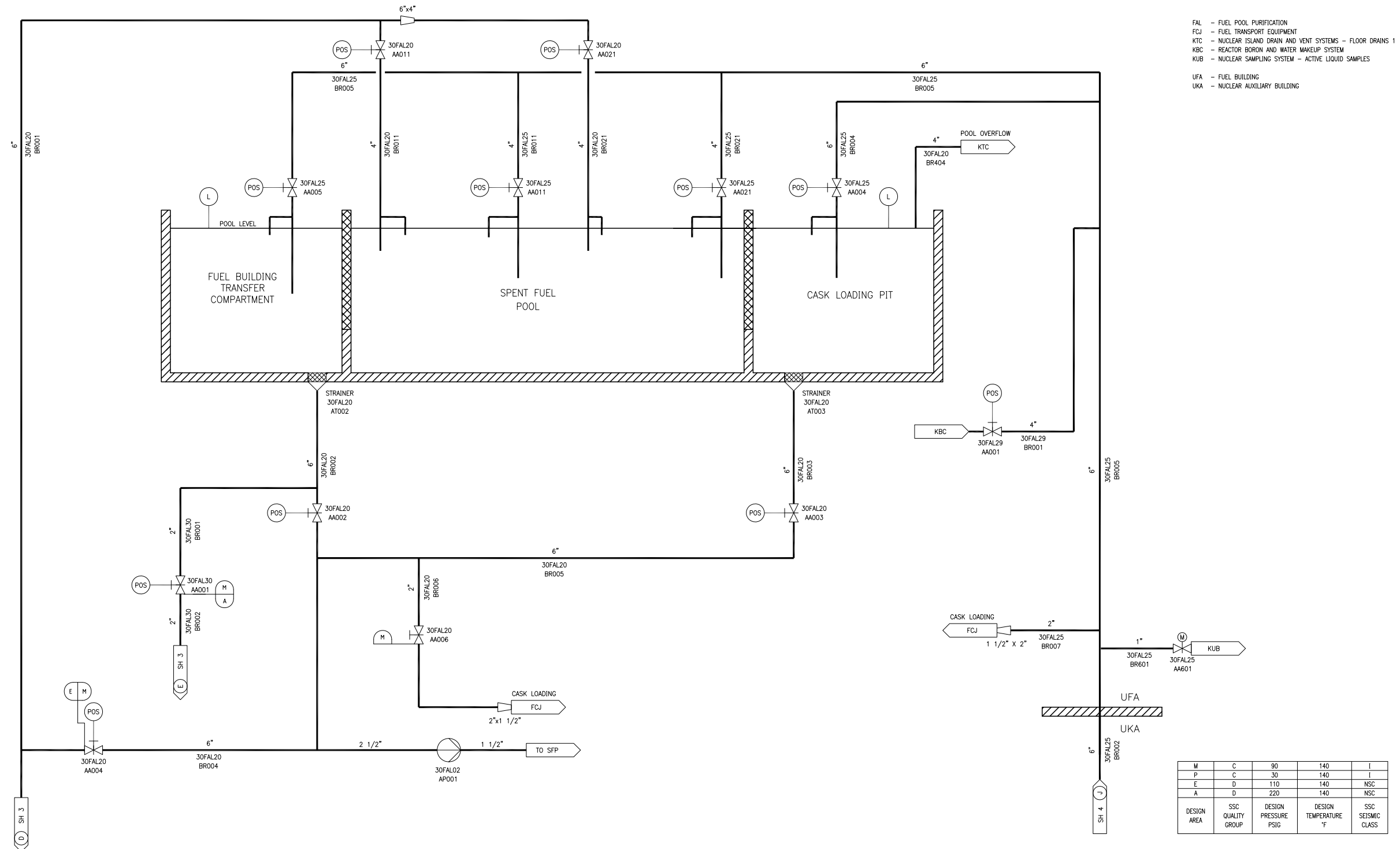


FAL - FUEL POOL PURIFICATION SYSTEM  
GHC - DEMINERALIZED WATER DISTRIBUTION SYSTEM  
JNK - IN-CONTAINMENT REFUELING WATER STORAGE TANK SYSTEM  
UFA - FUEL BUILDING  
UJA - REACTOR BUILDING

D	C	175	140	I
F	D	62	338	II
H	B	90	338	I
E	D	110	140	NSC
C	B	220	338	I
A	D	220	140	NSC
DESIGN AREA	SSC QUALITY GROUP	DESIGN PRESSURE PSIG	DESIGN TEMPERATURE °F	SSC SEISMIC CLASS

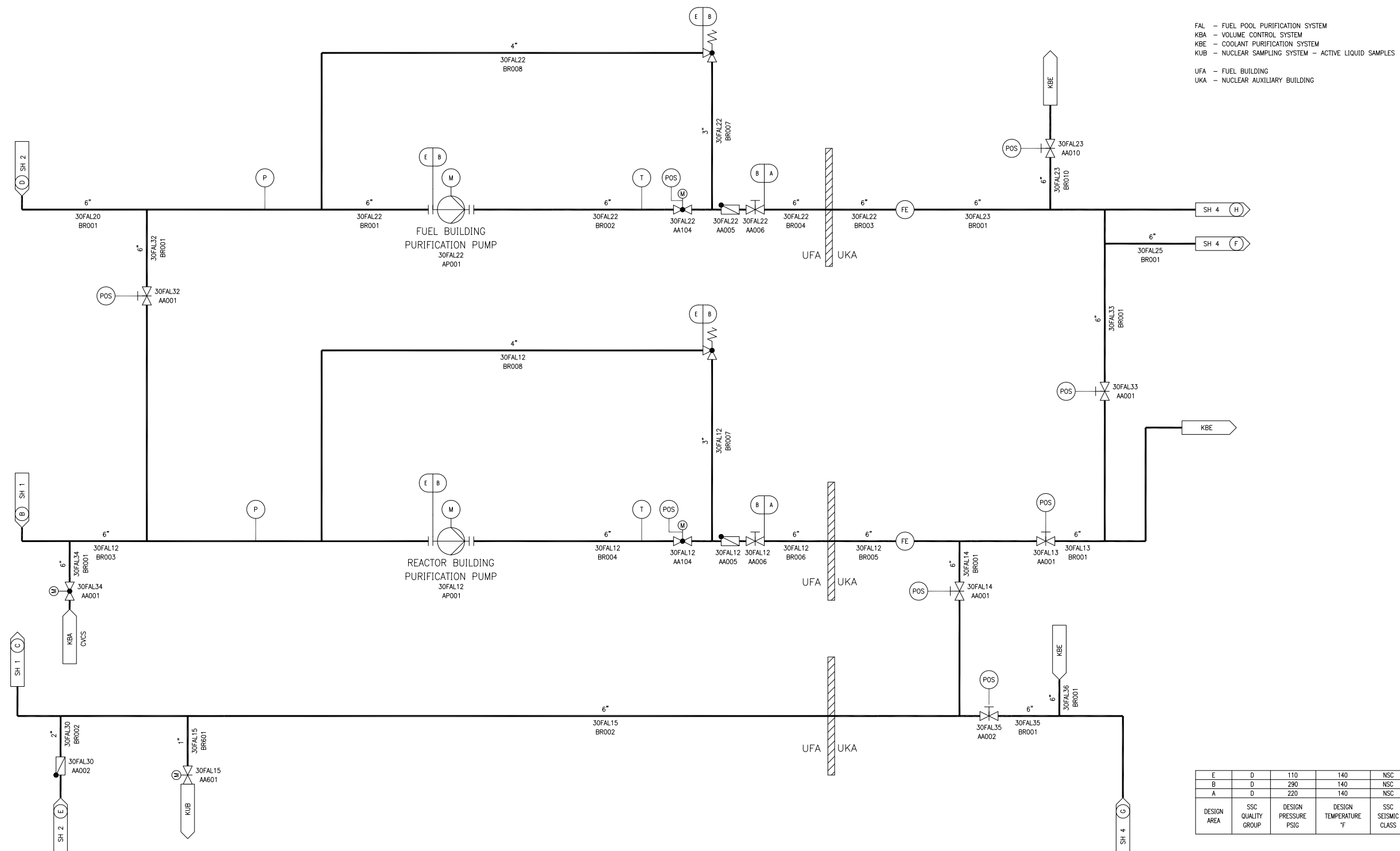
REV 005  
FAL01T2

Figure 9.1.3-2—Fuel Pool Purification System  
Sheet 2 of 5



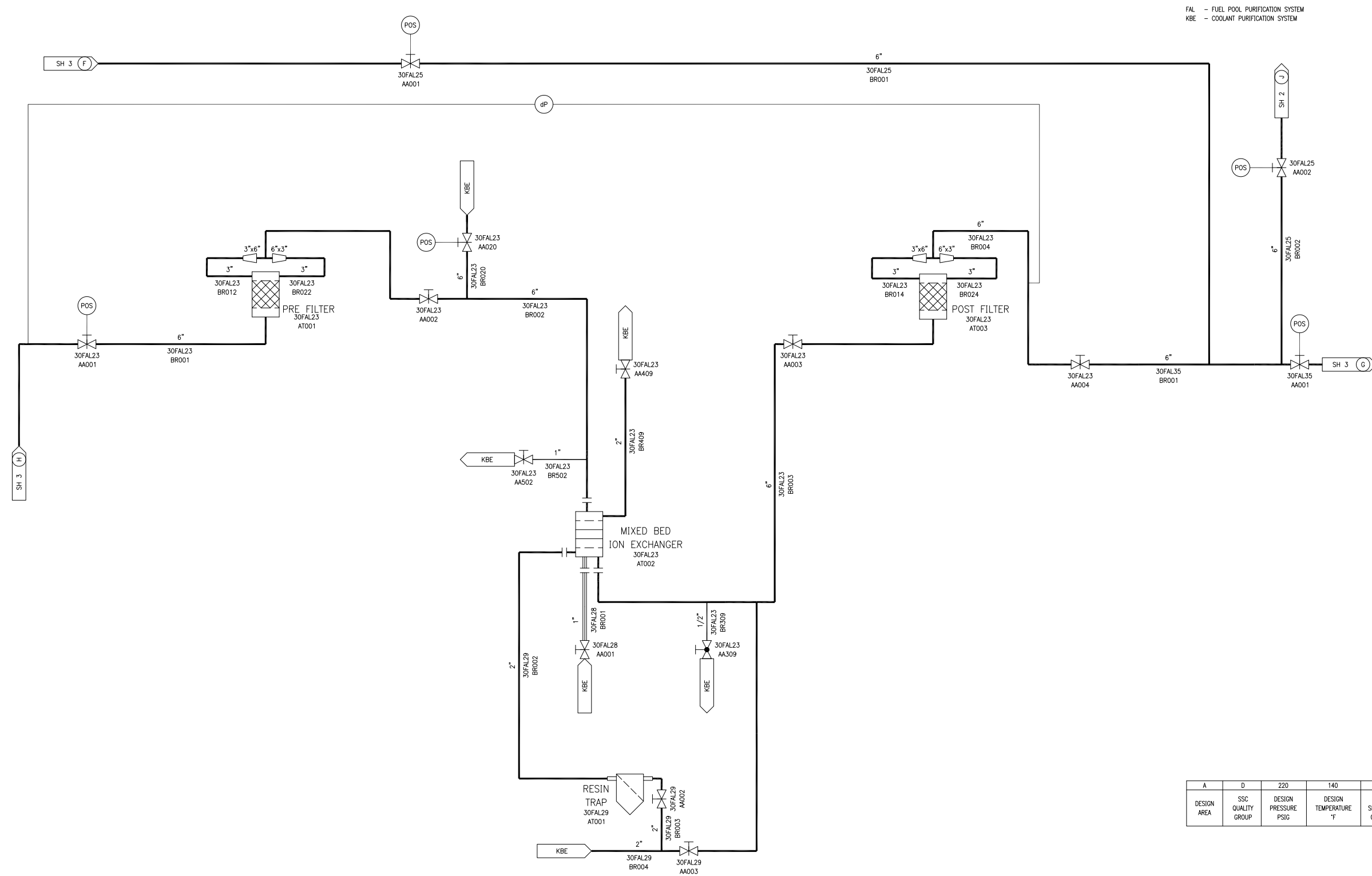
REV 005  
FAL02T2

Figure 9.1.3-2—Fuel Pool Purification System  
Sheet 3 of 5



REV 005  
FAL03T2

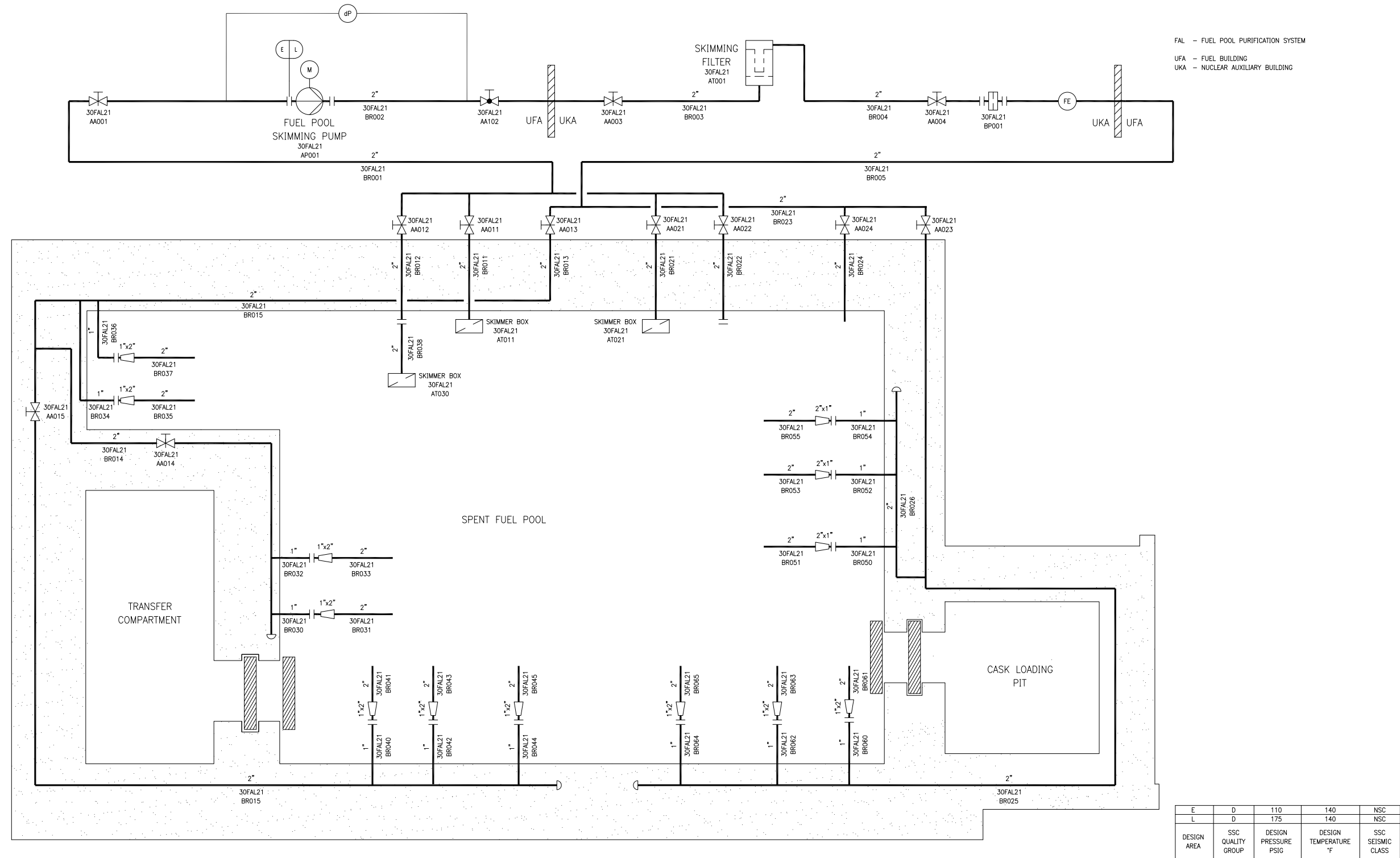
Figure 9.1.3-2—Fuel Pool Purification System  
Sheet 4 of 5



A	D	220	140	NSC
DESIGN AREA	SSC QUALITY GROUP	DESIGN PRESSURE PSIG	DESIGN TEMPERATURE °F	SSC SEISMIC CLASS

REV 005  
FAL04T2

Figure 9.1.3-2—Fuel Pool Purification System  
Sheet 5 of 5



REV 005  
FAL05T2