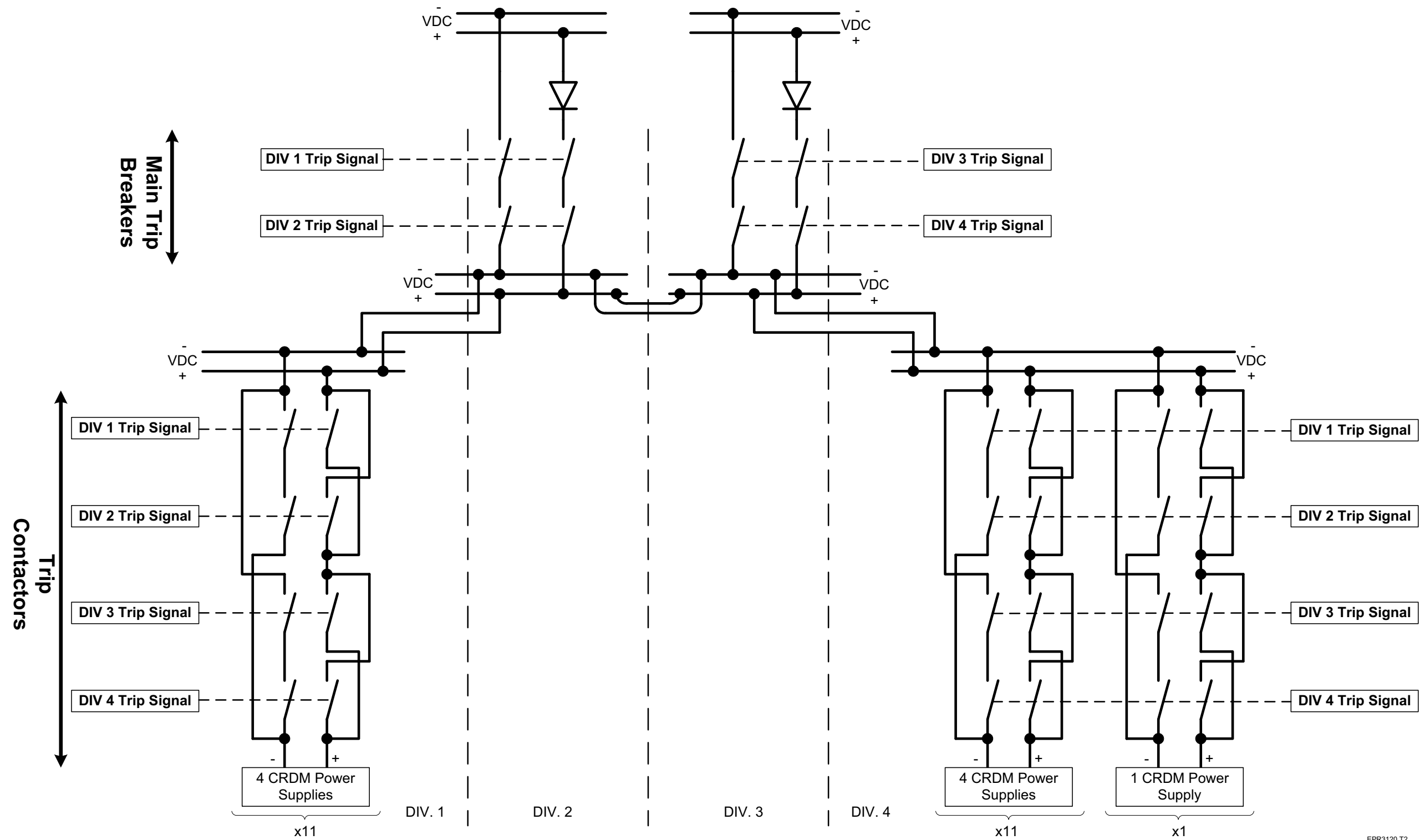
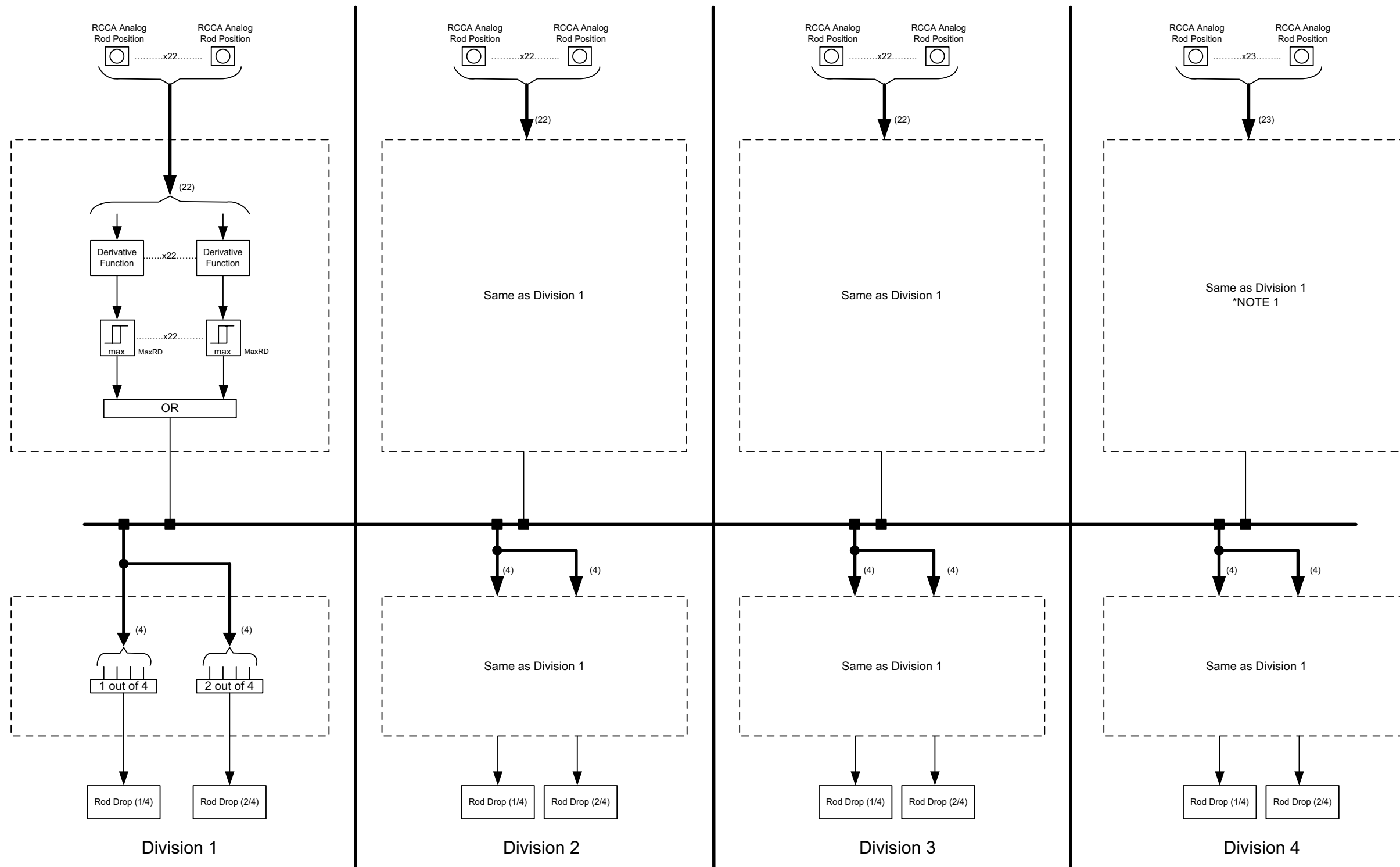


Figure 7.2-4—Safety Related RT Devices



EPR3120 T2

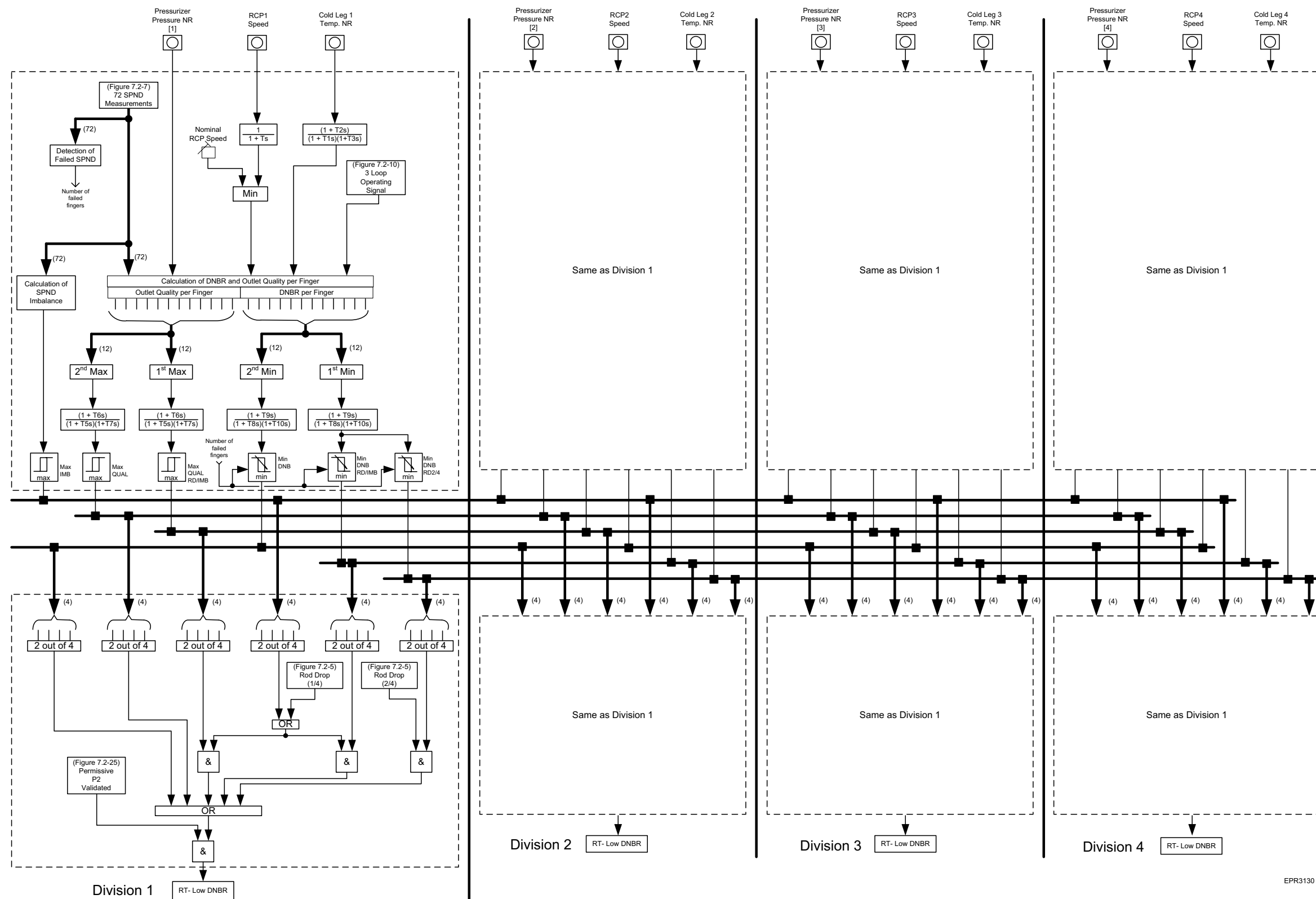
Figure 7.2-5—Rod Drop Detection



NOTE 1: 23 measurements are acquired in Division 4, including the center RCCA.

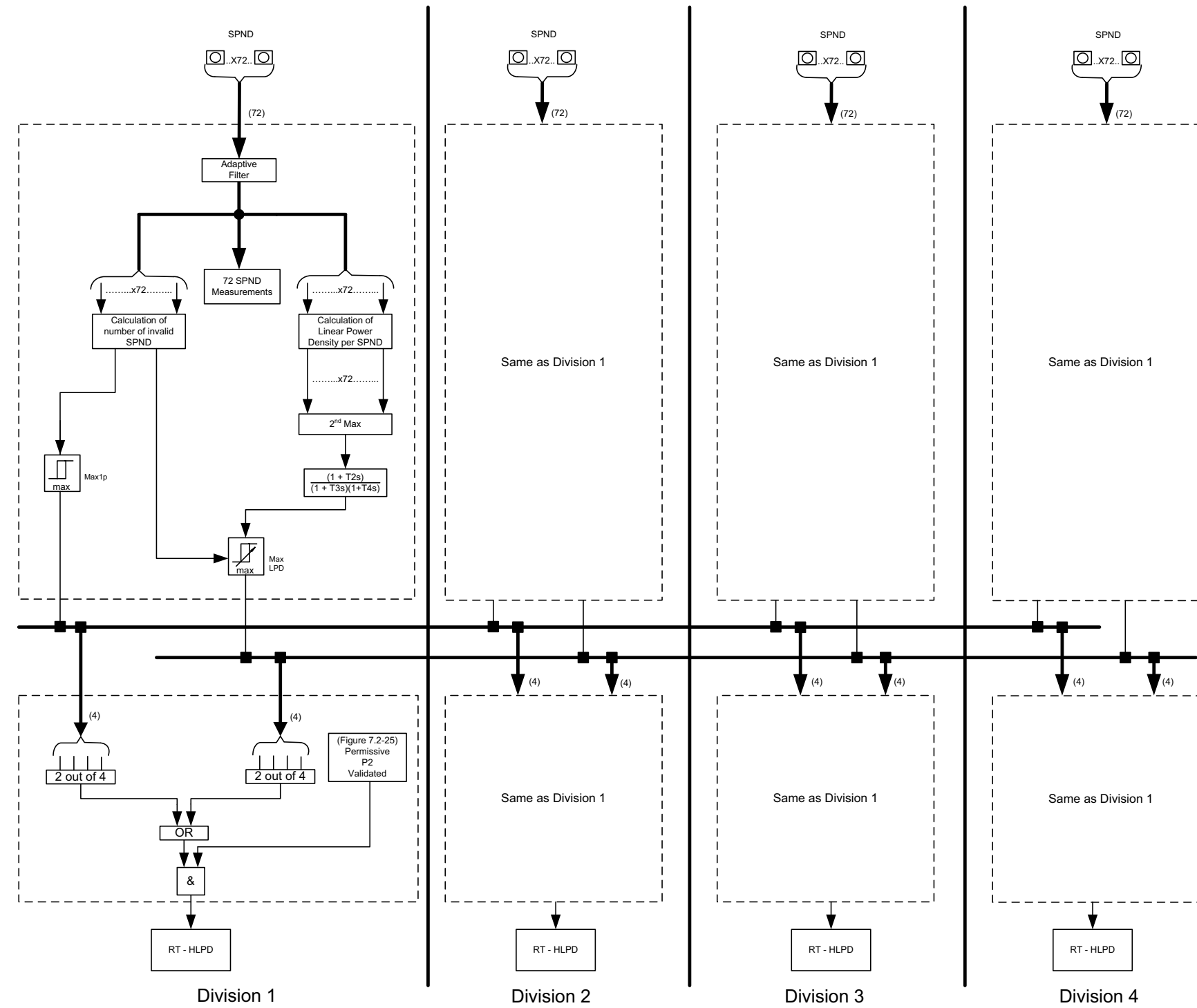
REV 003  
EPR3125 T2

Figure 7.2-6—Low DNBR



EPR3130 T2

Figure 7.2-7—High Linear Power Density



REV 003  
EPR3135 T2

Figure 7.2-8—High Neutron Flux Rate of Change

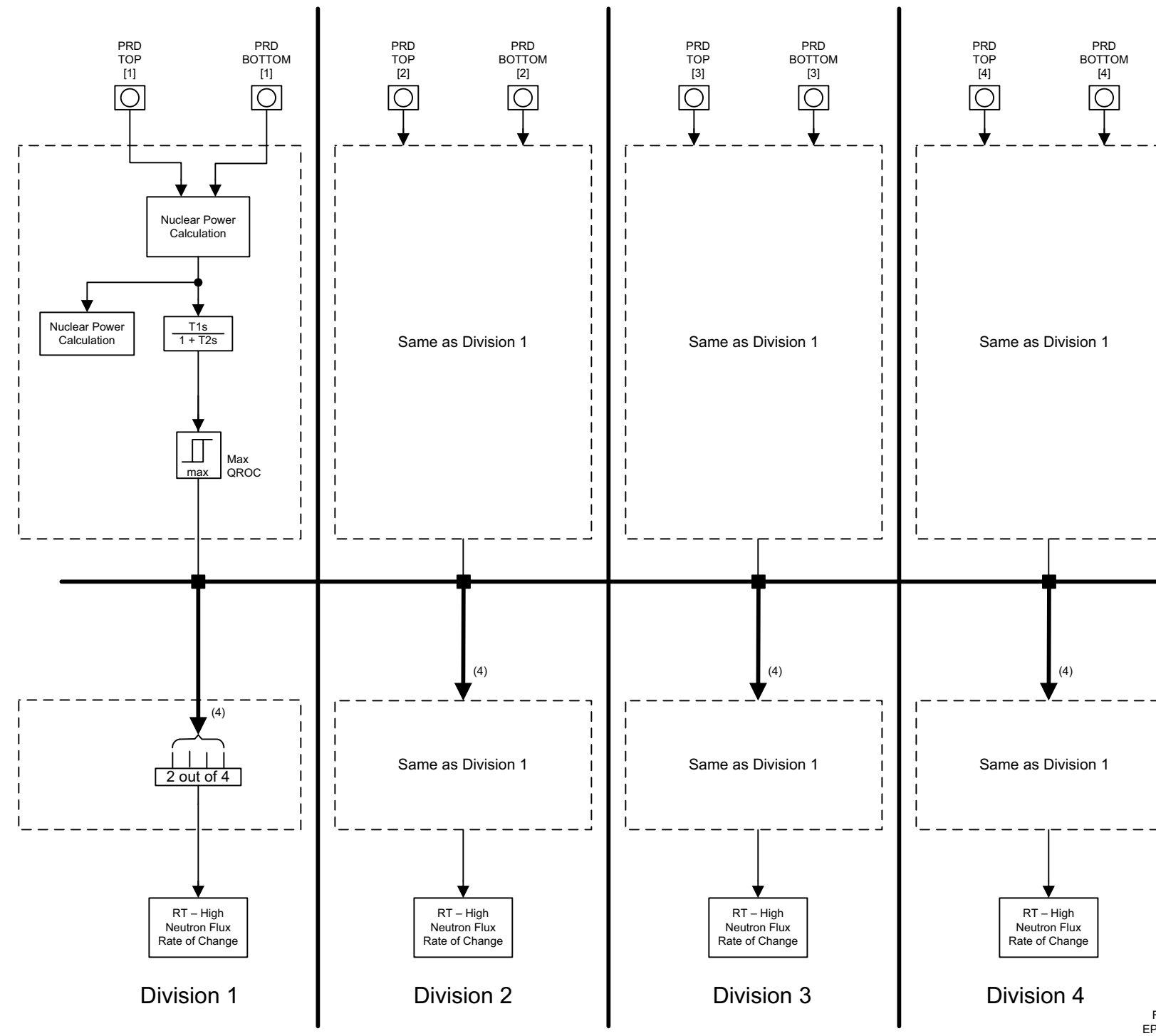
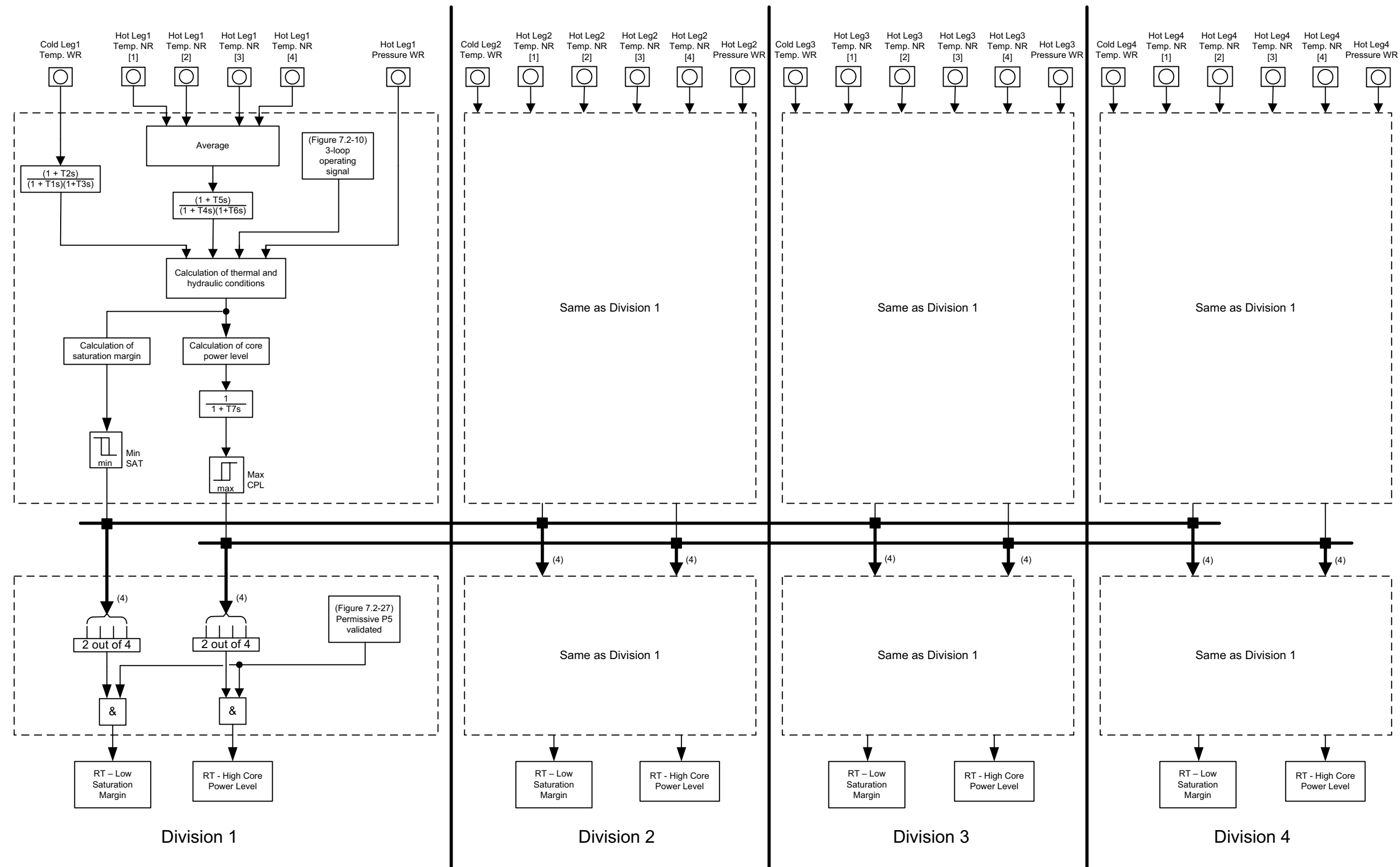
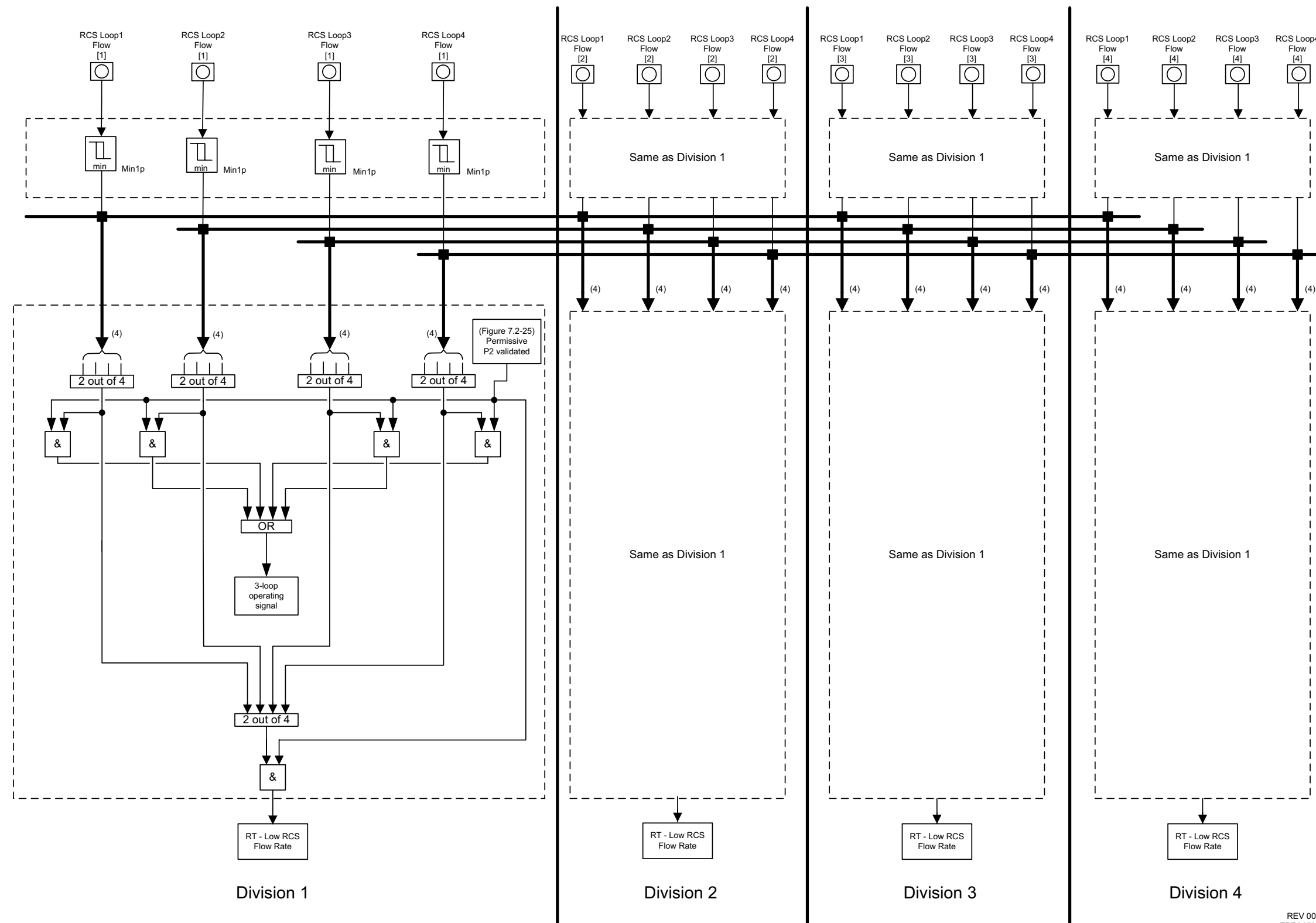


Figure 7.2-9—High Core Power Level & Low Saturation Margin



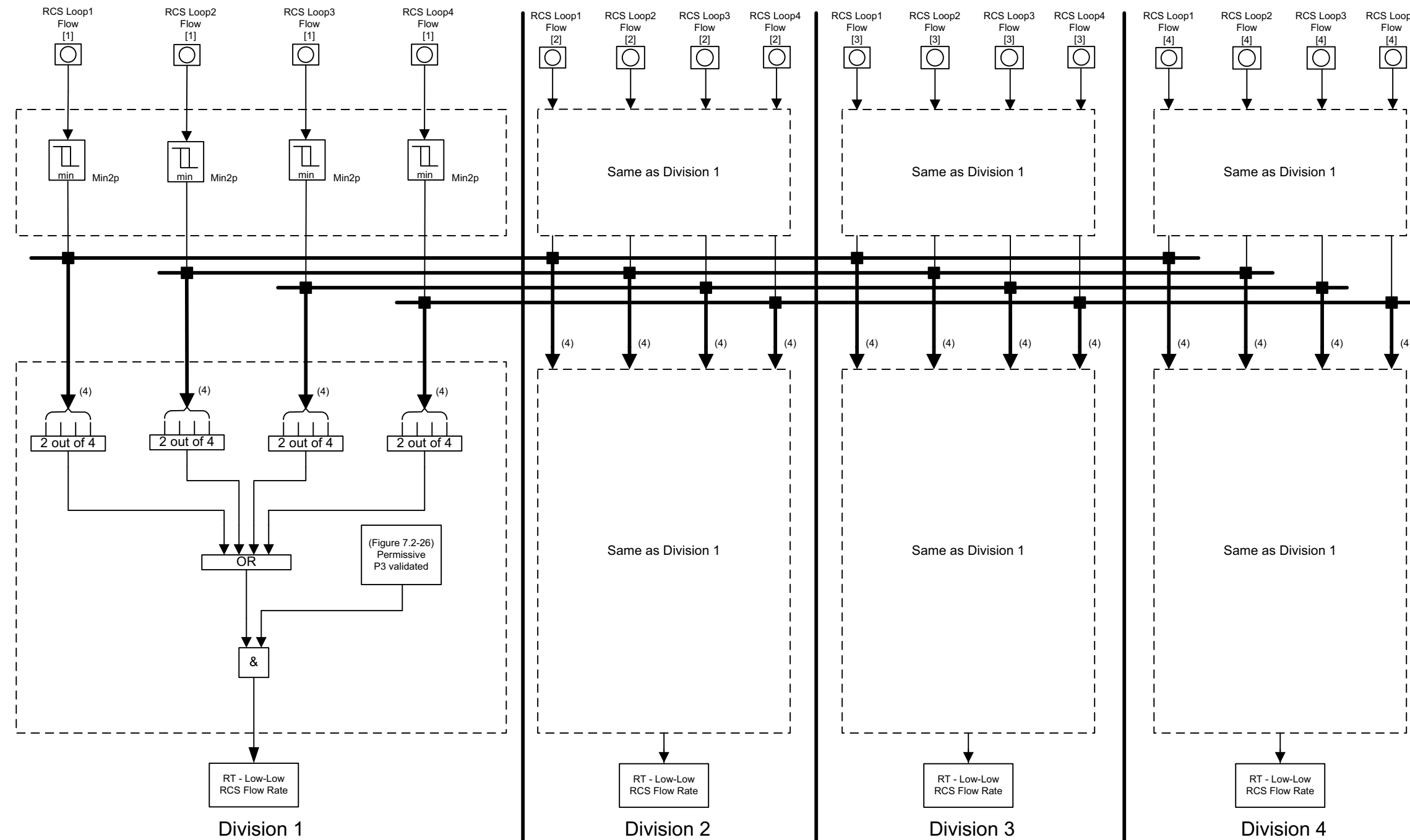
REV 003  
EPR3145 T2

Figure 7.2-10—Low RCS Flow Rate



REV 003  
EPR3150 T2

Figure 7.2-11—Low - Low RCS Flow Rate



REV 003  
EPR3155 T2



Figure 7.2-12—Low RCP Speed

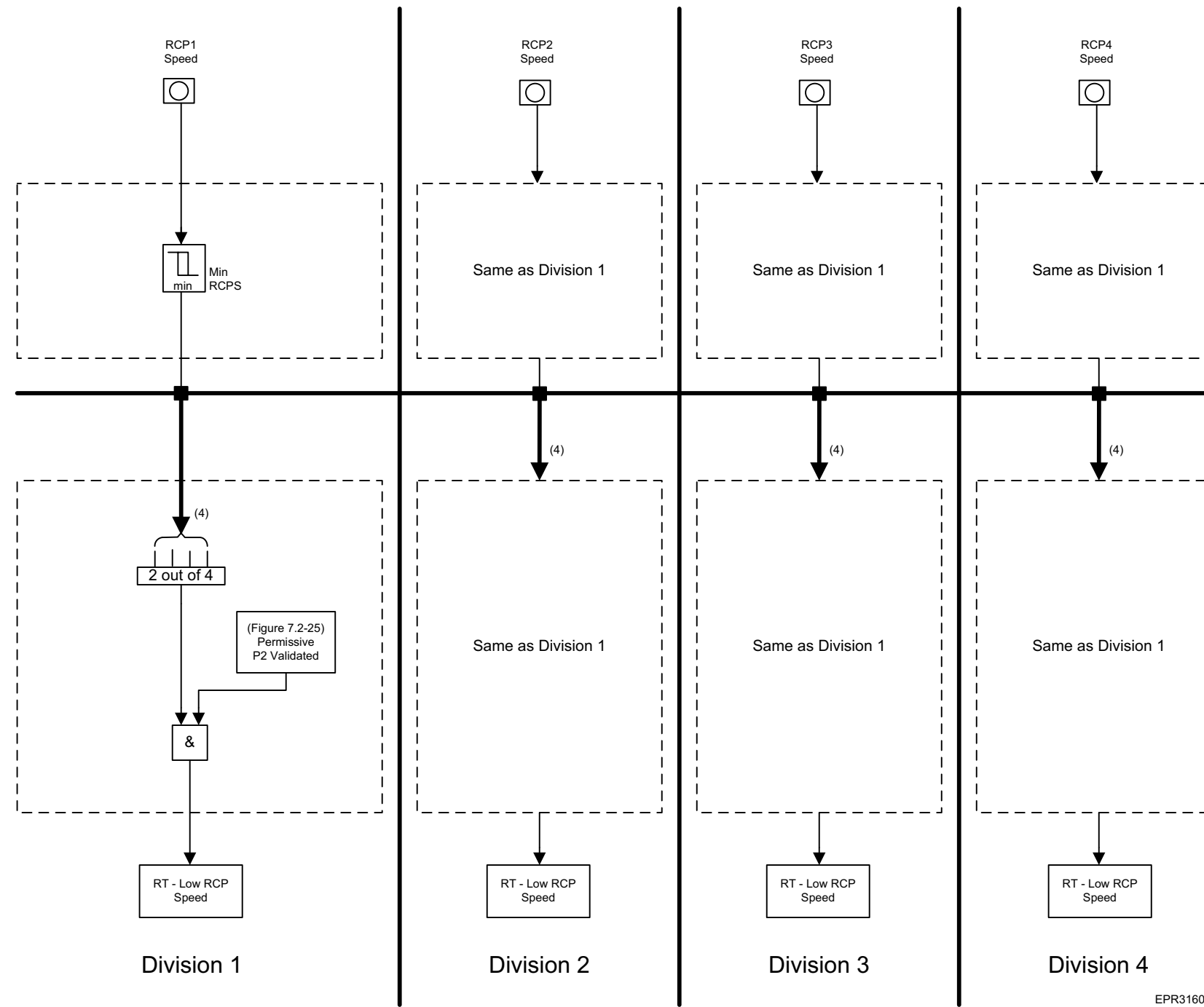
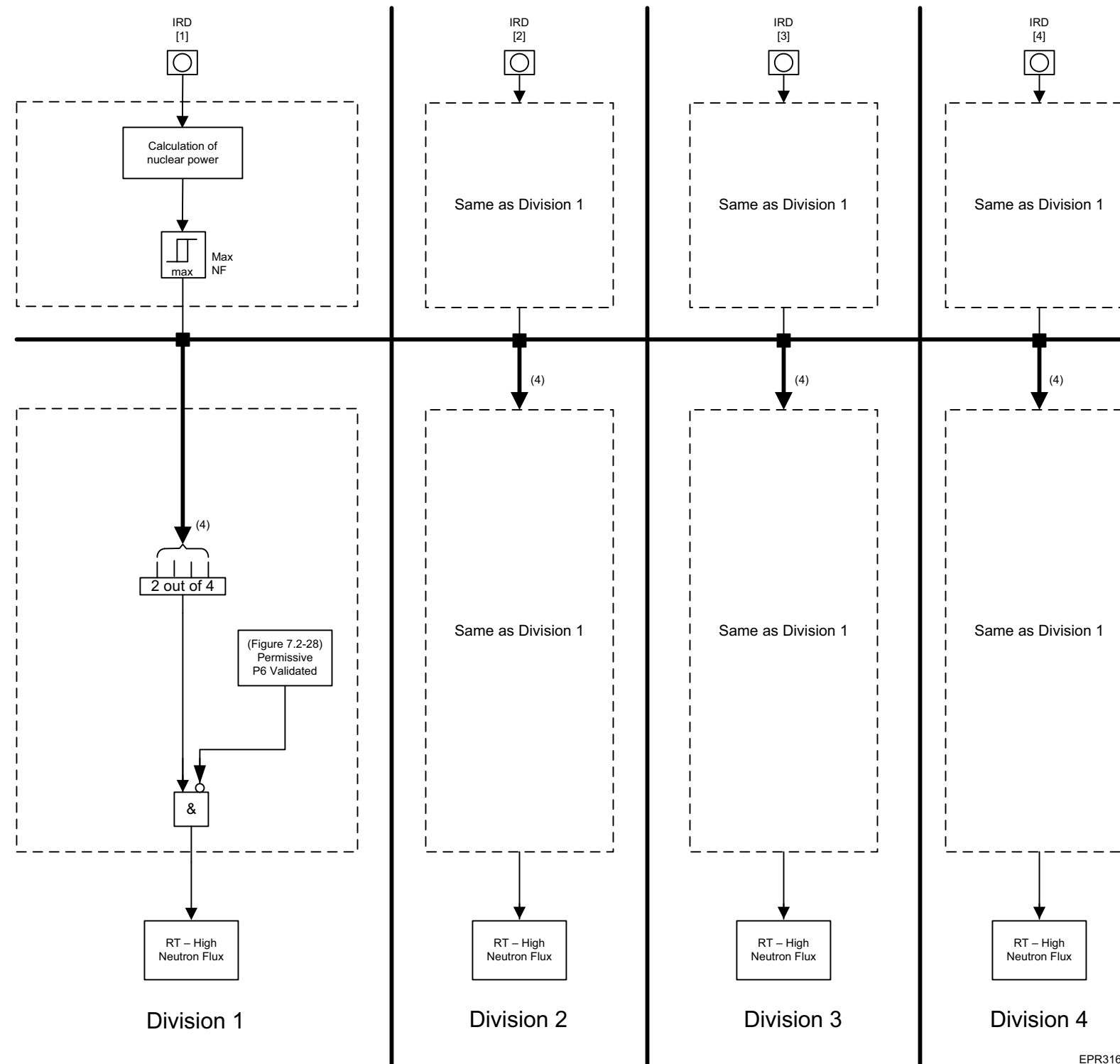
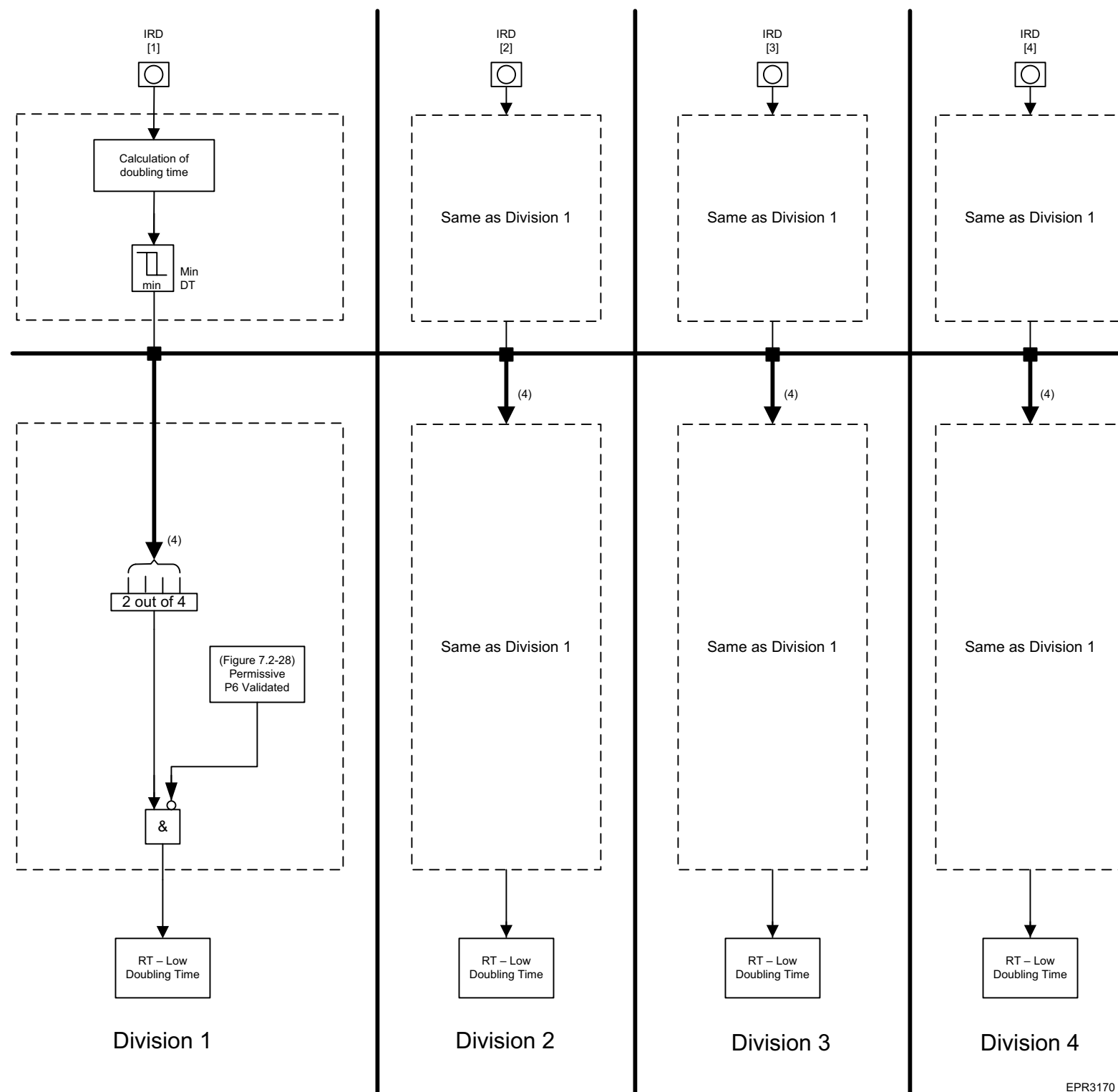


Figure 7.2-13—High Neutron Flux



EPR3165 T2

Figure 7.2-14—Low Doubling Time



EPR3170 T2

Figure 7.2-15—Low Pressurizer Pressure & High Pressurizer Pressure

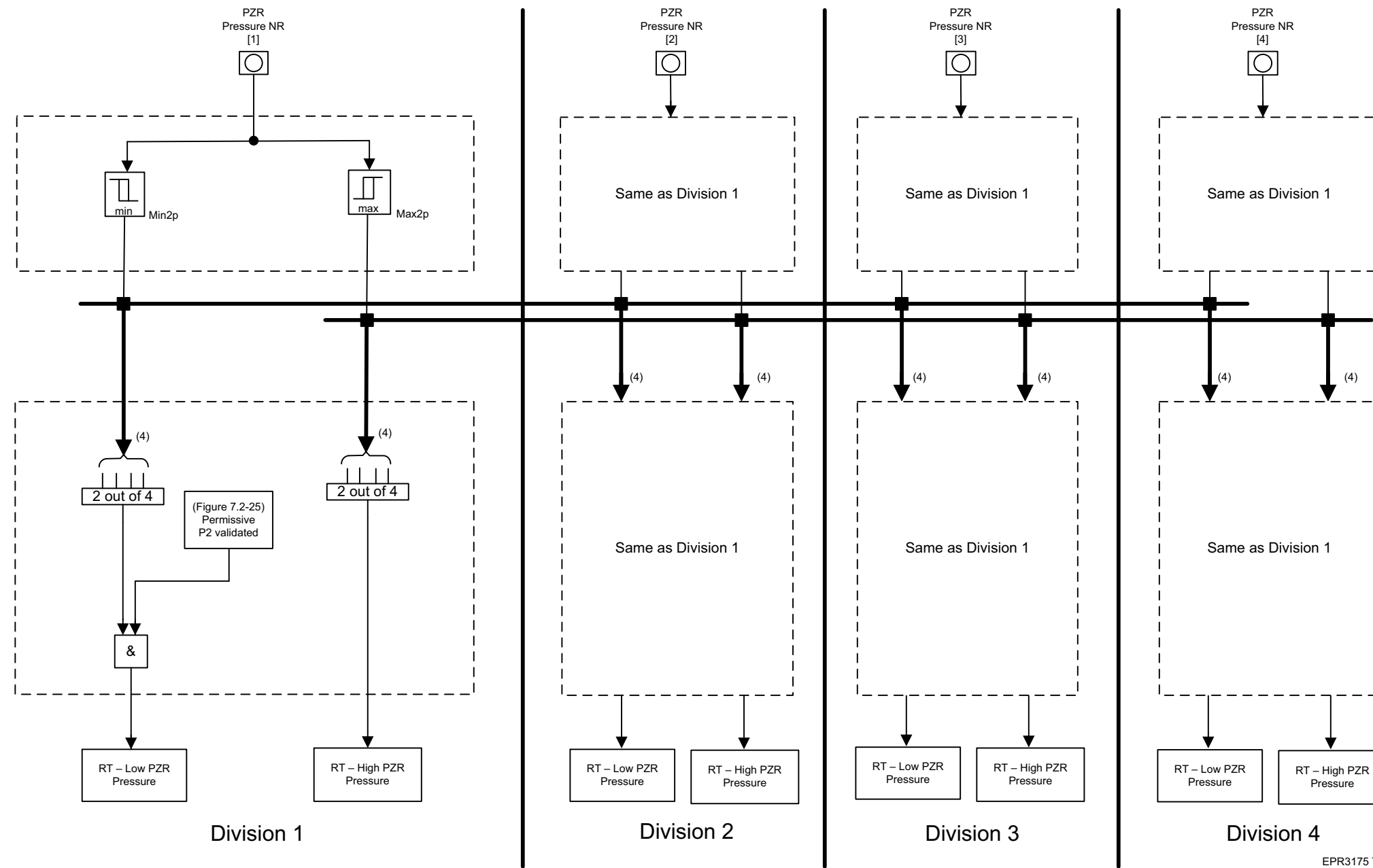
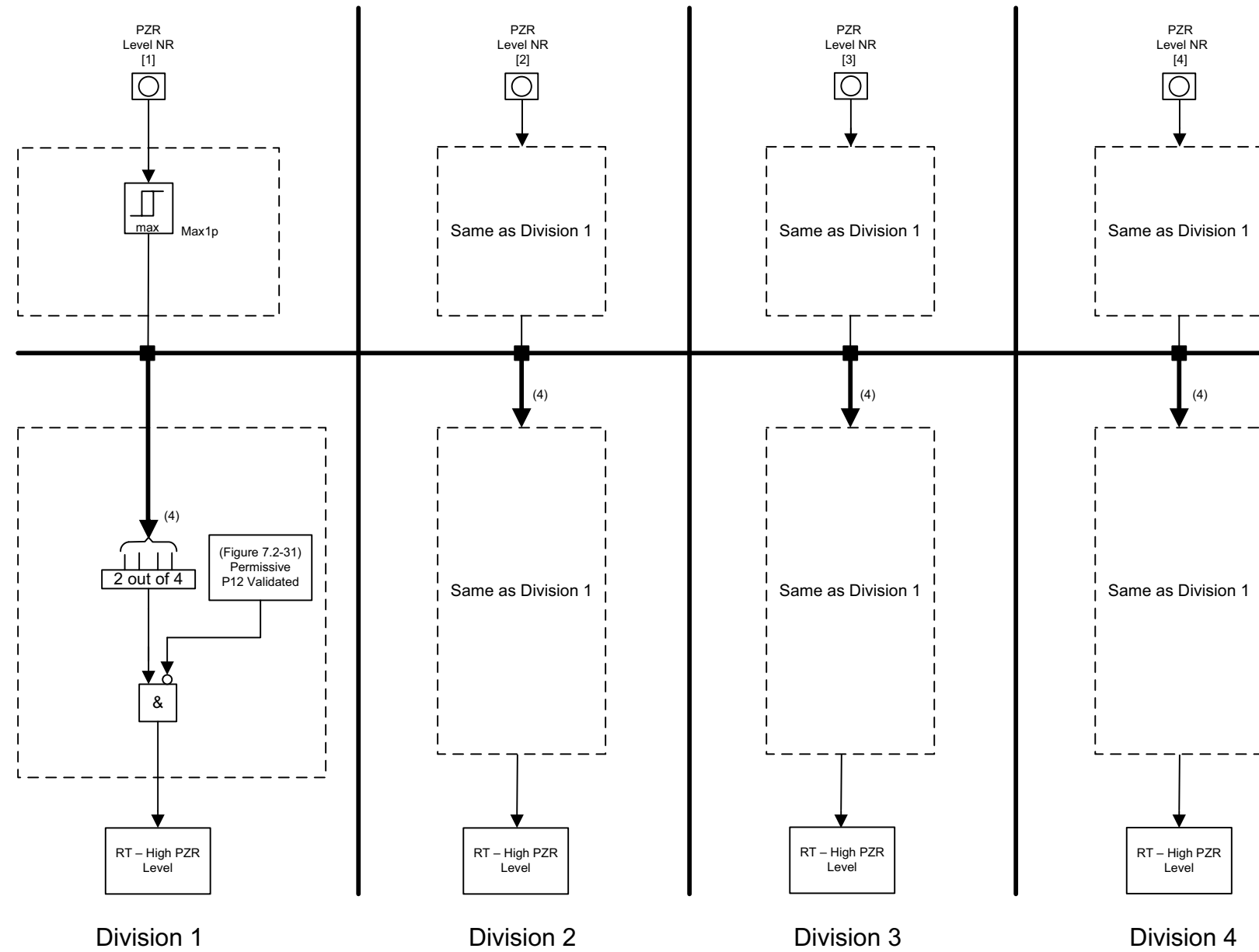


Figure 7.2-16—High Pressurizer Level



EPR3180 T2

Figure 7.2-17—Low Hot Leg Pressure

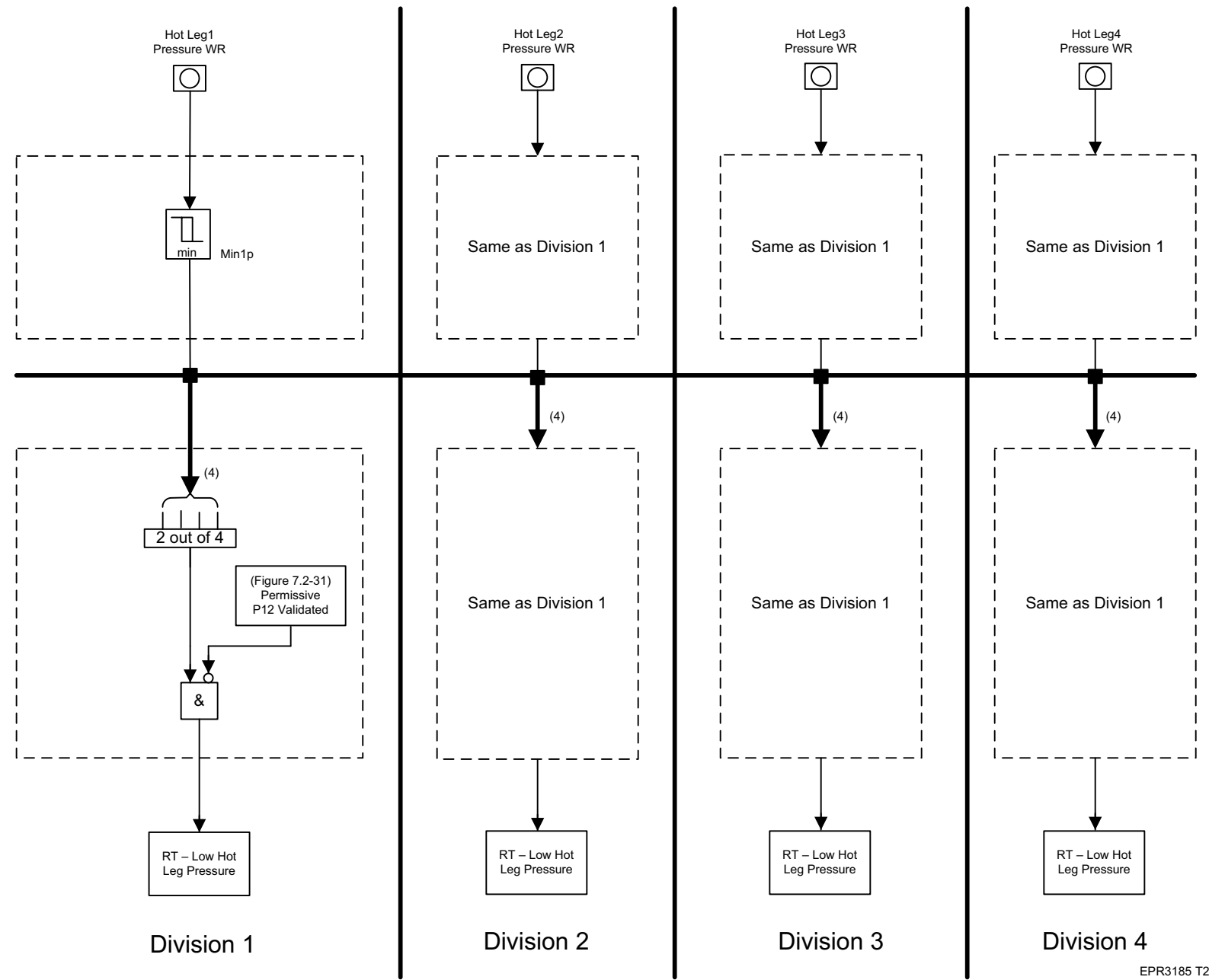
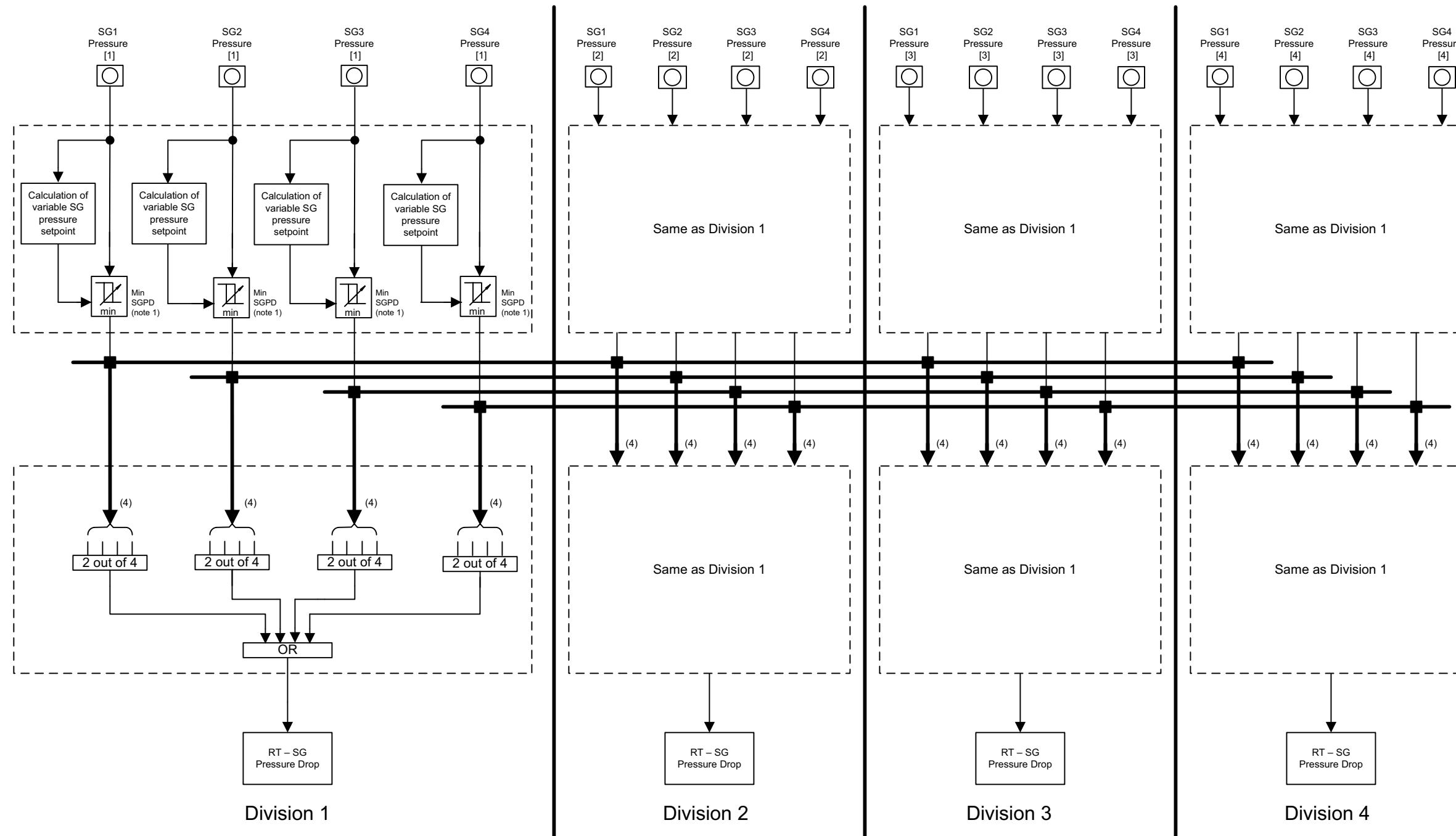


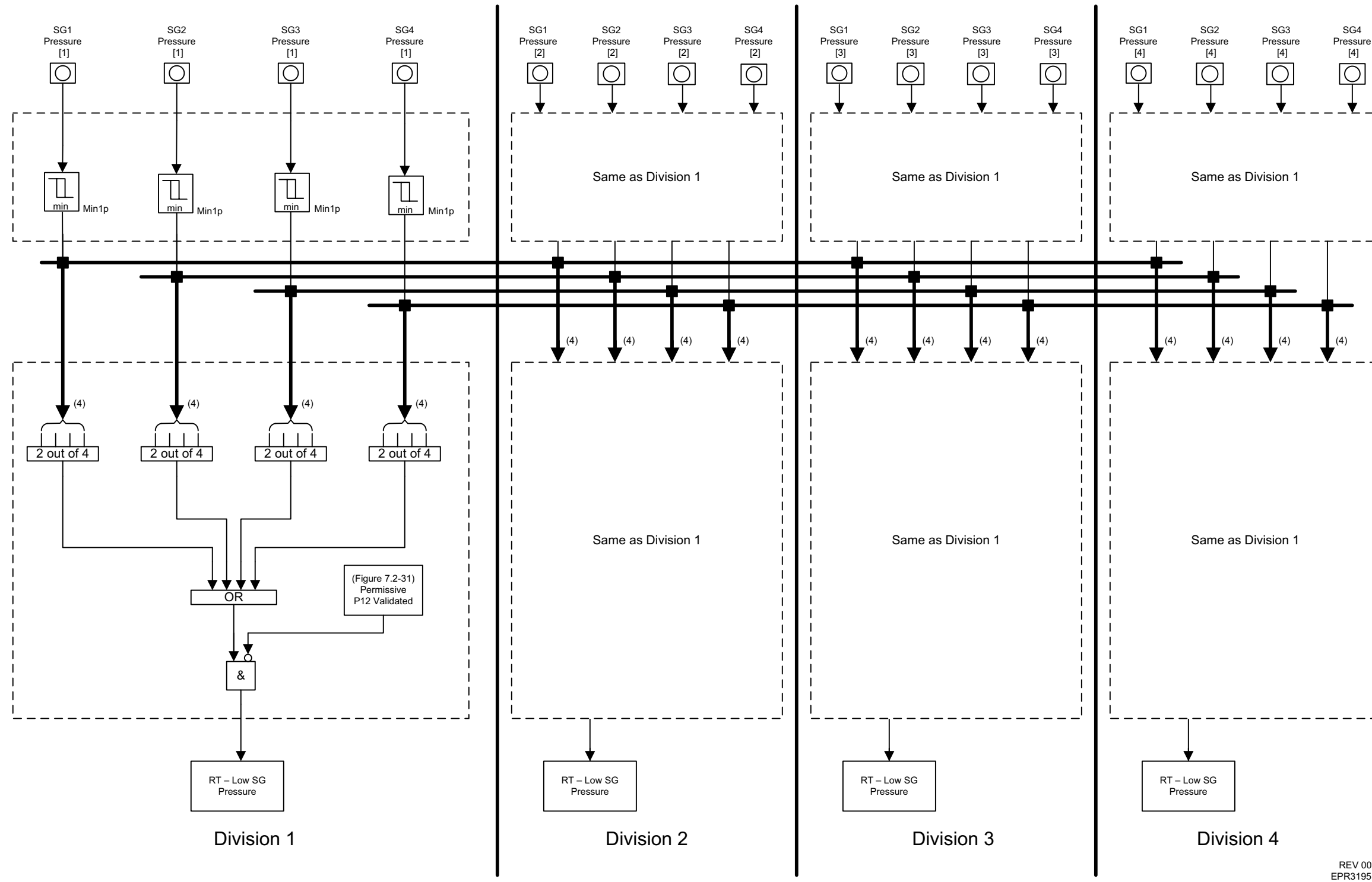
Figure 7.2-18—SG Pressure Drop



Note 1: The condition to be detected is a SG pressure drop > Max1p. This is implemented with a variable "Min" setpoint that decreases in a rate-limited manner.

REV 003  
EPR3190 T2

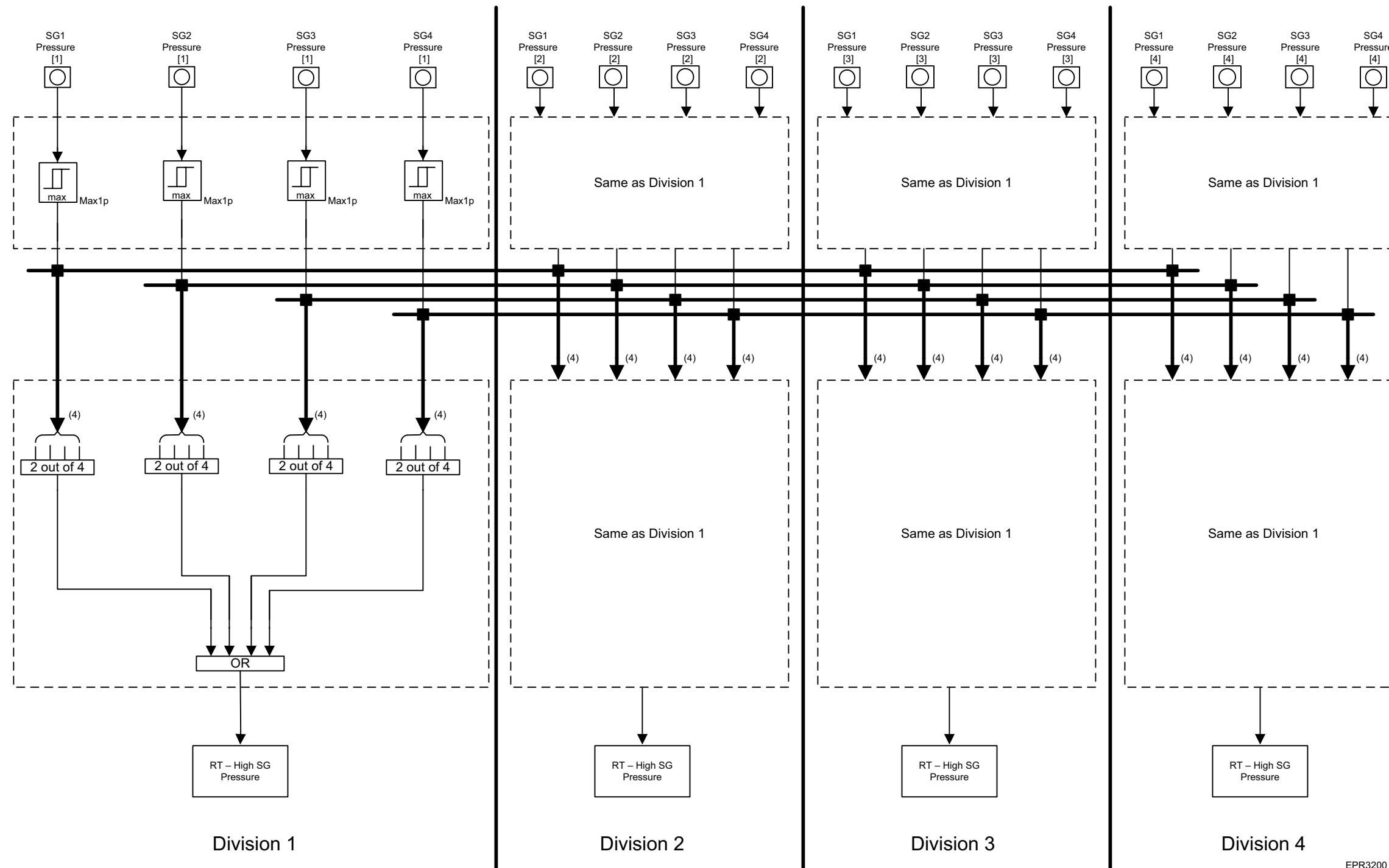
Figure 7.2-19—Low SG Pressure



REV 003  
EPR3195 T2

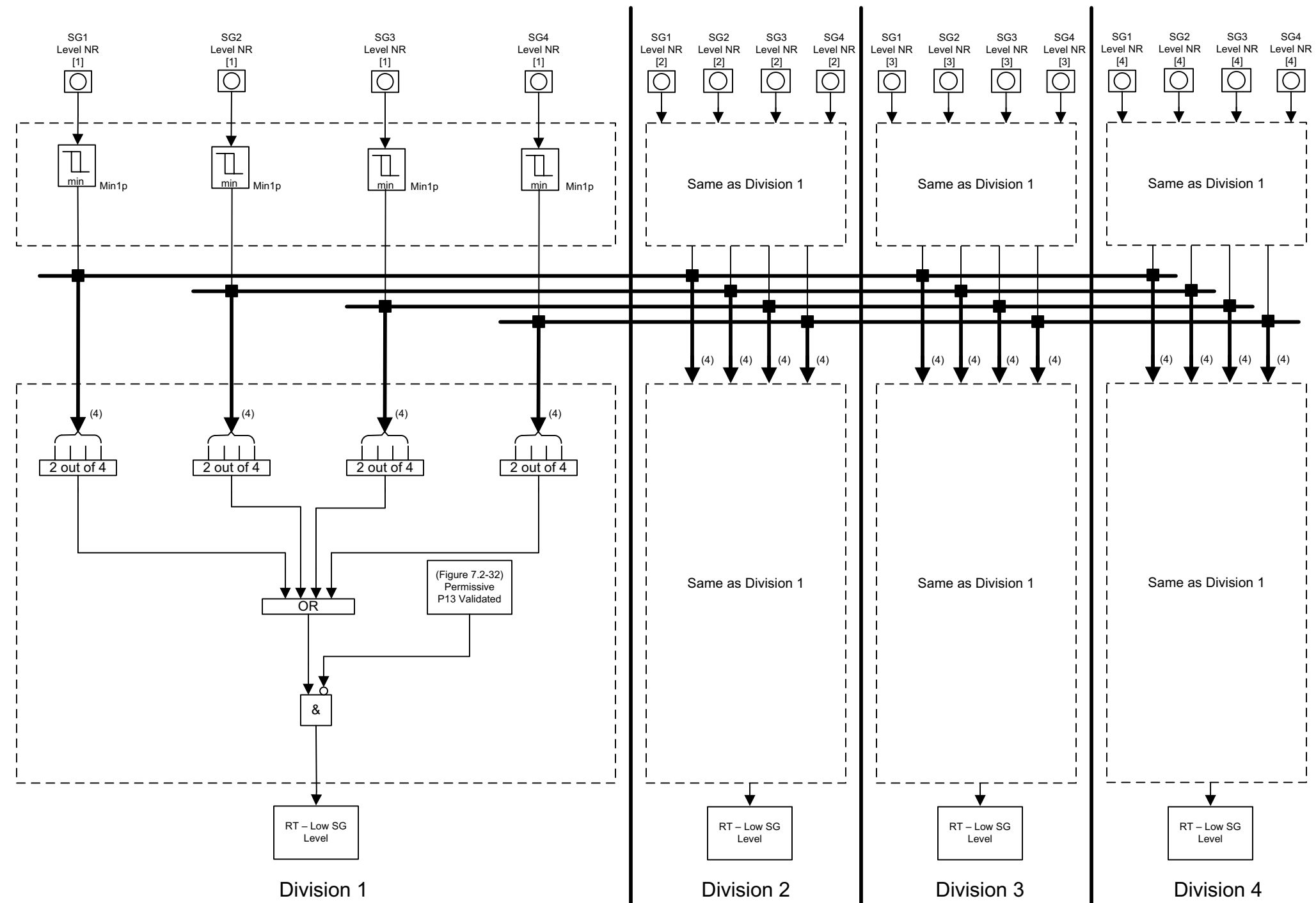


Figure 7.2-20—High SG Pressure



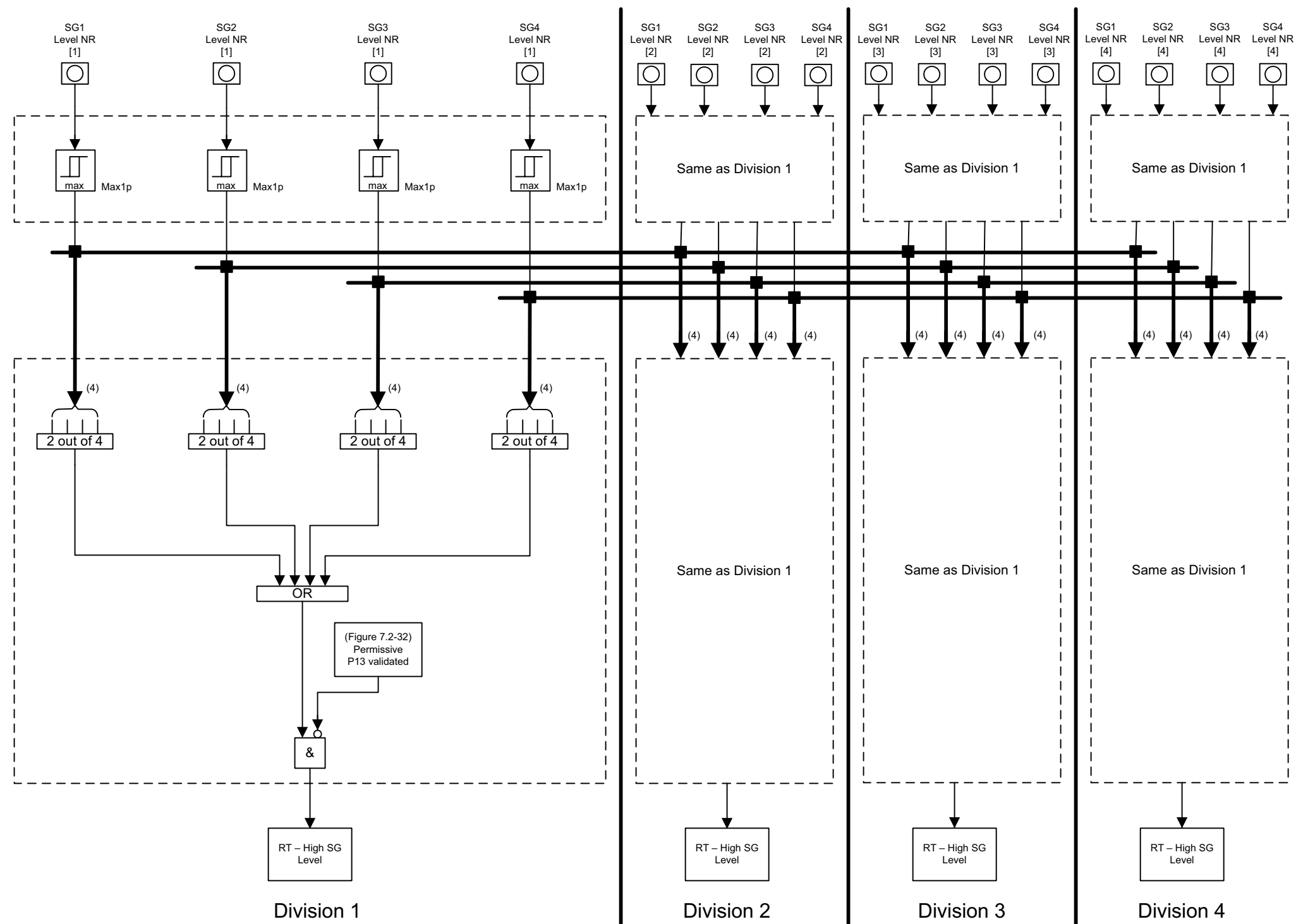
EPR3200 T2

Figure 7.2-21—Low SG Level



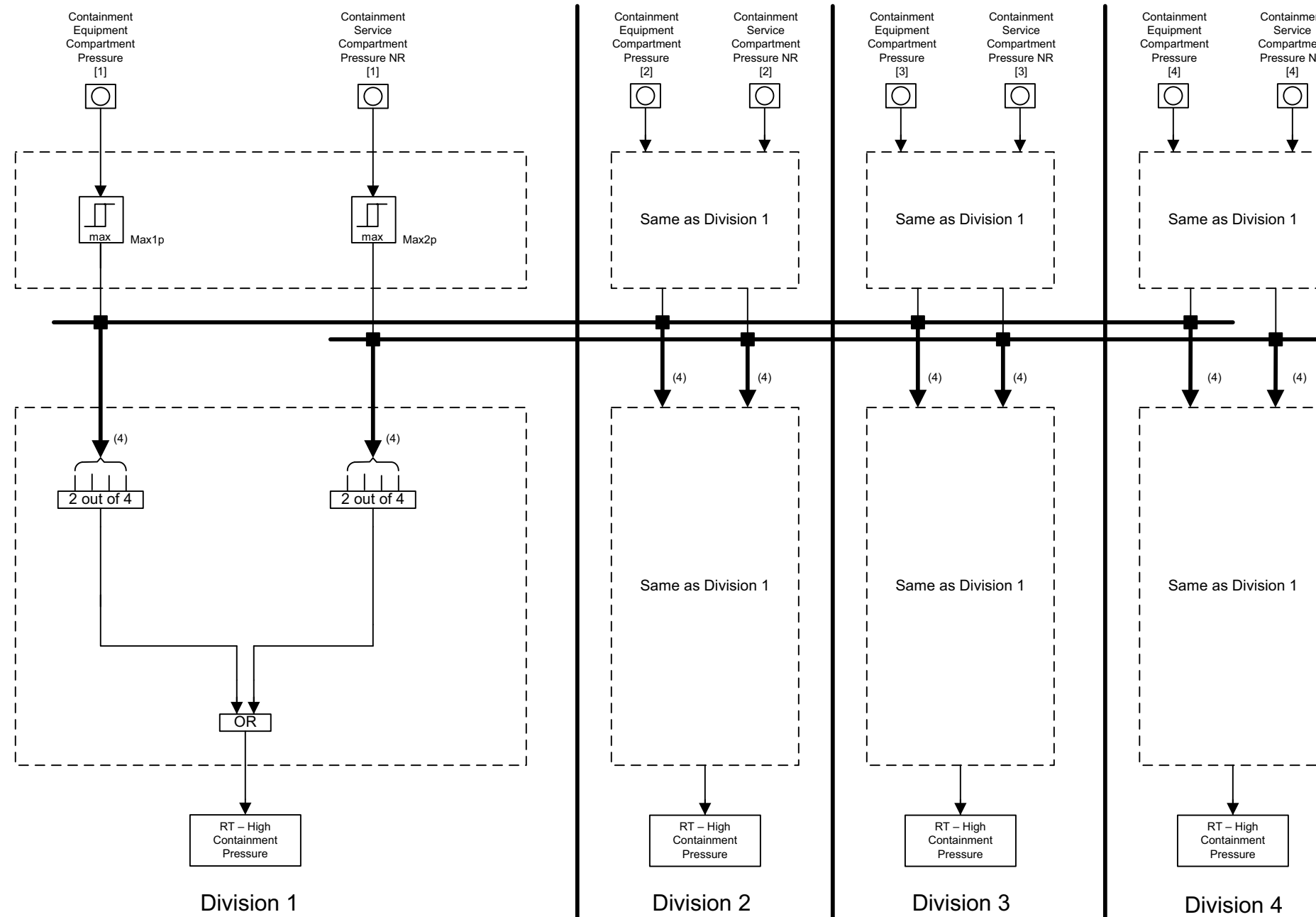
REV 003  
EPR3205 T2

Figure 7.2-22—High SG Level



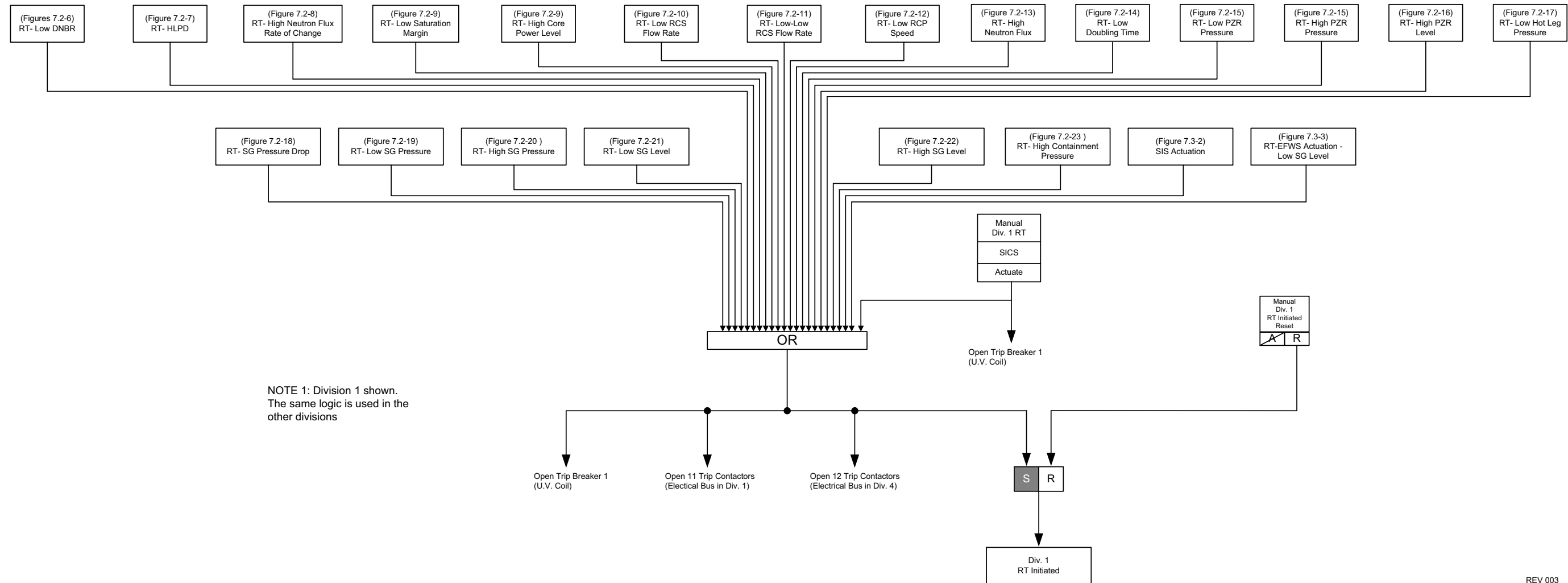
EPR3210 T2

Figure 7.2-23—High Containment Pressure



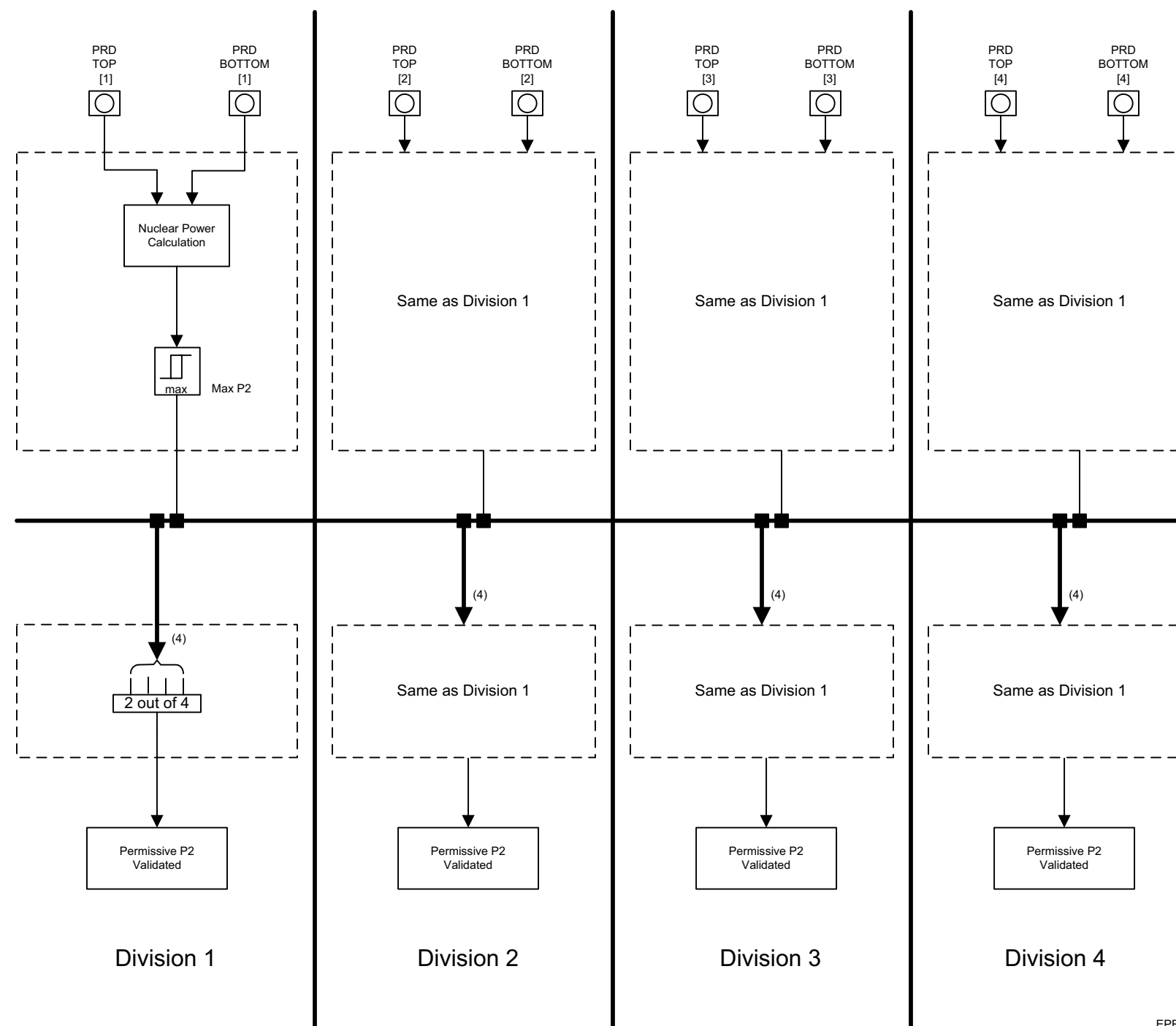
REV 003  
EPR3215 T2

Figure 7.2-24—RT Signal Generation



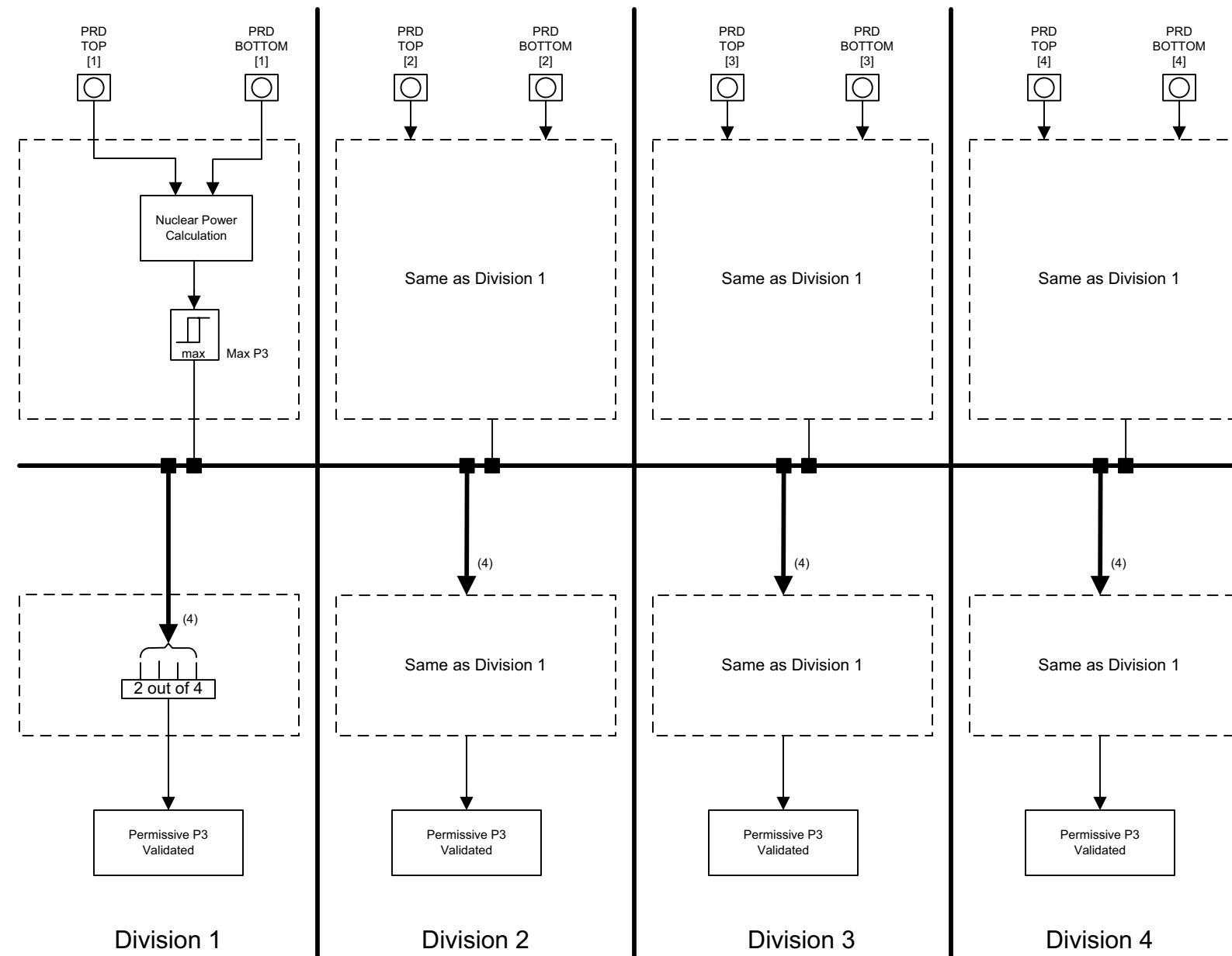
REV 003  
EPR3220 T2

Figure 7.2-25—P2 Permissive Logic



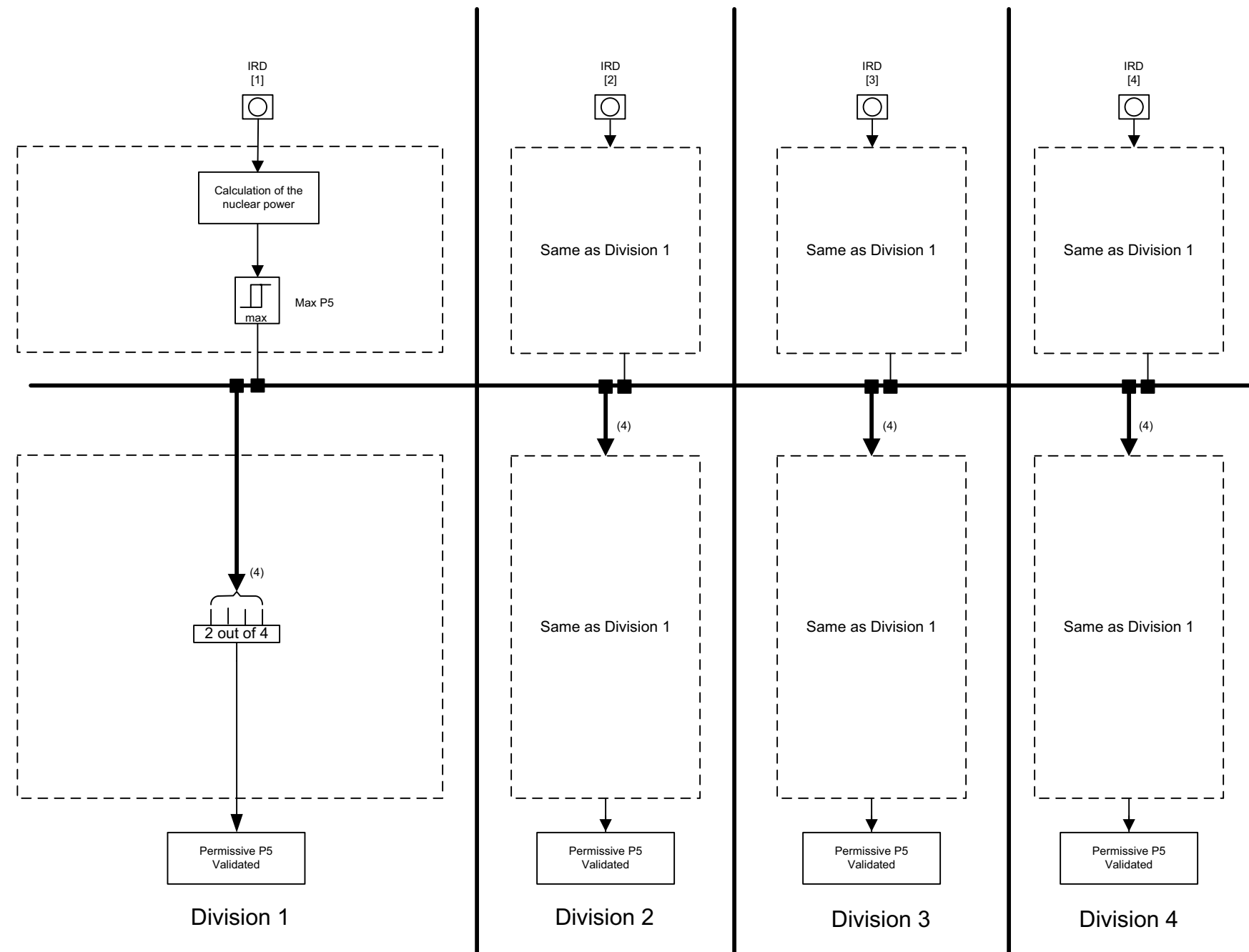
EPR3225 T2

Figure 7.2-26—P3 Permissive Logic



EPR3230 T2

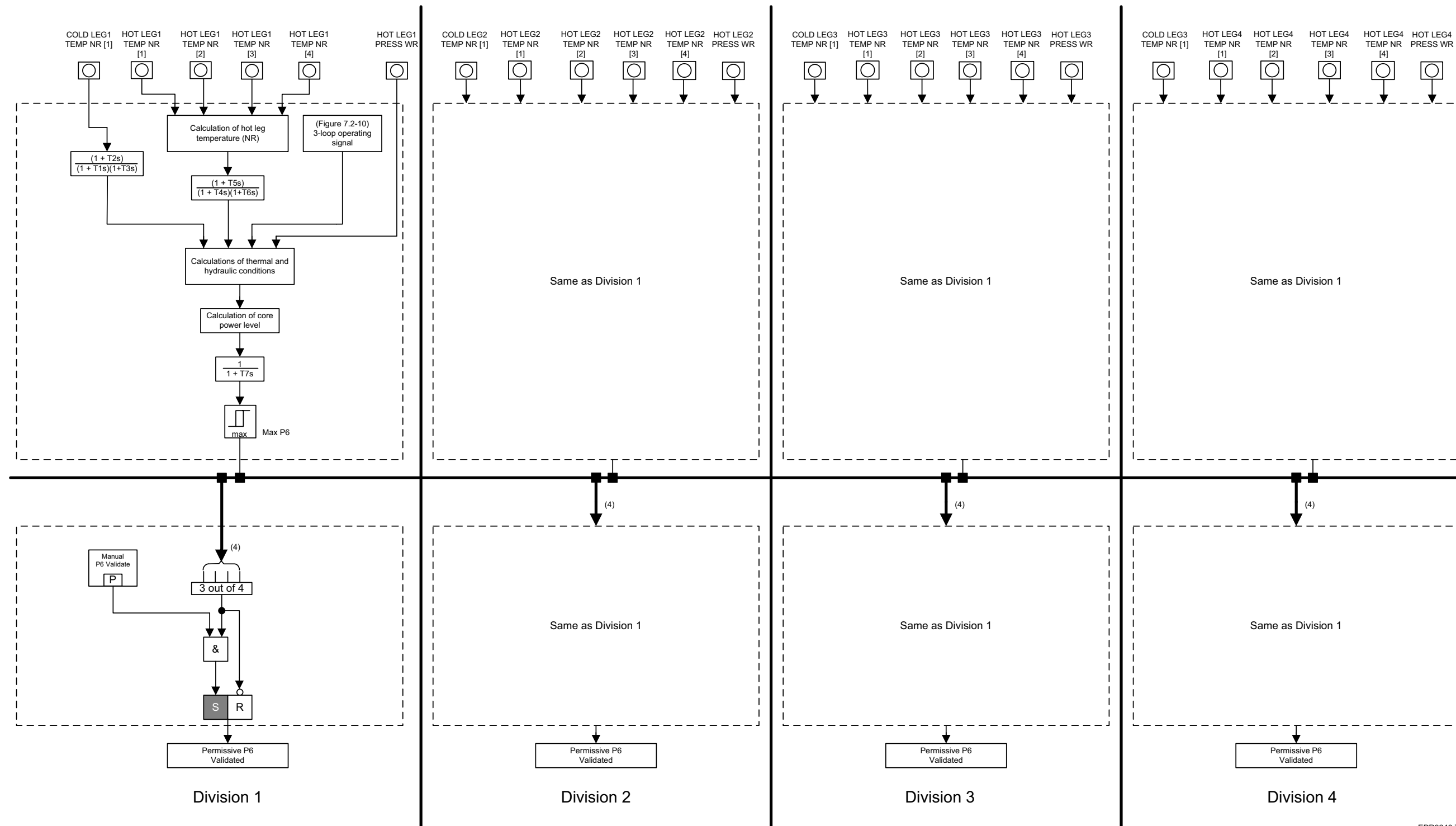
Figure 7.2-27—P5 Permissive Logic



EPR3235 T2



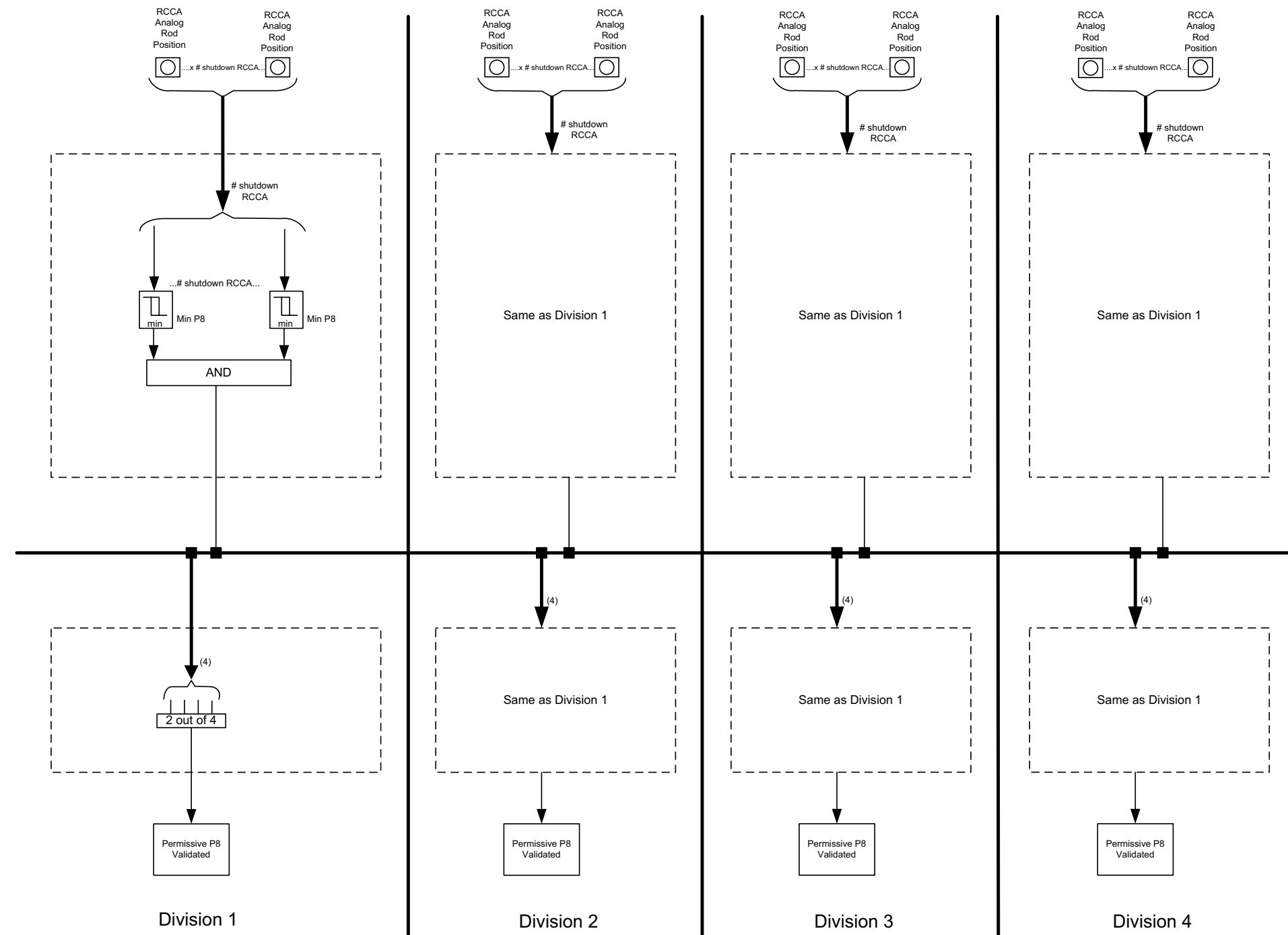
Figure 7.2-28—P6 Permissive Logic



EPR3240 T2

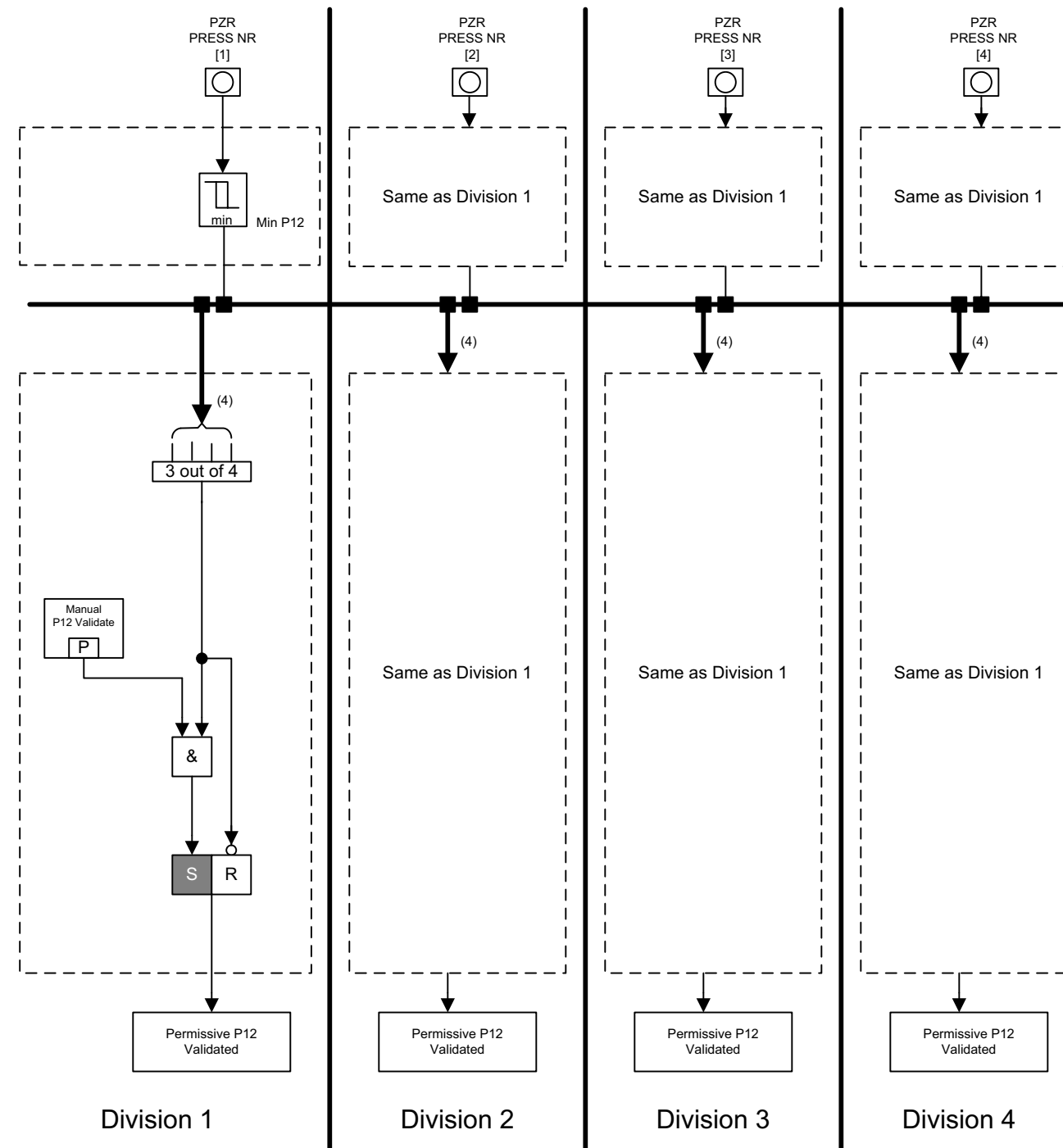
Figure 7.2-29—Deleted

Figure 7.2-30—P8 Permissive Logic



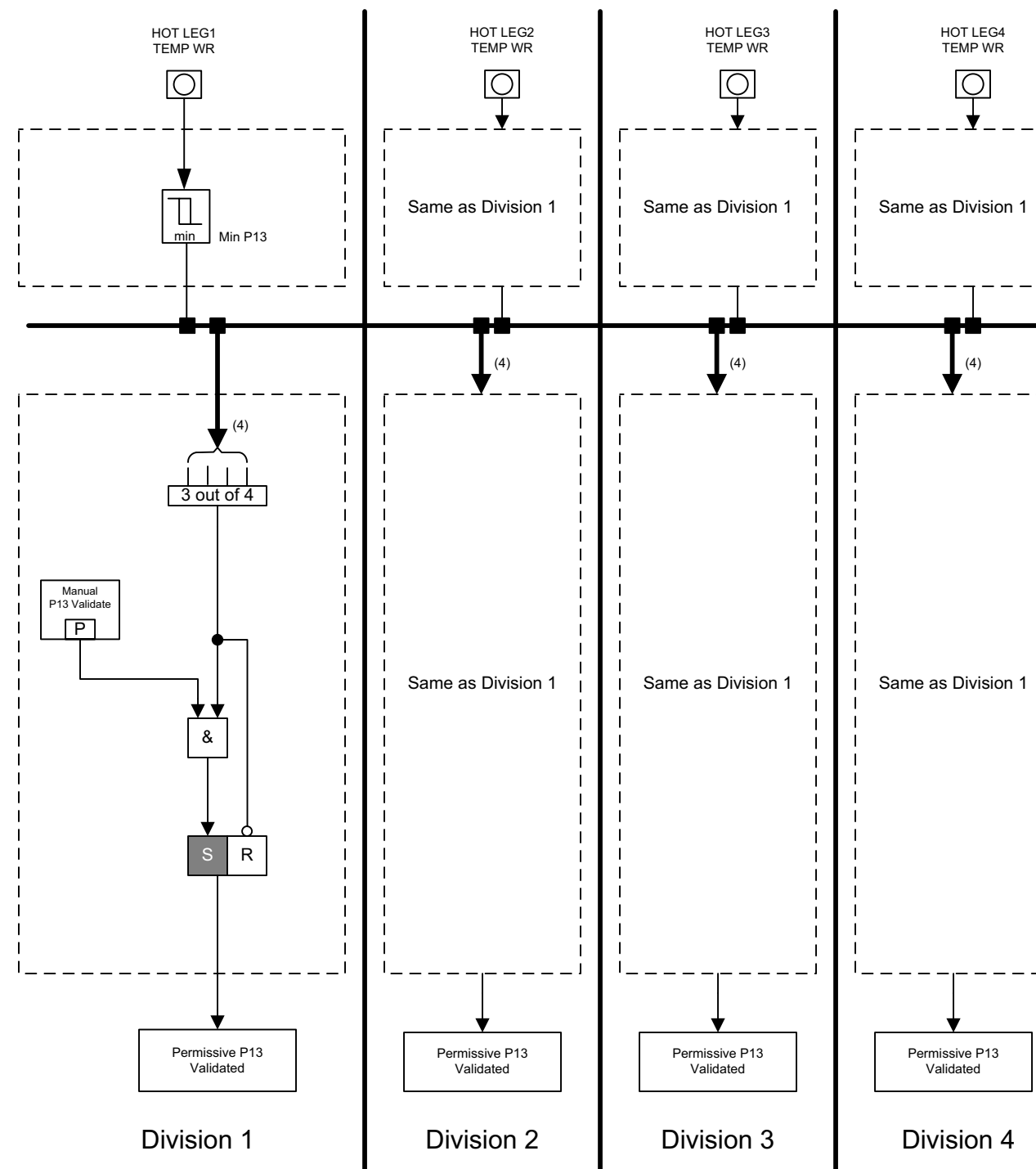
REV 003  
EPR3250 T2

Figure 7.2-31—P12 Permissive Logic



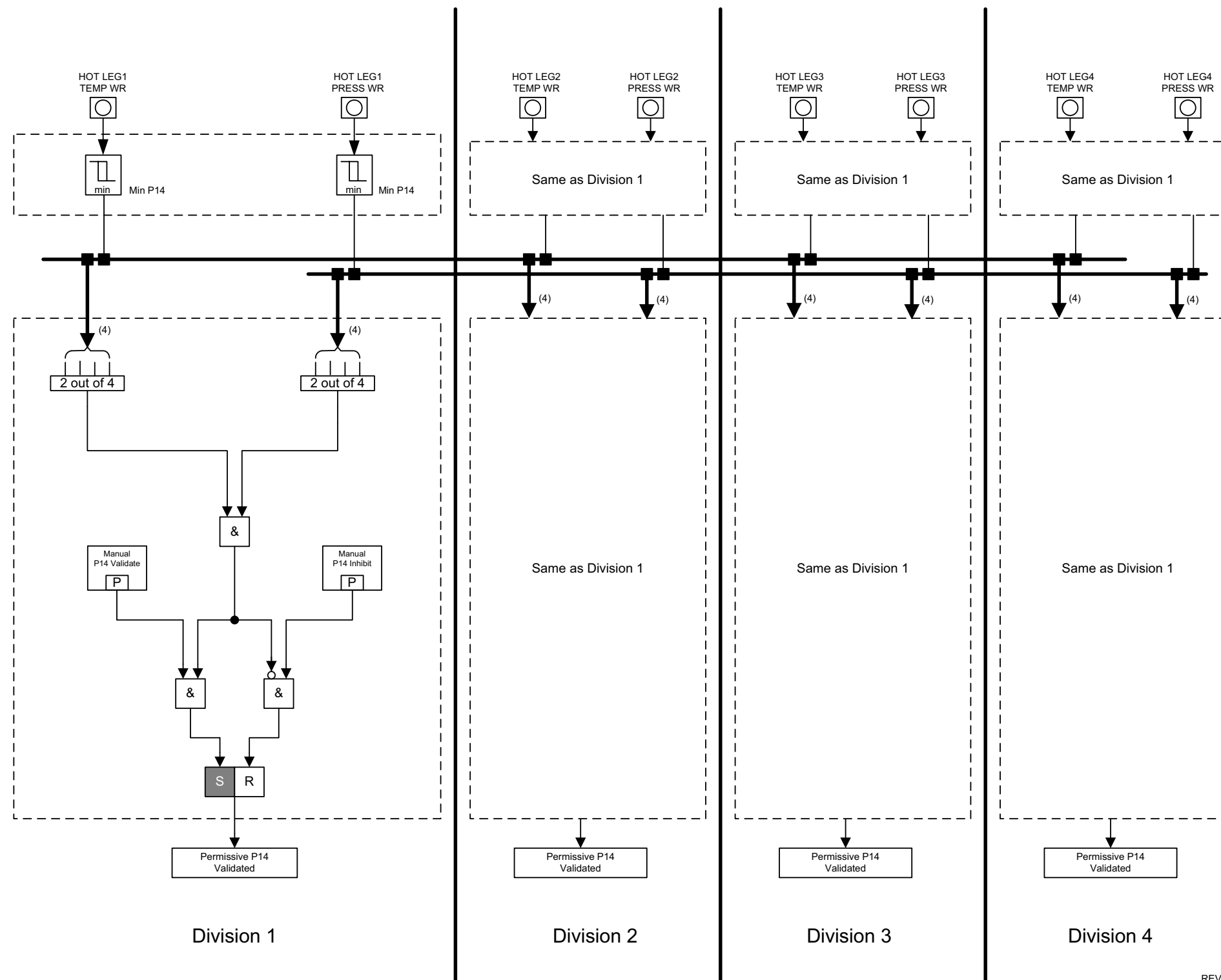
EPR3255 T2

Figure 7.2-32—P13 Permissive Logic



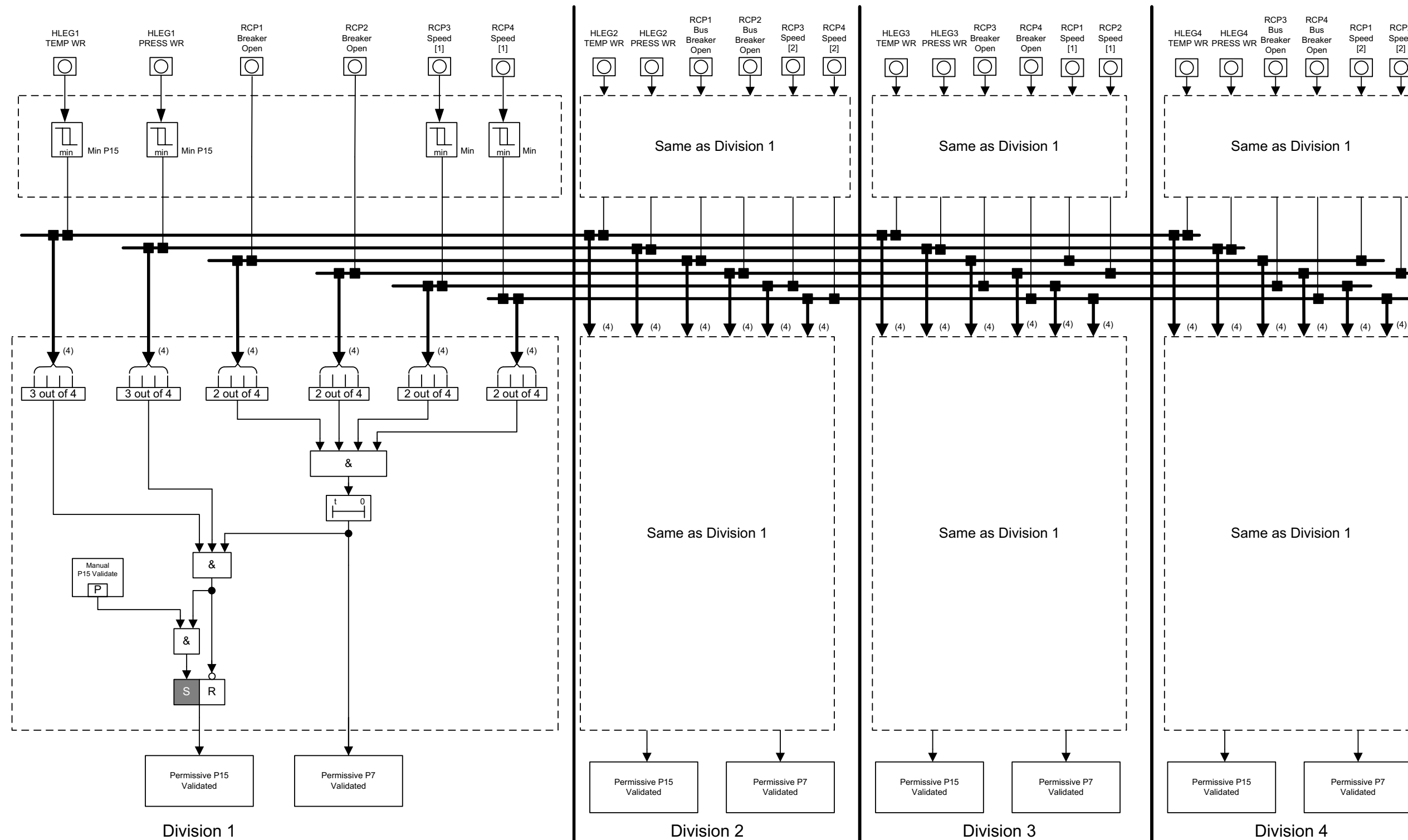
EPR3260 T2

Figure 7.2-33—P14 Permissive Logic



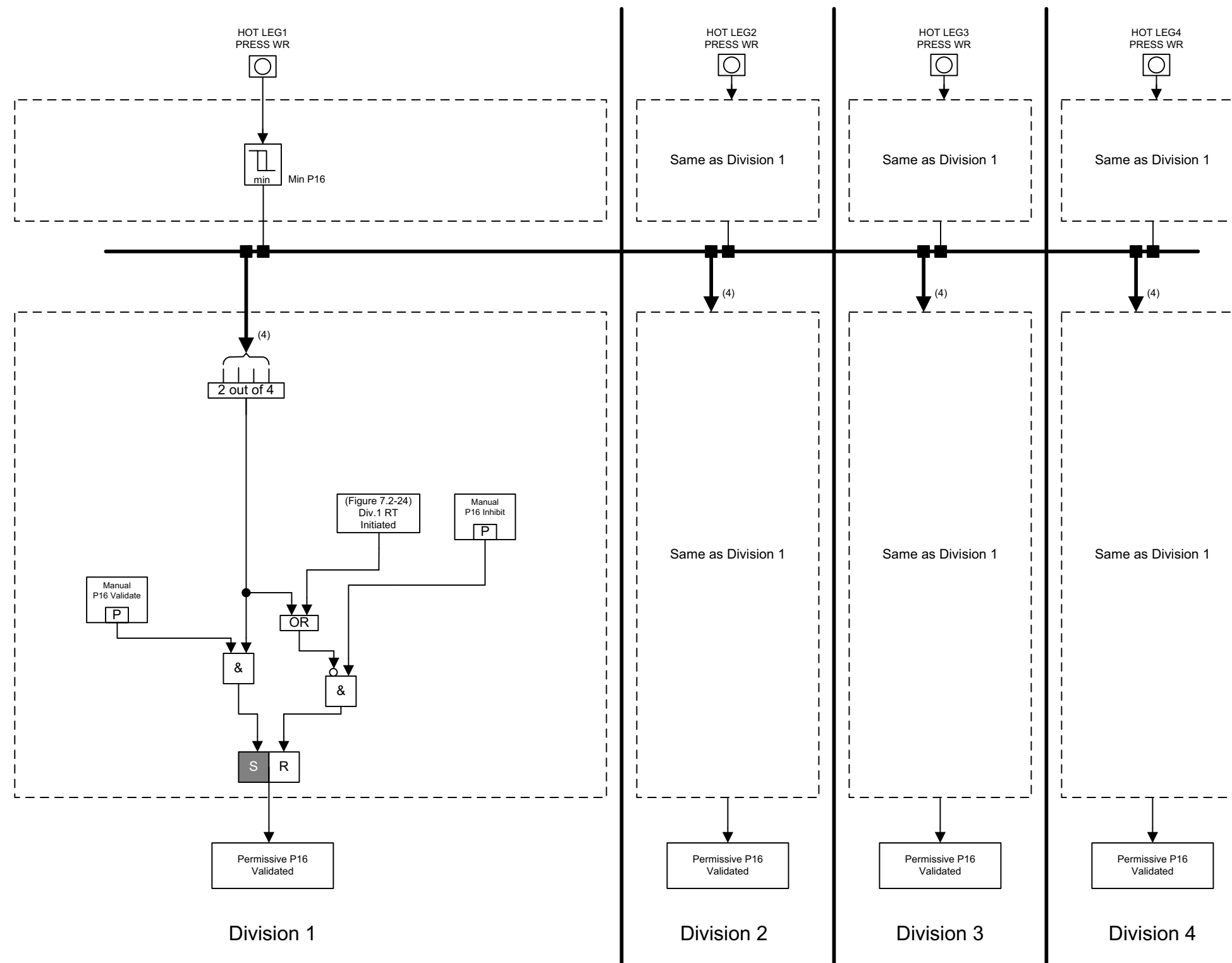
REV 002  
EPR3265 T2

Figure 7.2-34—P15 and P7 Permissive Logic



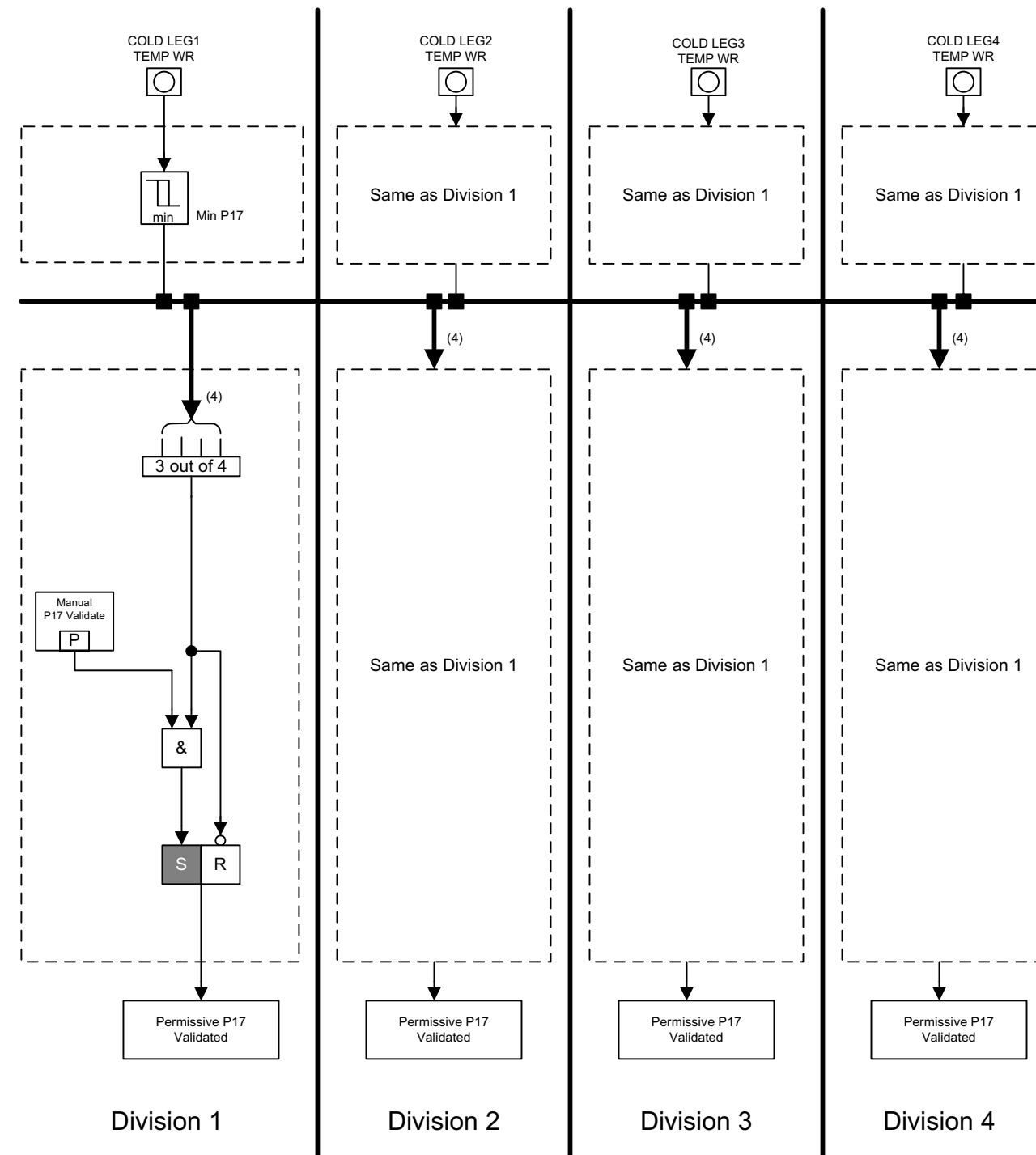
REV 003  
EPR3270 T2

Figure 7.2-35—P16 Permissive Logic



REV 003  
EPR3275 T2

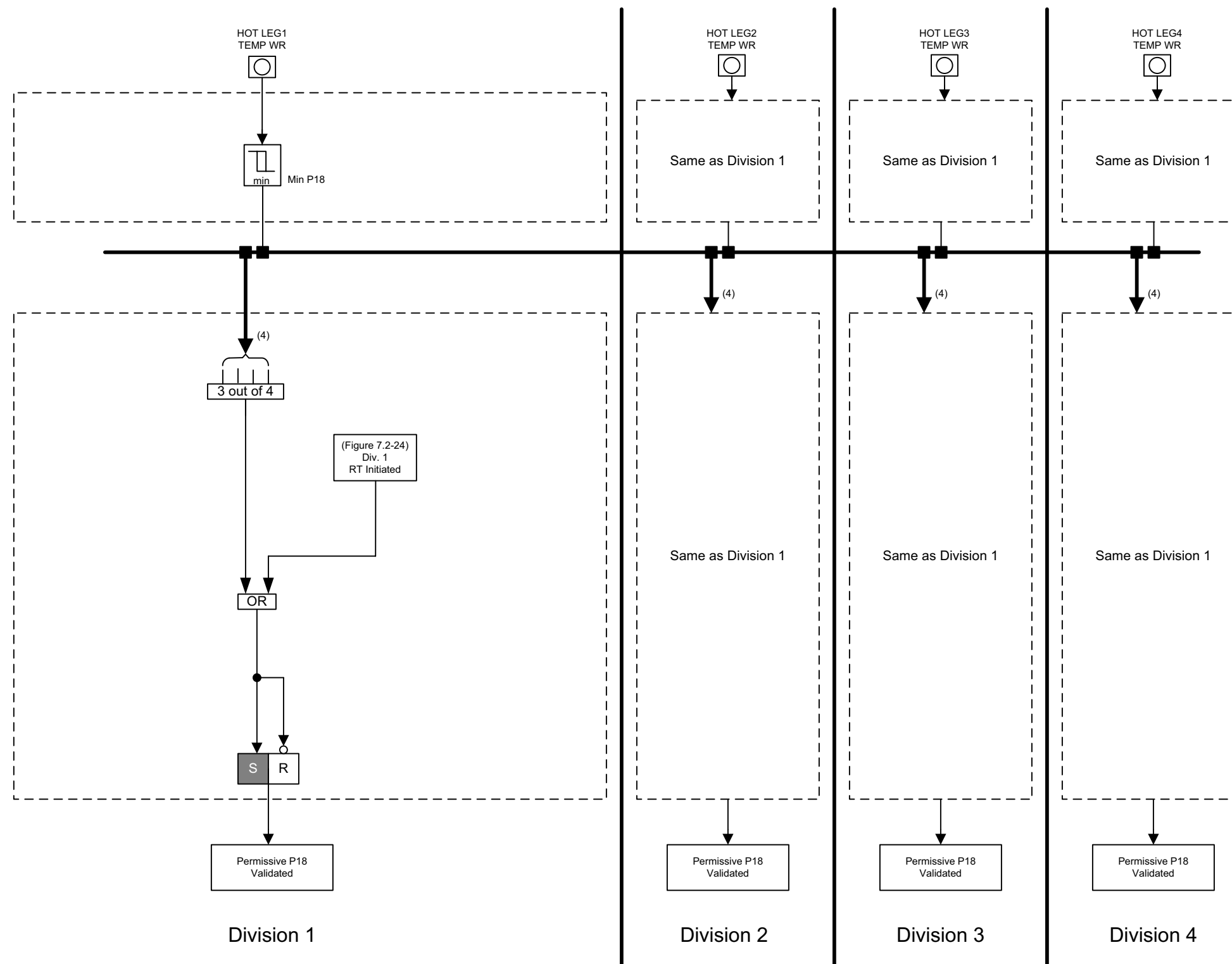
Figure 7.2-36—P17 Permissive Logic



EPR3280 T2



Figure 7.2-37—P18 Permissive Logic



REV 003  
EPR3281 T2

[Next File](#)