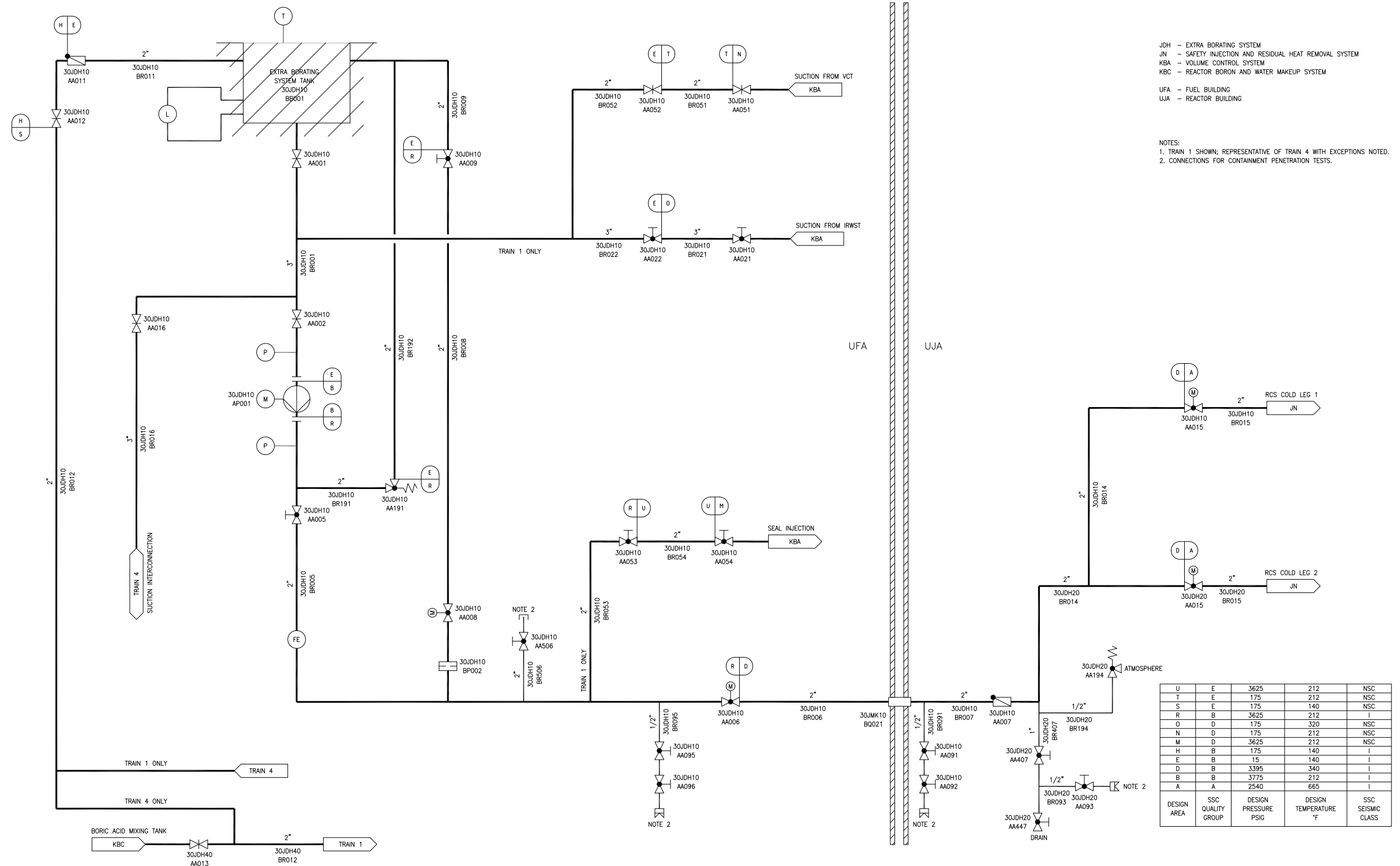


Figure 6.8-1—Extra Borating System



U	E	3625	212	NSC
T	E	175	212	NSC
S	E	175	140	NSC
R	B	3625	212	I
O	D	175	320	NSC
N	D	175	212	NSC
M	D	3625	212	NSC
H	B	175	140	I
E	B	15	140	I
D	B	3395	340	I
B	B	3775	212	I
A	A	2540	665	I
DESIGN AREA	SSC QUALITY GROUP	DESIGN PRESSURE PSIG	DESIGN TEMPERATURE °F	SSC SEISMIC CLASS

REV 005  
JDH01T2