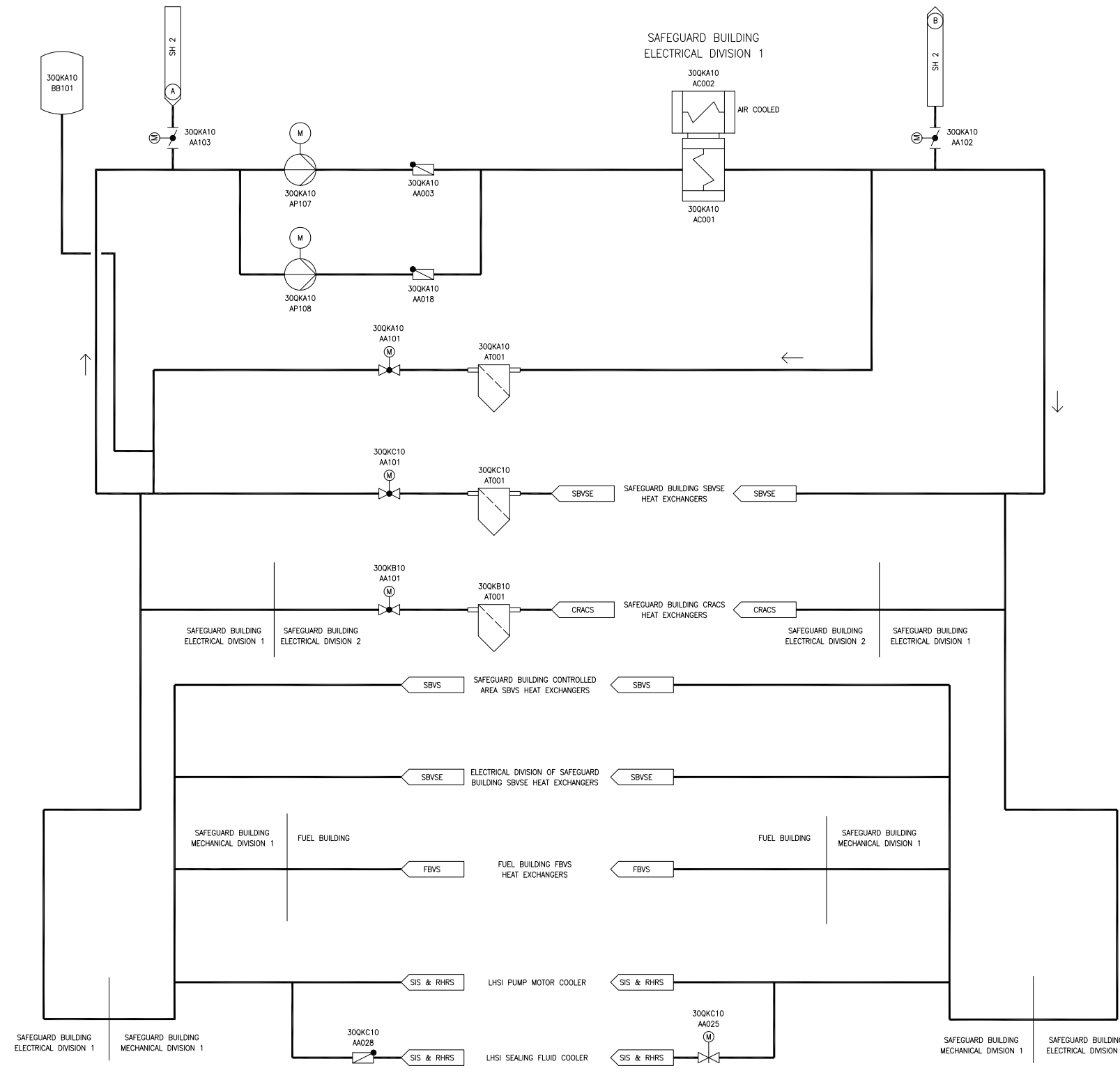


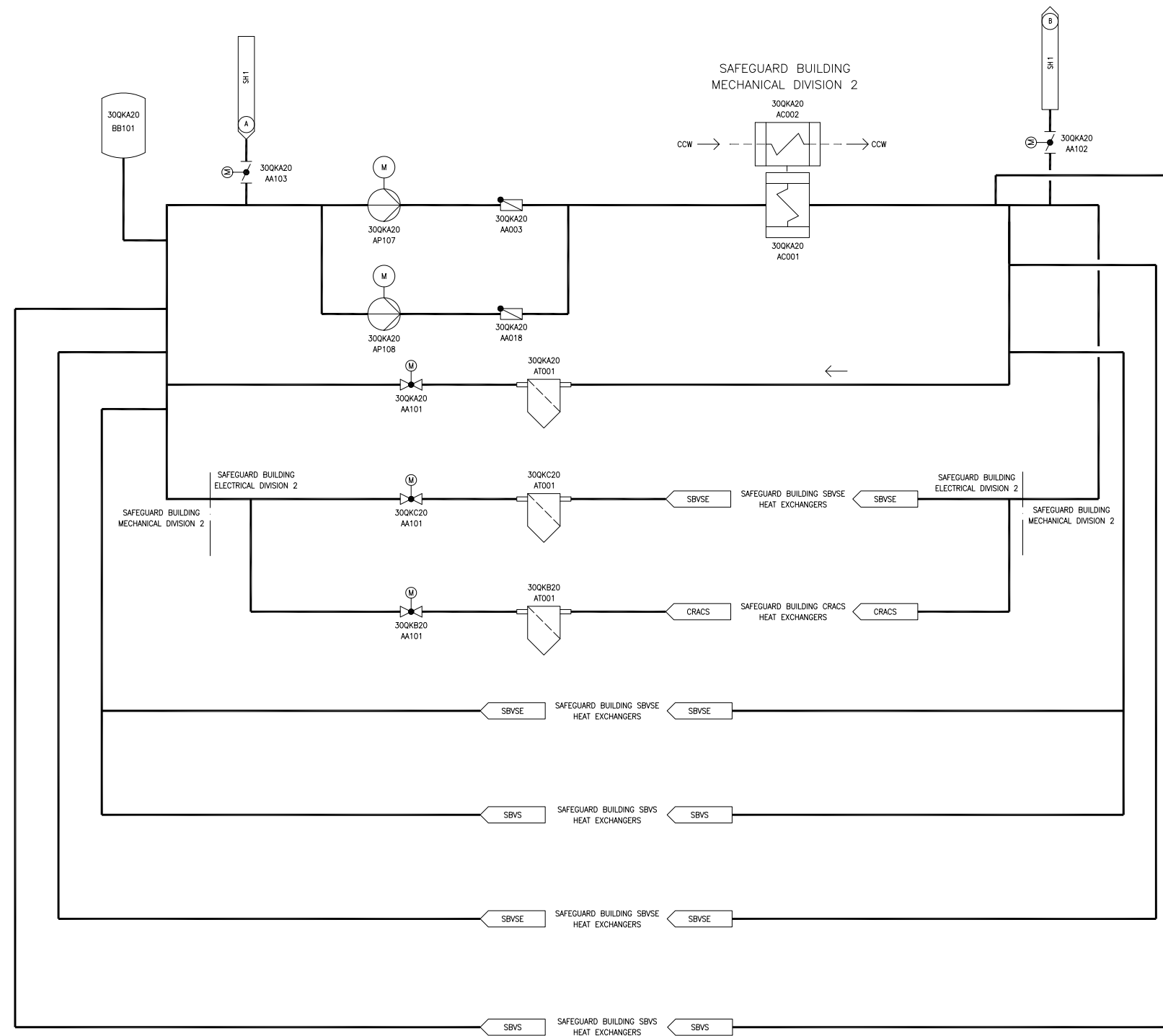
Figure 2.7.2-1—Safety Chilled Water System Functional Arrangement
Sheet 1 of 4



3	3	1
DESIGN AREA	ASME III CLASS	SSC SEISMIC CLASS

REV 003
QKA01T1

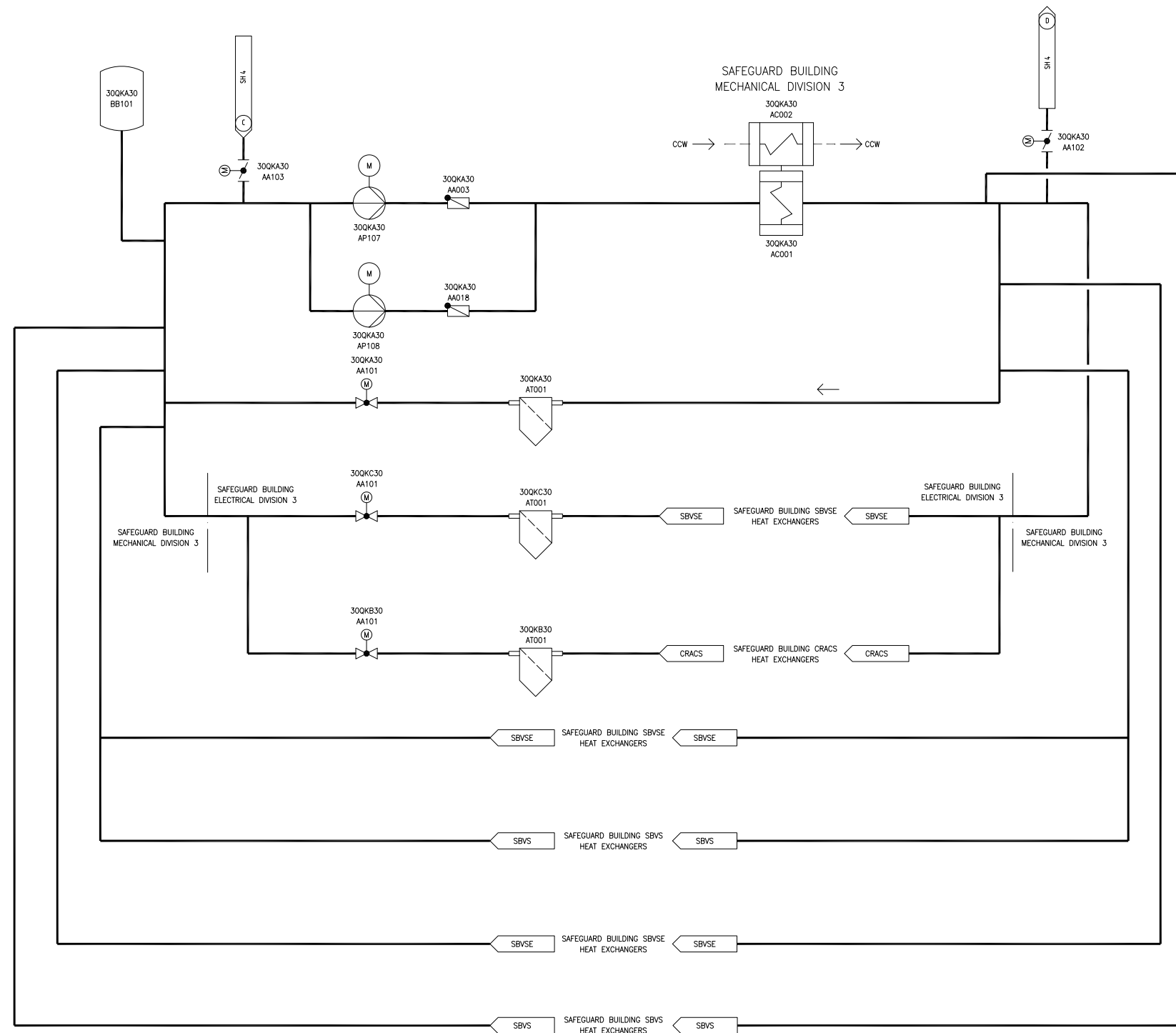
Figure 2.7.2-1—Safety Chilled Water System Functional Arrangement
Sheet 2 of 4



3	3	1
DESIGN AREA	ASME III CLASS	SSC SEISMIC CLASS

REV 003
QKA02T1

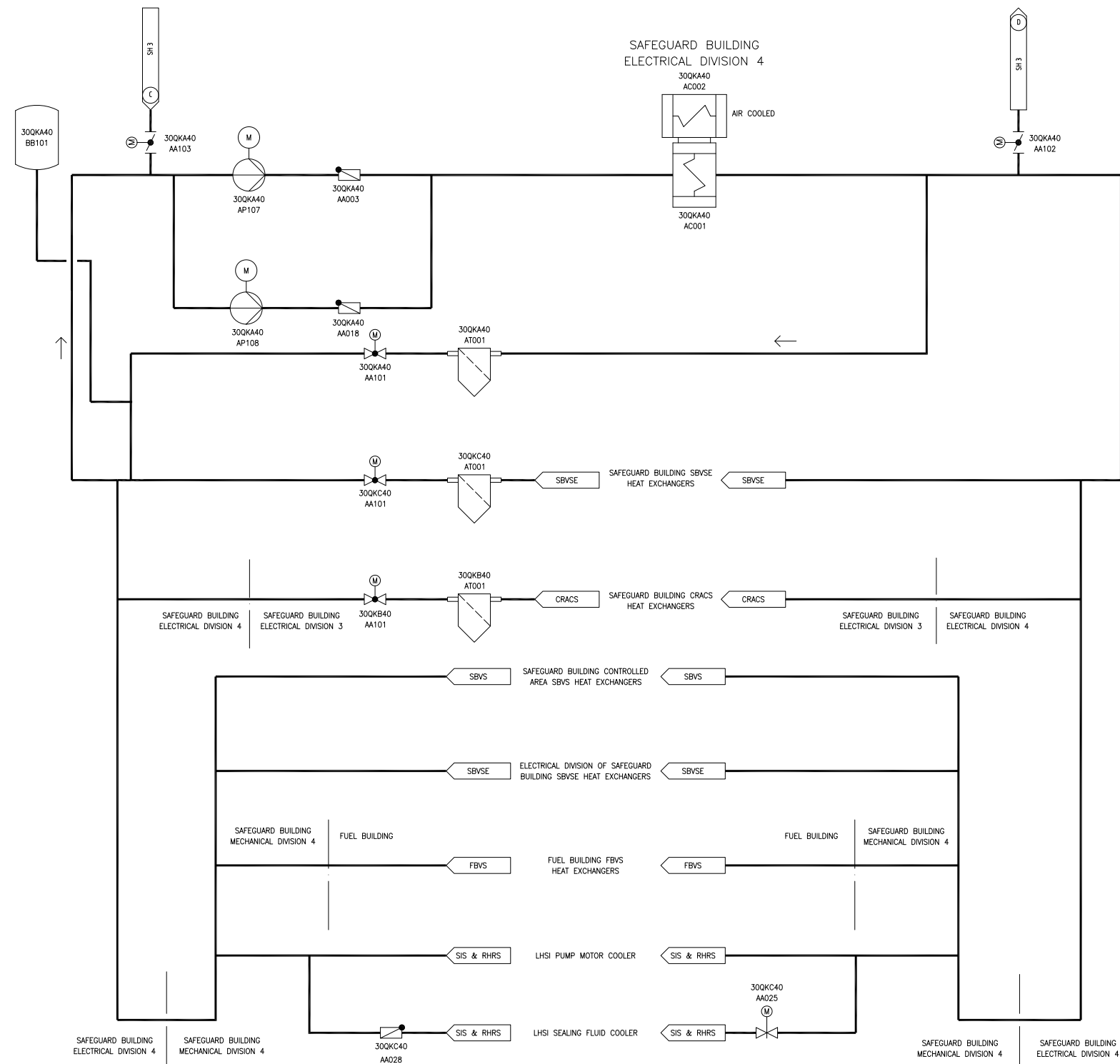
Figure 2.7.2-1—Safety Chilled Water System Functional Arrangement
Sheet 3 of 4



3	3	1
DESIGN AREA	ASME III CLASS	SSC SEISMIC CLASS

REV 003
QKA03T1

Figure 2.7.2-1—Safety Chilled Water System Functional Arrangement
Sheet 4 of 4



3	3	1
DESIGN AREA	ASME III CLASS	SSC SEISMIC CLASS

REV 003
QKA04T1

Figure 2.7.2-2—Safety Chilled Water System Air Cooled Division Functional Arrangement
Sheet 1 of 2

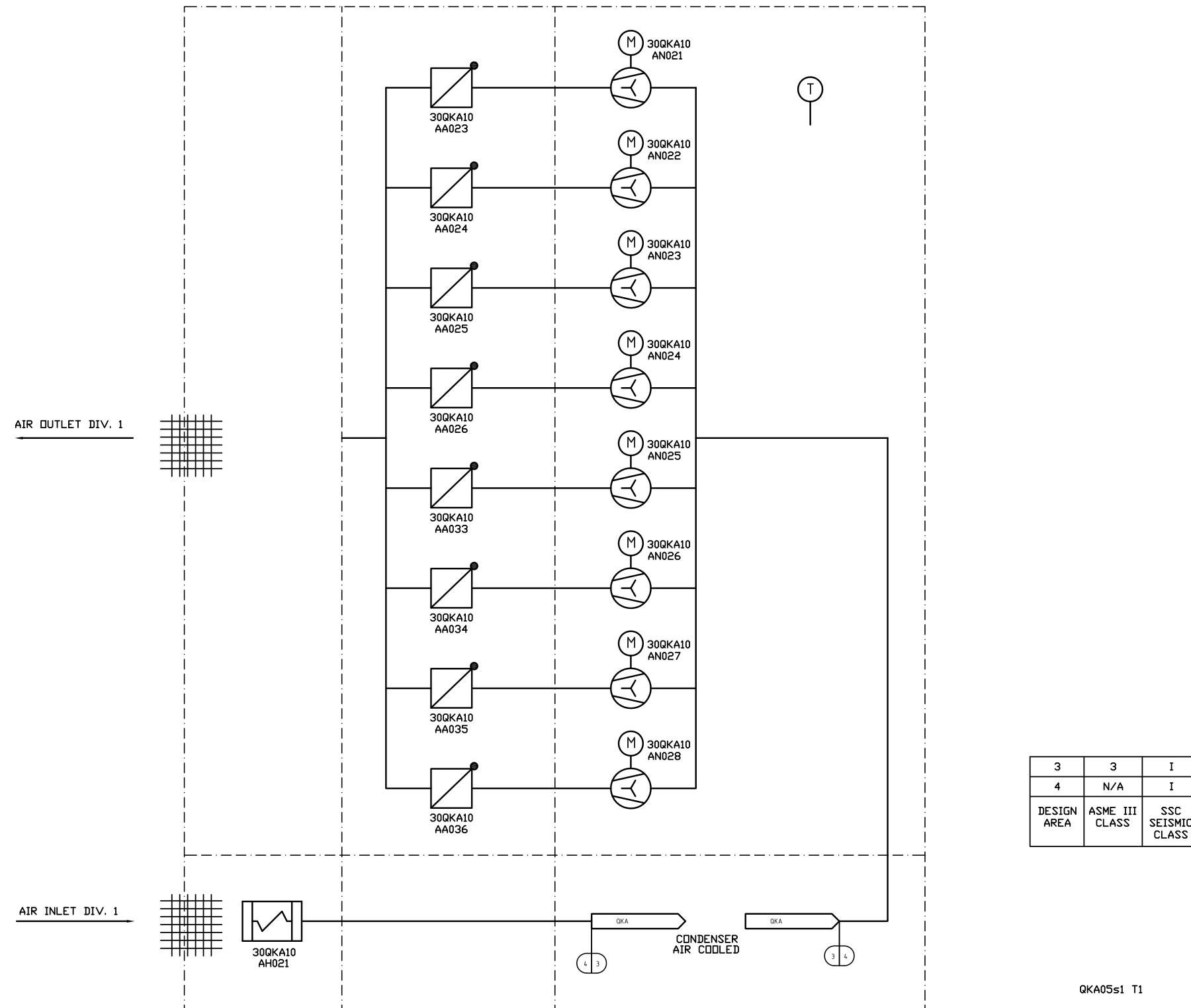


Figure 2.7.2-2—Safety Chilled Water System Air Cooled Division Functional Arrangement
Sheet 2 of 2

