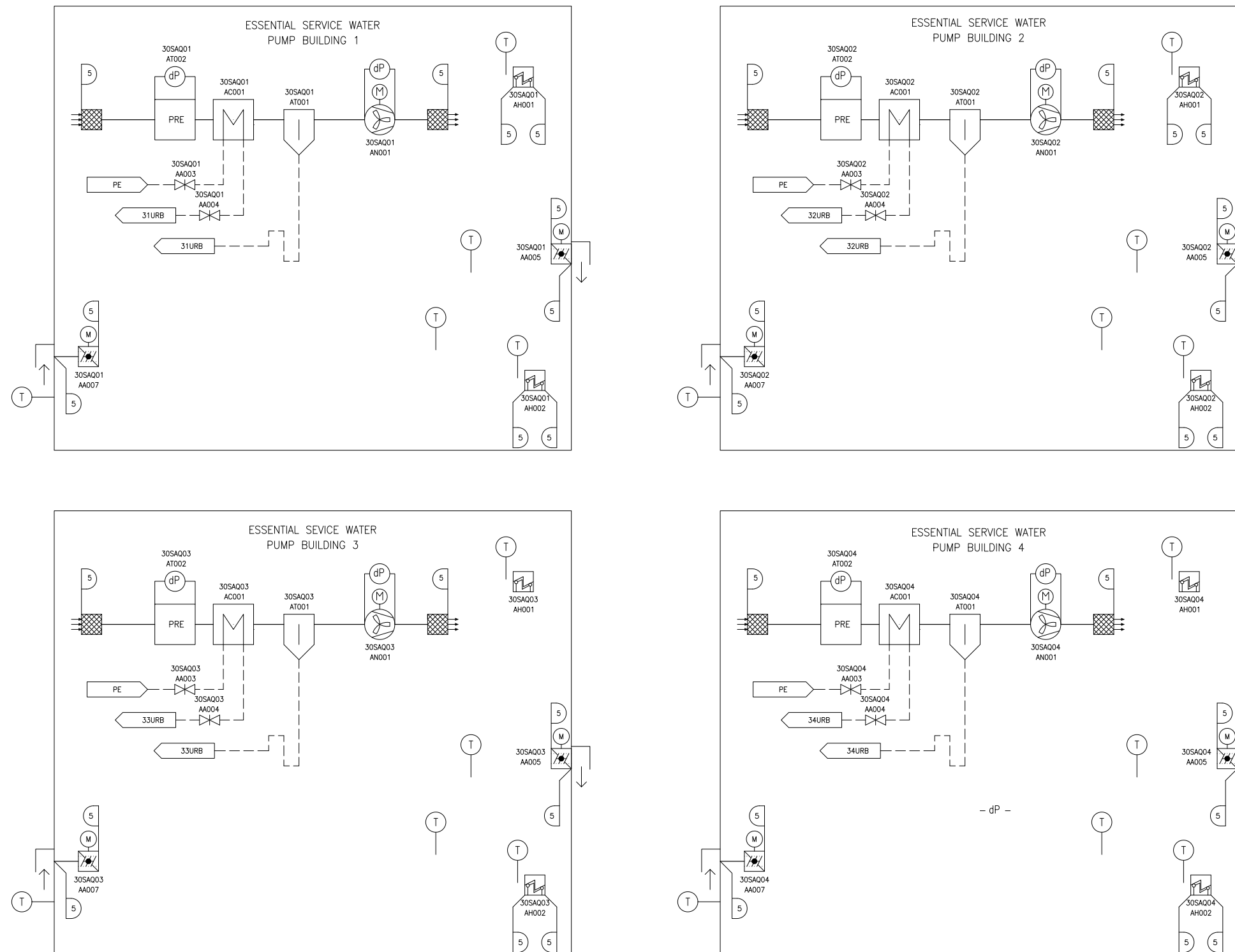


Figure 2.6.13-1—Essential Service Water Pump Building Ventilation System Functional Arrangement



5	AG-1	I
DESIGN AREA	ASME	SSC SEISMIC CLASS

REV 005  
SAQ01T1