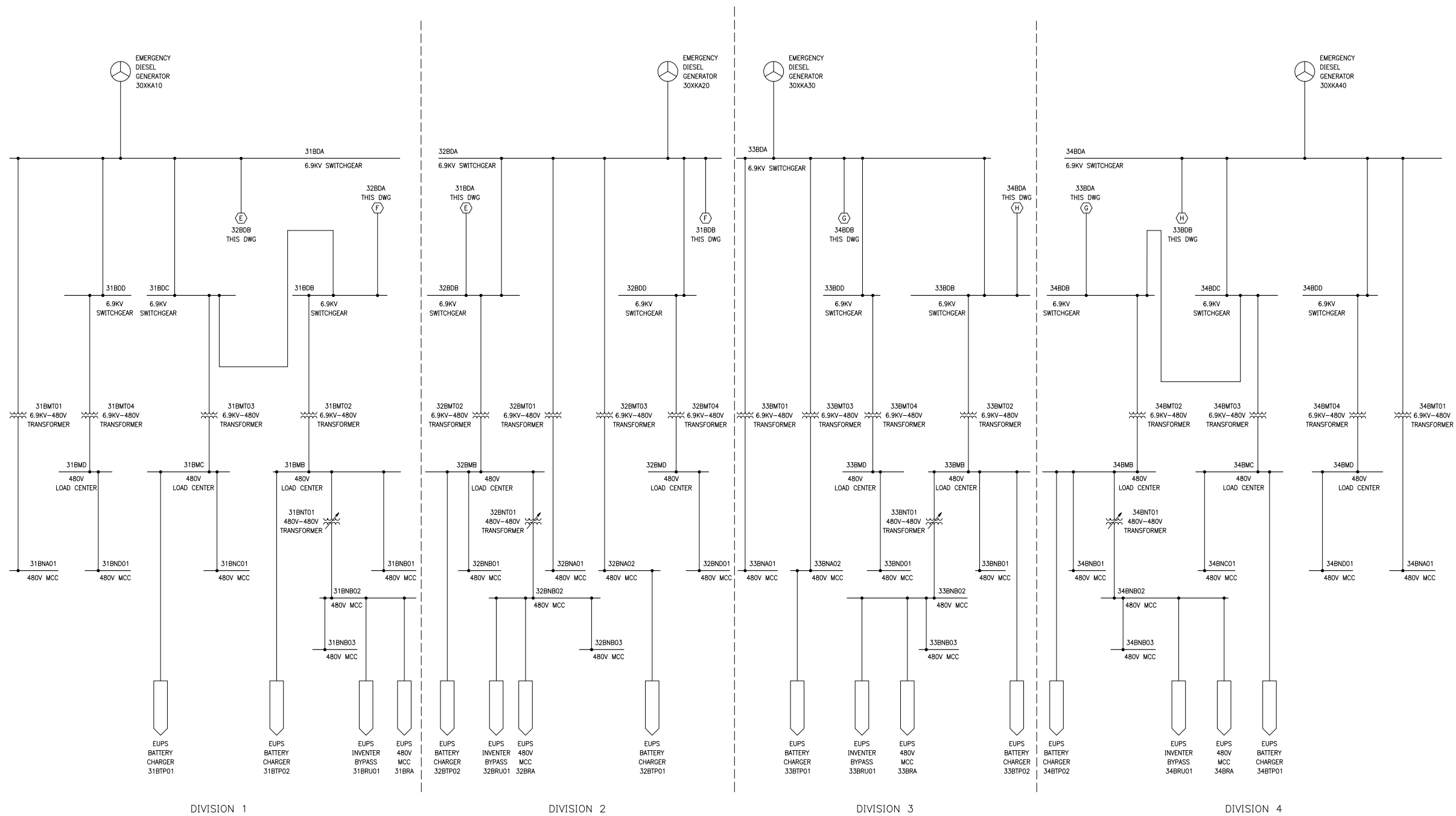


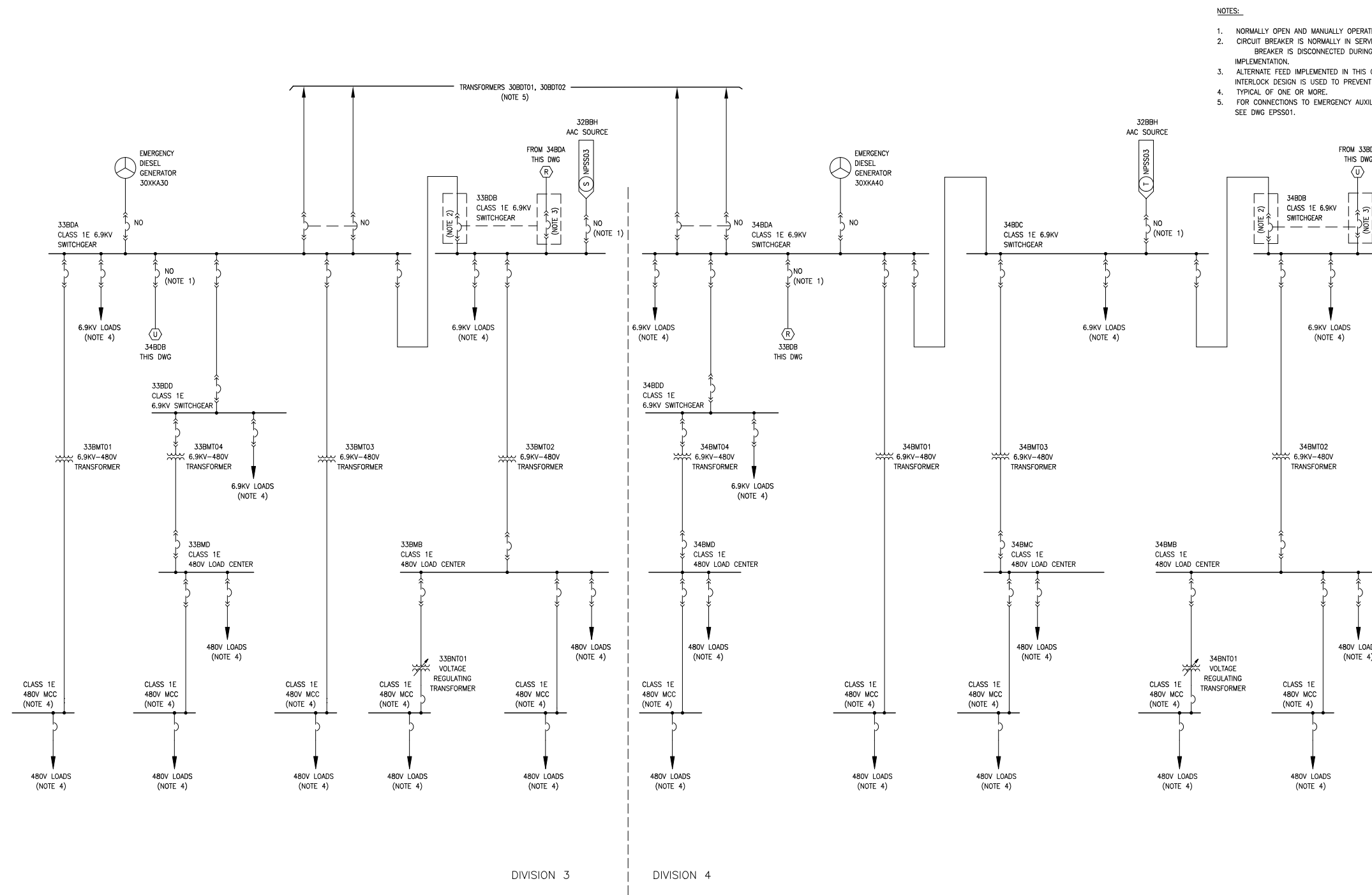
Figure 2.5.1-1—Emergency Power Supply System Functional Arrangement
Sheet 1 of 2



- NOTES:
- EQUIPMENT TAG NUMBERS ARE PROVIDED FOR INFORMATION ONLY AND ARE NOT PART OF CERTIFIED DESIGN.
 - EUPS: CLASS 1E UNINTERRUPTIBLE POWER SUPPLY.

REV 005
EPSS01T1

Figure 2.5.1-1—Emergency Power Supply System Functional Arrangement
Sheet 2 of 2



- NOTES:
1. NORMALLY OPEN AND MANUALLY OPERATED BREAKER.
 2. CIRCUIT BREAKER IS NORMALLY IN SERVICE AS SHOWN. BREAKER IS DISCONNECTED DURING ALTERNATE FEED IMPLEMENTATION.
 3. ALTERNATE FEED IMPLEMENTED IN THIS CUBICLE. AN INTERLOCK DESIGN IS USED TO PREVENT PARALLEL FEEDS TO A BUS. TYPICAL OF ONE OR MORE.
 4. FOR CONNECTIONS TO EMERGENCY AUXILIARY TRANSFORMERS SEE DWG EPSS01.

REV 002