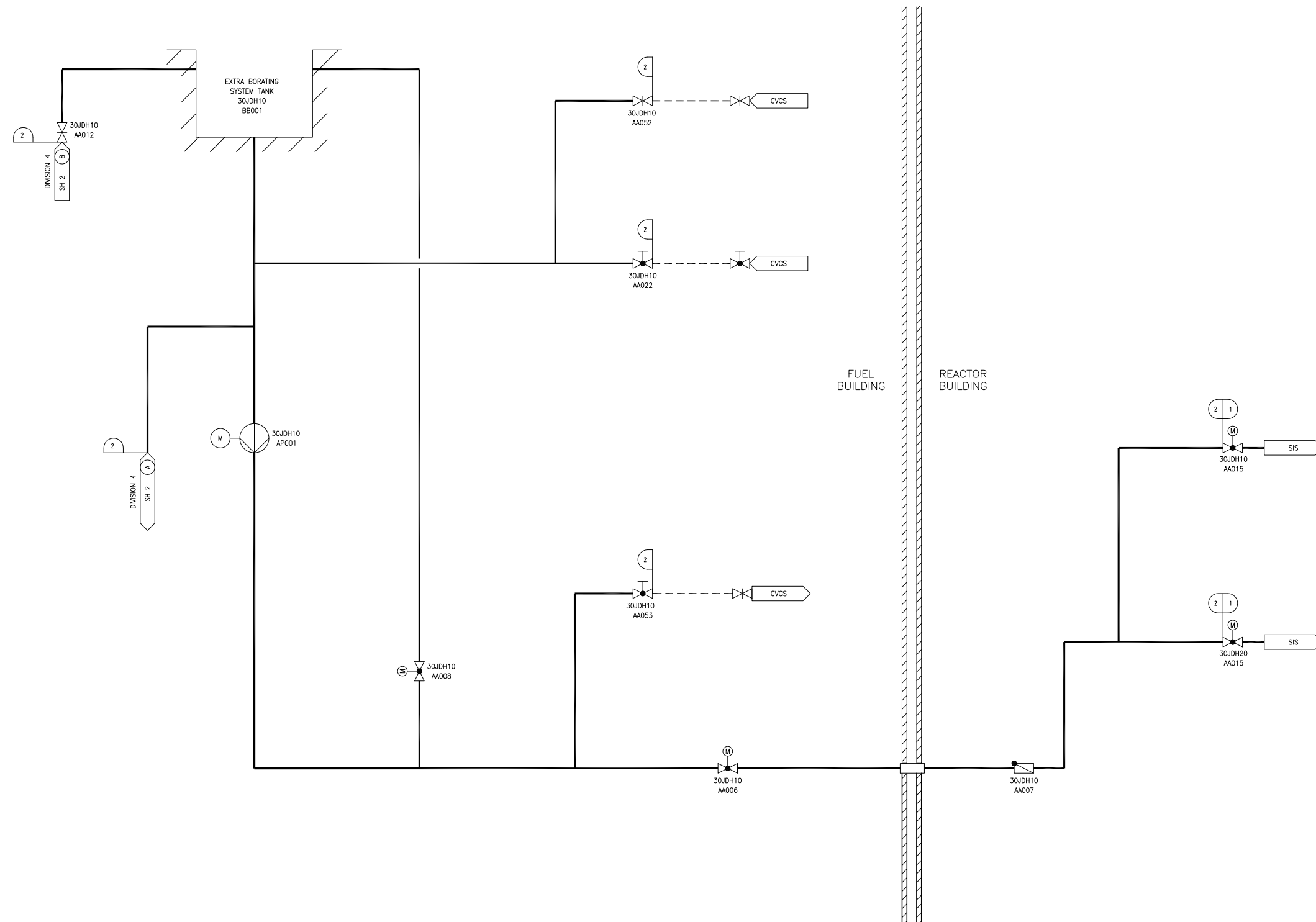


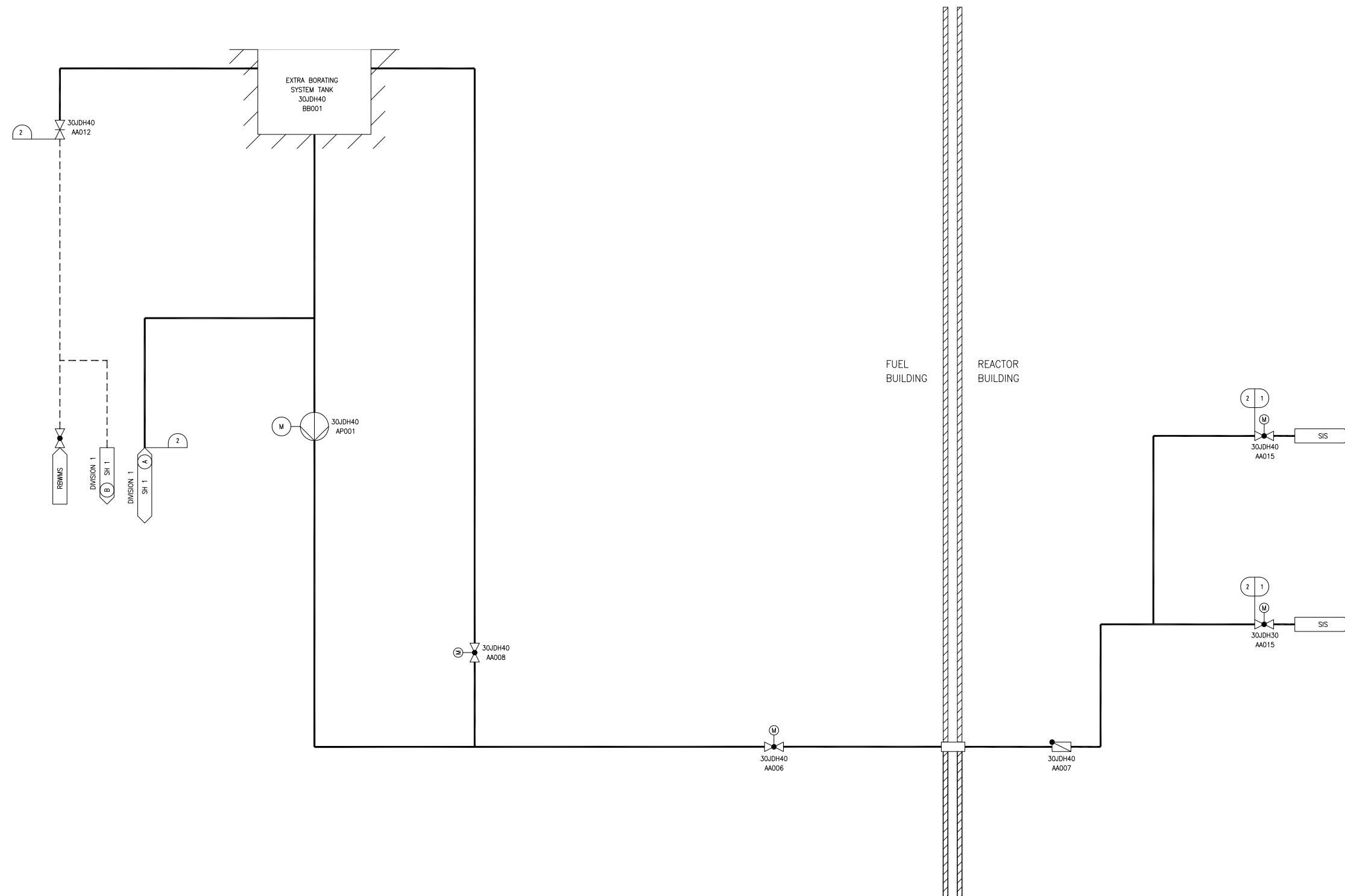
Figure 2.2.7-1—Extra Borating System Functional Arrangement  
Sheet 1 of 2



2	2	1
1	1	1
DESIGN AREA	ASME III CLASS	SSC SEISMIC CLASS

REV 005  
JDH01T1

Figure 2.2.7-1—Extra Borating System Functional Arrangement  
Sheet 2 of 2



2	2	1
1	1	1
DESIGN AREA	ASME III CLASS	SSC SEISMIC CLASS

REV 005  
JDH02T1