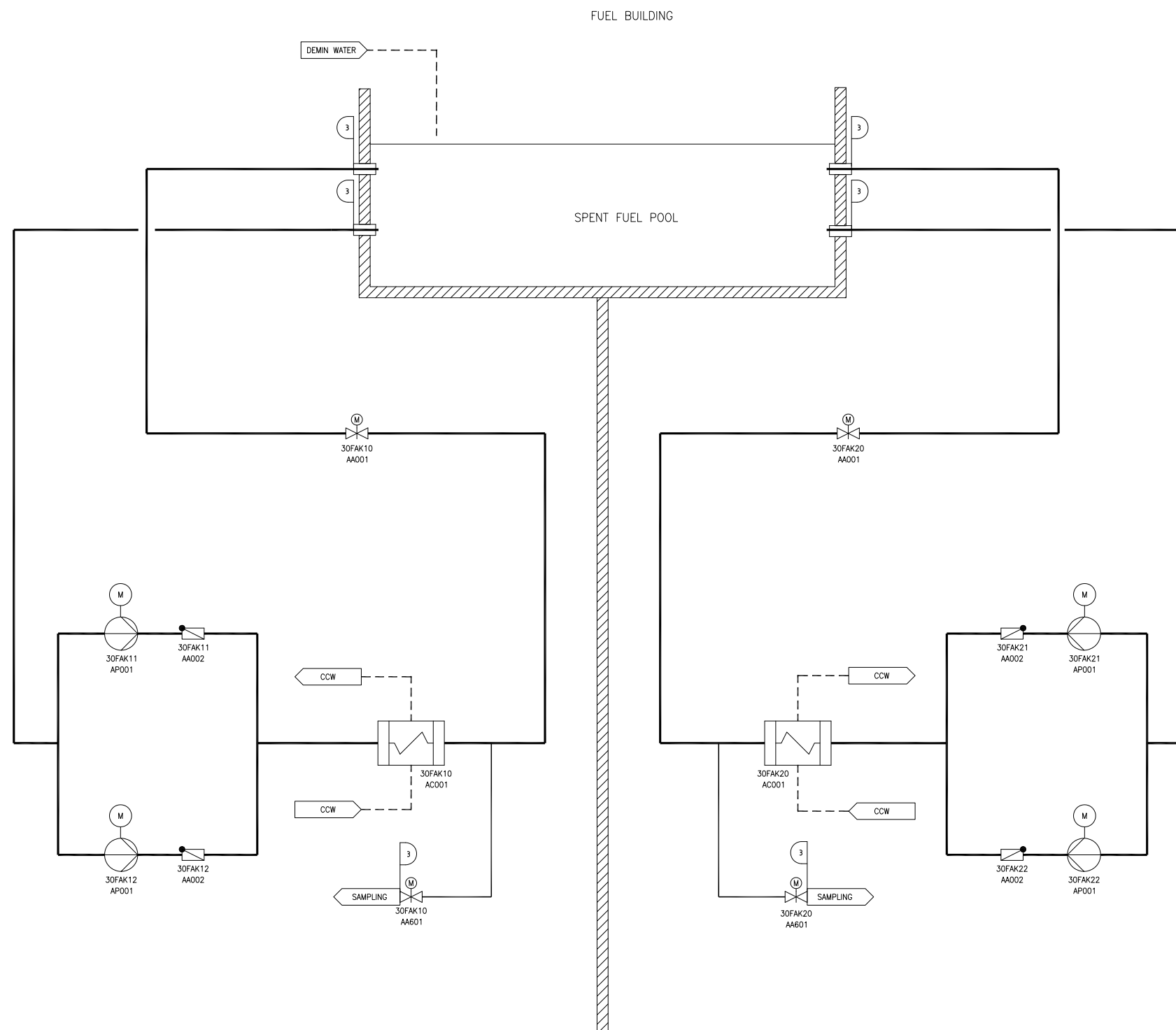


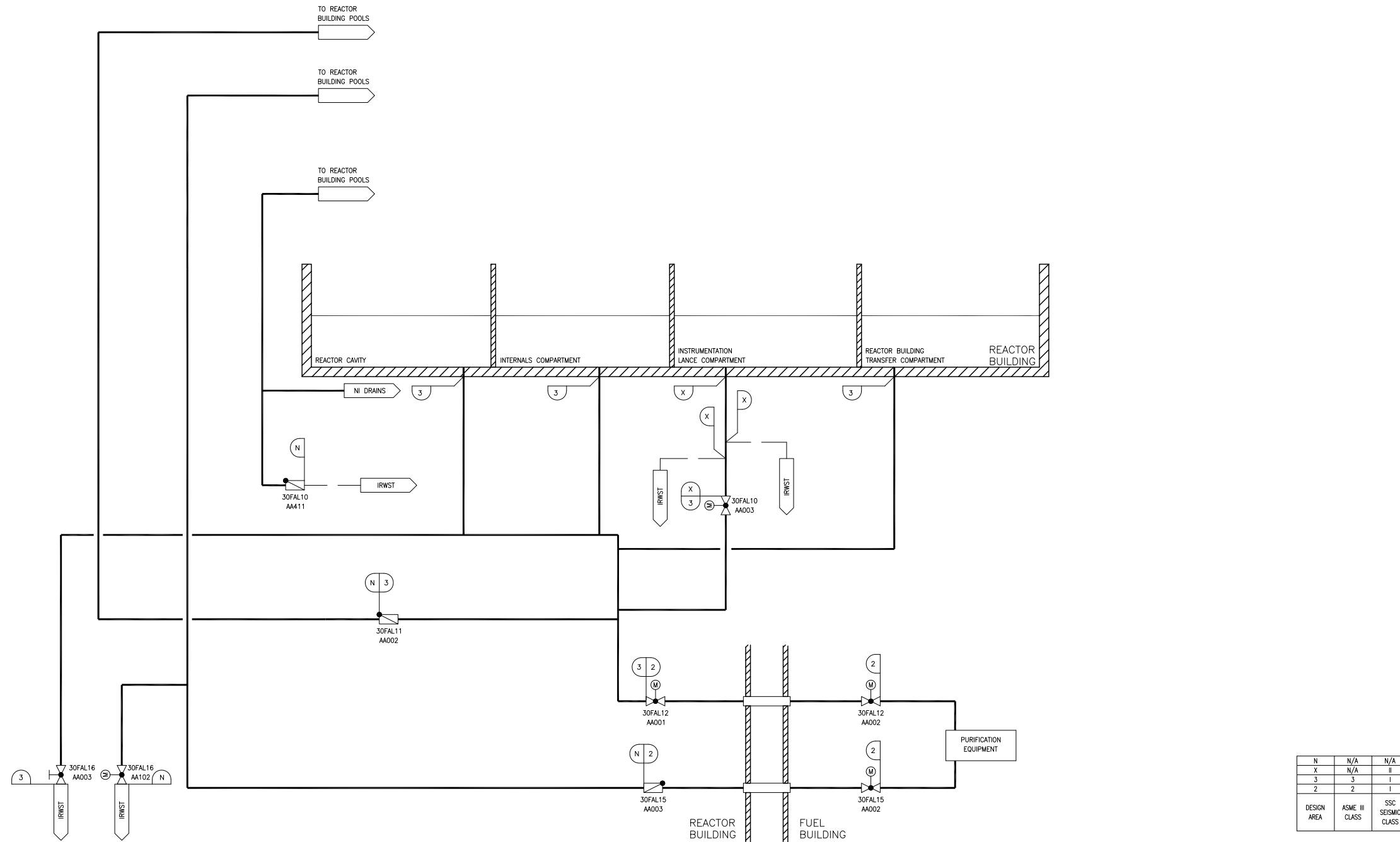
Figure 2.2.5-1—Fuel Pool Cooling and Purification System Functional Arrangement
Sheet 1 of 3



3	3	1
DESIGN AREA	ASME III CLASS	SSC SEISMIC CLASS

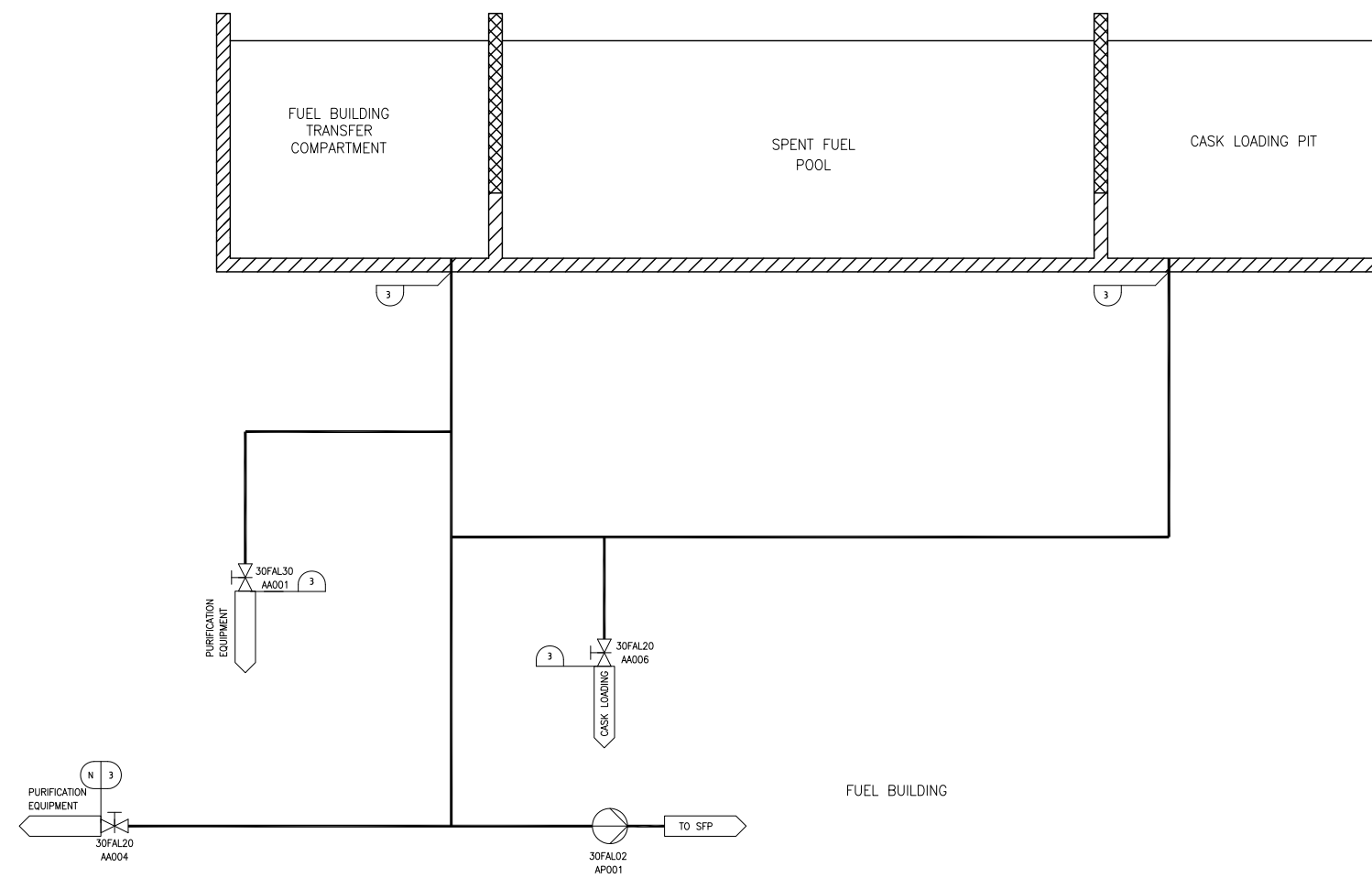
REV 005
FAK01 T1

Figure 2.2.5-1—Fuel Pool Cooling and Purification System Functional Arrangement
Sheet 2 of 3



REV 003
FAL01T1

Figure 2.2.5-1—Fuel Pool Cooling and Purification System Functional Arrangement
Sheet 3 of 3



N	N/A	N/A
3	3	1
DESIGN AREA	ASME III CLASS	SSC SEISMIC CLASS

REV 003
FAL02T1