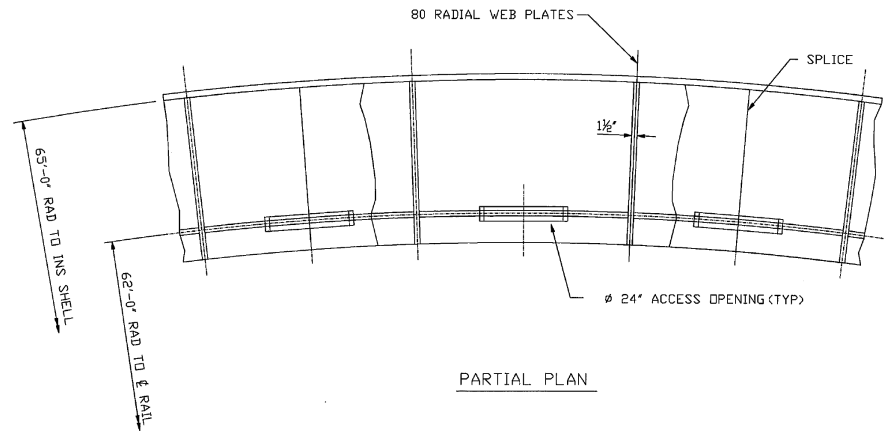
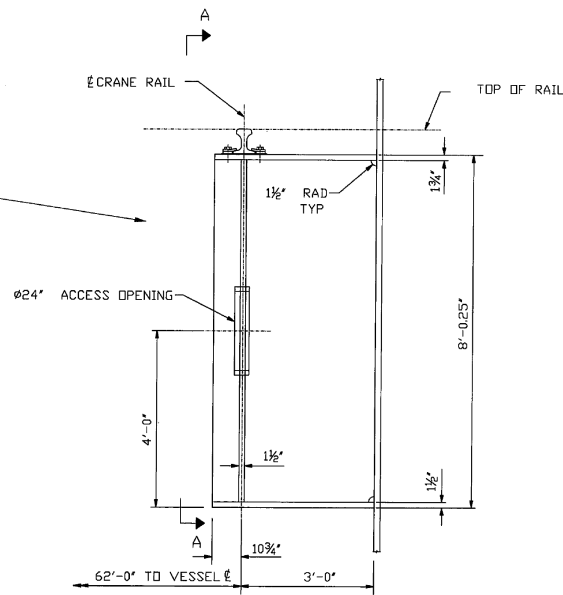
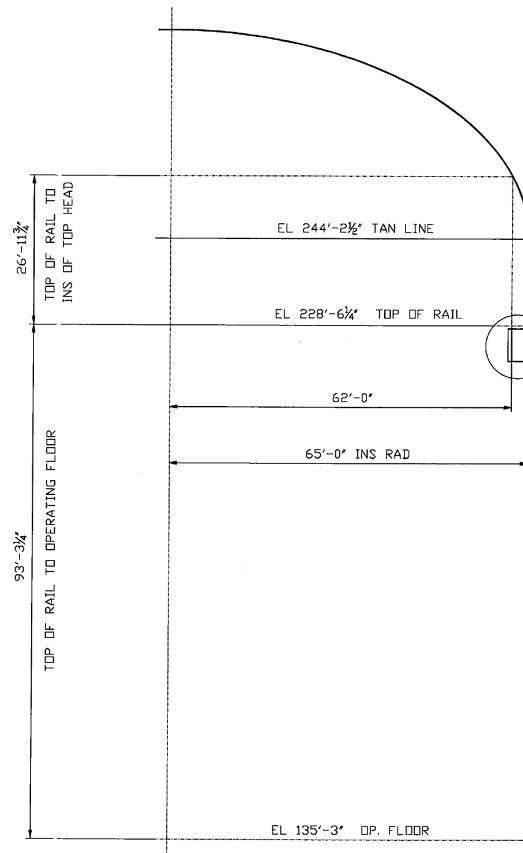


SECTION A-A



PARTIAL PLAN



Duke Energy Florida
 Levy Nuclear Plant
 Units 1 and 2
 Part 2, Final Safety Analysis Report

Containment Vessel General Outline

FIGURE 3.8-201