

July 22, 2013

MEMORANDUM TO: Anthony Hsia, Deputy Director
Division of Spent Fuel Storage and Transportation
Office of Nuclear Material Safety
and Safeguards

FROM: Huda Akhavannik, Project Manager **/RA/**
Licensing Branch
Division of Spent Fuel Storage and Transportation
Office of Nuclear Material Safety
and Safeguards

SUBJECT: SUMMARY OF JULY 10, 2013, PRE-APPLICATION MEETING
WITH AREVA FEDERAL SERVICES, LLC, REGARDING
AMENDMENT REQUEST FOR TRUPACT-III
TRANSPORTATION PACKAGE

Background.

On July 10, 2013, a pre-application meeting was held in Rockville, Maryland, at the request of AREVA Federal Services, LLC (AFS) to discuss their amendment request to be submitted to the Nuclear Regulatory Commission at the end of July.

The meeting was noticed on June 24, 2013 [ML13175A322]. AFS participated in the meeting via telephone. The list of meeting attendees, including those participating via telephone, is provided as Enclosure 1. The meeting handouts are provided as Enclosures 2.

Discussion.

The primary purpose of the meeting was to discuss the TRUPACT-III transportation package amendment to modify the debris shield holder. AFS explained that one of the units in their fleet of TRUPACT-III transportation packages did not have the holder centered. Though it still meets the licensing drawing requirements, the unit undergoes heavy use and so the holder that should only need to be replaced annually was being replaced more frequently. To minimize the cost and time it takes for replacements, AFS provided sketches (Enclosure 2) of two other configurations for the debris shield holder. AFS went through these configurations and described the changes that would be made on the licensing drawings. The main difference between the two new proposed configurations is that one has the holder more grinded down. AFS plans to submit their amendment application by the end of July 2013.

Docket No. 71-9305

TAC No. L24759

Enclosures:

1. Meeting Attendees
2. TRUPACT-III Sketch Options

July 22, 2013

MEMORANDUM TO: Anthony Hsia, Deputy Director
Division of Spent Fuel Storage and Transportation
Office of Nuclear Material Safety
and Safeguards

FROM: Huda Akhavannik, Project Manager **/RA/**
Licensing Branch
Division of Spent Fuel Storage and Transportation
Office of Nuclear Material Safety
and Safeguards

SUBJECT: SUMMARY OF JULY 10, 2013, PRE-APPLICATION MEETING
WITH AREVA FEDERAL SERVICES, LLC, REGARDING
AMENDMENT REQUEST FOR TRUPACT-III
TRANSPORTATION PACKAGE

Background.

On July 10, 2013, a pre-application meeting was held in Rockville, Maryland, at the request of AREVA Federal Services, LLC (AFS) to discuss their amendment request to be submitted to the Nuclear Regulatory Commission at the end of July.

The meeting was noticed on June 24, 2013 [ML13175A322]. AFS participated in the meeting via telephone. The list of meeting attendees, including those participating via telephone, is provided as Enclosure 1. The meeting handouts are provided as Enclosures 2.

Discussion.

The primary purpose of the meeting was to discuss the TRUPACT-III transportation package amendment to modify the debris shield holder. AFS explained that one of the units in their fleet of TRUPACT-III transportation packages did not have the holder centered. Though it still meets the licensing drawing requirements, the unit undergoes heavy use and so the holder that should only need to be replaced annually was being replaced more frequently. To minimize the cost and time it takes for replacements, AFS provided sketches (Enclosure 2) of two other configurations for the debris shield holder. AFS went through these configurations and described the changes that would be made on the licensing drawings. The main difference between the two new proposed configurations is that one has the holder more grinded down. AFS plans to submit their amendment application by the end of July 2013.

Docket No. 71-9305

TAC No. L24759

Enclosures:

1. Meeting Attendees
2. TRUPACT-III Sketch Options

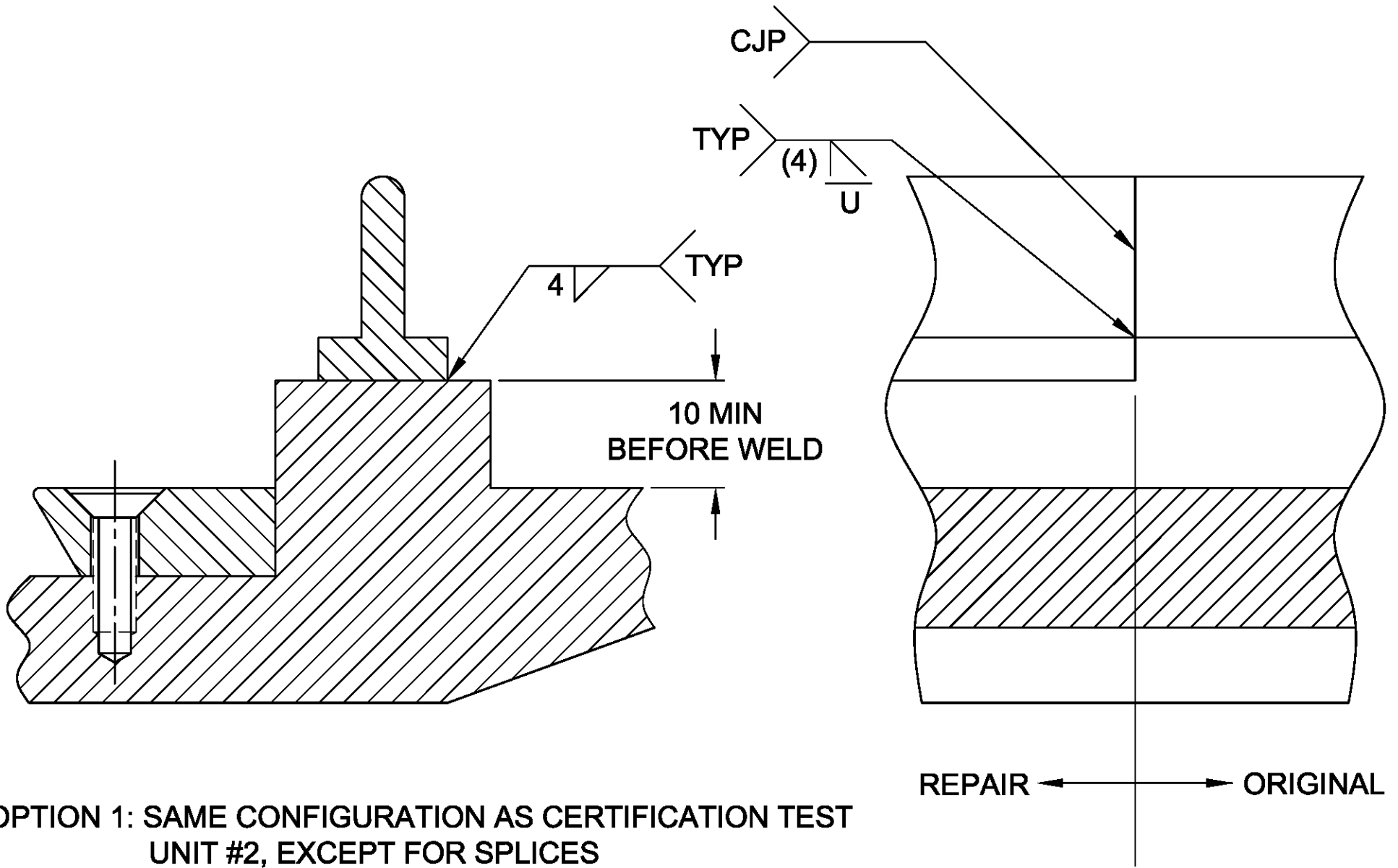
DISTRIBUTION: CLOSES TAC NO. L24759
SFST r/f NRC Attendees
G:\SFST\Akhavannik\TRUPACT-III\ 07102013 Public Meeting Summary.docx
G:\SFST\Akhavannik\ TRUPACT-III\ TRUPACT-III sketch options.pdf

OFF:	SFST	E	SFST	SFST		
NAME:	HAKhavannik	MDeBose	MSampson			
DATE:	7/12/2013	7/16/2013	7/22/2013			

C = COVER E = COVER & ENCLOSURE N = NO COPY OFFICIAL RECORD COPY

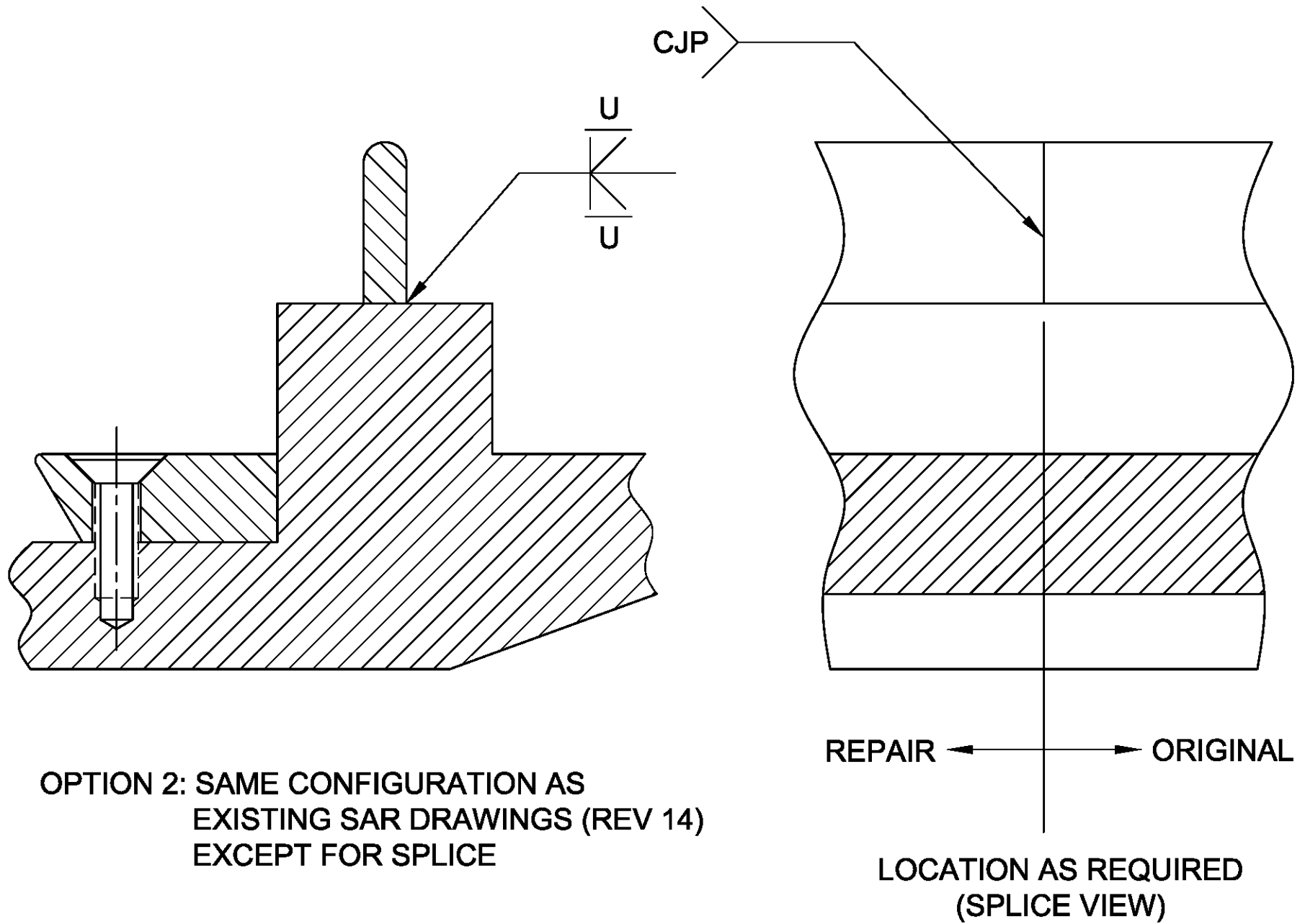
Meeting Attendees
AREVA Federal Services LLC and NRC Meeting
July 10, 2013, 1:00 p.m. – 2:00 p.m.

NAME	AFFILIATION	PHONE NUMBER
Todd Sellmer	Nuclear Waste Partnership, LLC	575-234-7396
Phil Noss	AREVA Federal Services, LLC	253-552-1321
Huda Akhavannik	NRC/NMSS/SFST	301-287-9241
Ian Tseng	NRC/NMSS/SFST	301-415-7964
Bruce Lin	NRC/NMSS/SFST	301-251-7653
Dave Tarantino	NRC/NMSS/SFST	301-287-9164
David Tang	NRC/NMSS/SFST	301-287-0678



OPTION 1: SAME CONFIGURATION AS CERTIFICATION TEST UNIT #2, EXCEPT FOR SPLICES

LOCATION AS REQUIRED (SPLICE VIEW)



OPTION 2: SAME CONFIGURATION AS
EXISTING SAR DRAWINGS (REV 14)
EXCEPT FOR SPLICE