

MAY 13 2013

Sherri R. Ross, Program Manager
Waste Removal and Tank Closure
Waste Disposition Programs Division
Savannah River Operations Office

Dear Ms. Ross:

ACTION ITEM FOLLOW-UP IN SUPPORT OF U.S. NUCLEAR REGULATORY COMMISSION ONSITE OBSERVATION VISIT ON MARCH 27-28, 2013

The third F-Tank Farm monitoring onsite observation visit by the U. S. Nuclear Regulatory Commission (NRC) was held at the Savannah River Site on March 27-28, 2013. During the outbrief for the visit two Action Items relative to providing video of Tanks 5 and 6 mapping activities were captured. The two Action Items included the following:

14. *DOE/NRC to arrange follow-up clarification phone call regarding mapping methodology*
 - *Include clarification of annulus volume determination (100% inspection versus 4-riser access)*
 - *Consider sending sample crawler video*
15. *Provide video of Tank 5/6 annulus inspection*

Savannah River Remediation LLC (SRR) has prepared several DVDs capturing the video footage supporting the above Action Items. The video is contained on three separate DVDs. One DVD contains sample crawler video from Tank 5 for Action Item 14. [LWO Library entry #SRR-M-CWDA-2013-00001] Attachment 1 to this memorandum provides an overview of the locations within the Tank 5 primary tank the video footage represents. The video of Tank 5/6 annulus inspection for Action Item 15 is contained on two separate DVDs, one each for Tank 5 and Tank 6. [LWO Library entry #SRR-M-CWDA-2013-00002 and SRR-M-CWDA-2013-

00003] Attachment 2 to this memorandum provides an overview of the location within the Tank 5 annulus the video footage represents. Attachment 3 provides the video footage location for Tank 6. Two sets of DVDs are being provided for transmittal to the NRC and one additional copy is being provided for your use.

In addition, during the May 8, 2013 follow-up call regarding the Tank 5/Tank 6 Special Analysis, the NRC requested additional GoldSim modeling files supporting the Tank 5/Tank 6 Special Analysis. Two DVDs (one set) containing the additional files are being provided for transmittal to the NRC. Attachment 4 provides a listing of the files contained on the DVDs.

If you have any questions please contact me at 557-8960.

Sincerely,



Steven A. Thomas
Deputy Manager
Closure & Waste Disposal Authority

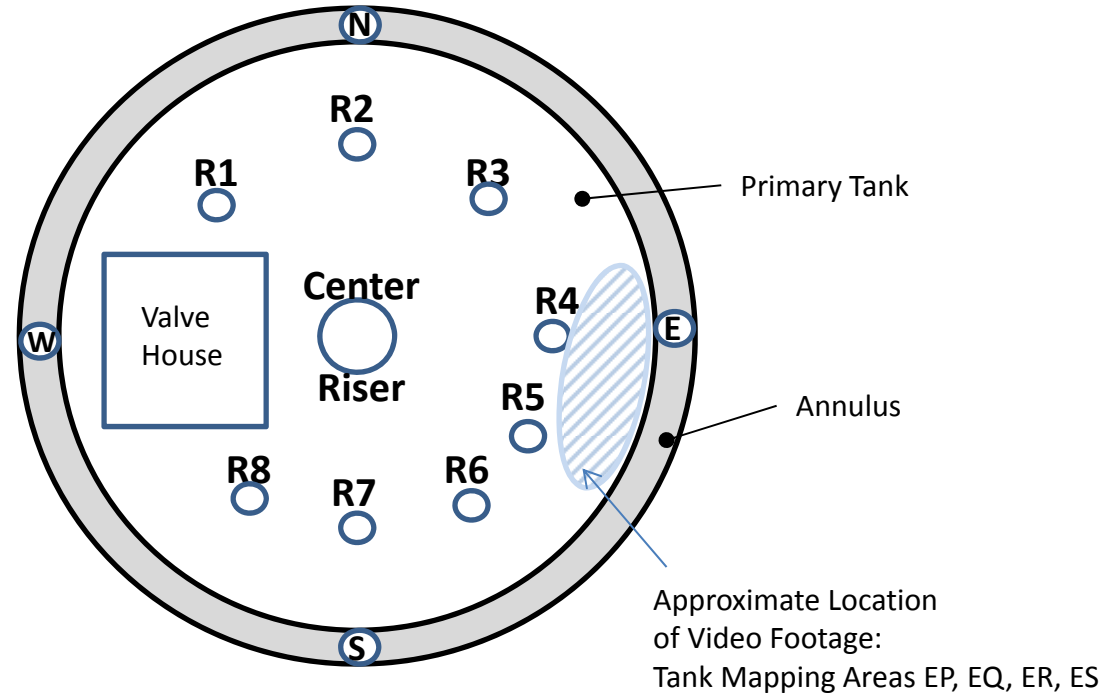
st/lr

Att.

c: K. A. Hauer, 705-1C
K. H. Rosenberger, 705-1C
M. H. Layton, 705-1C
B. A. Martin, 705-1C
L. B. Romanowski, 705-1C
M. J. Mahoney, 705-1C
A. J. Tisler, 241-284H

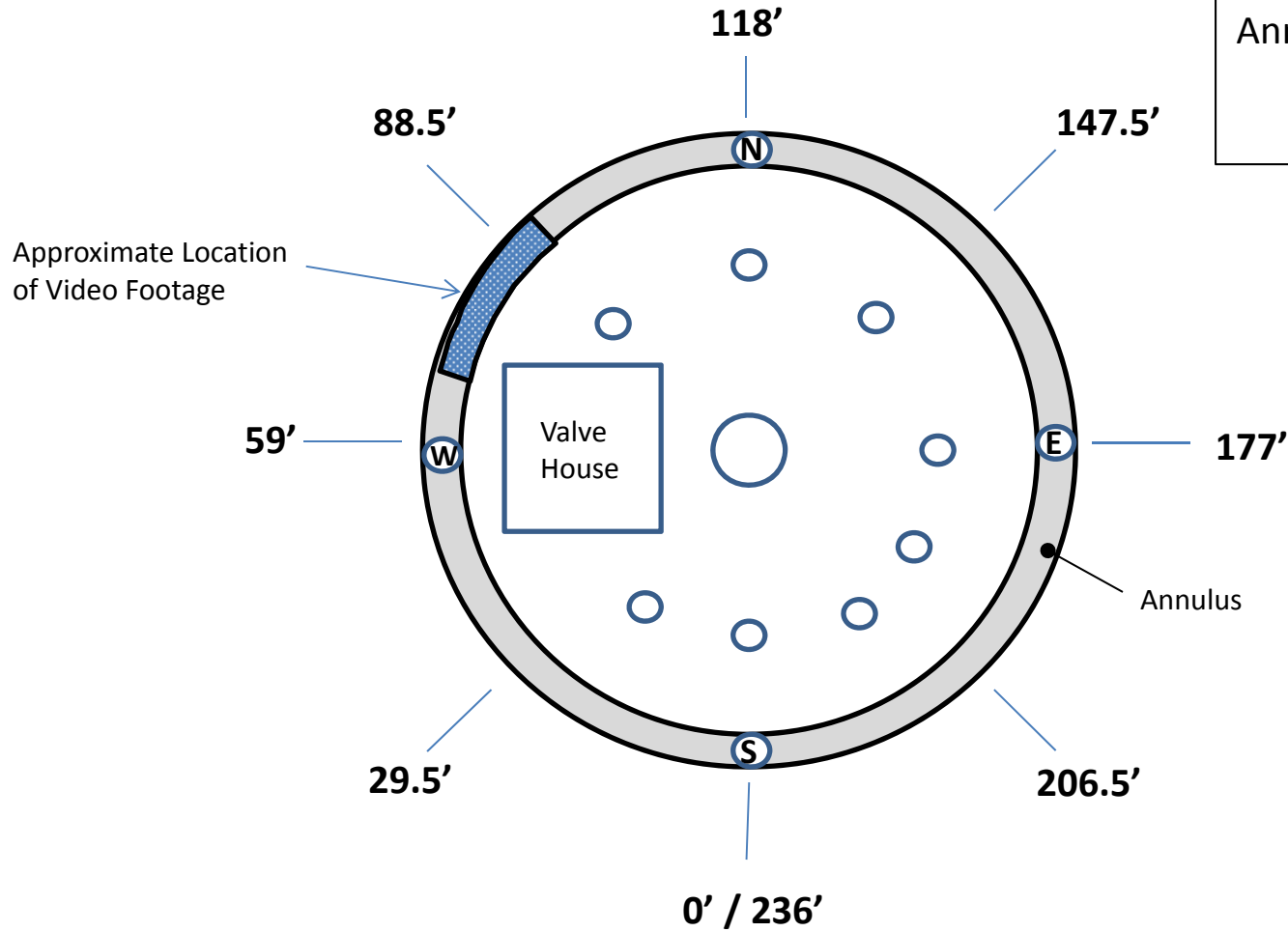
Attachment 1

Tank 5
Sample Crawler Video



Attachment 2

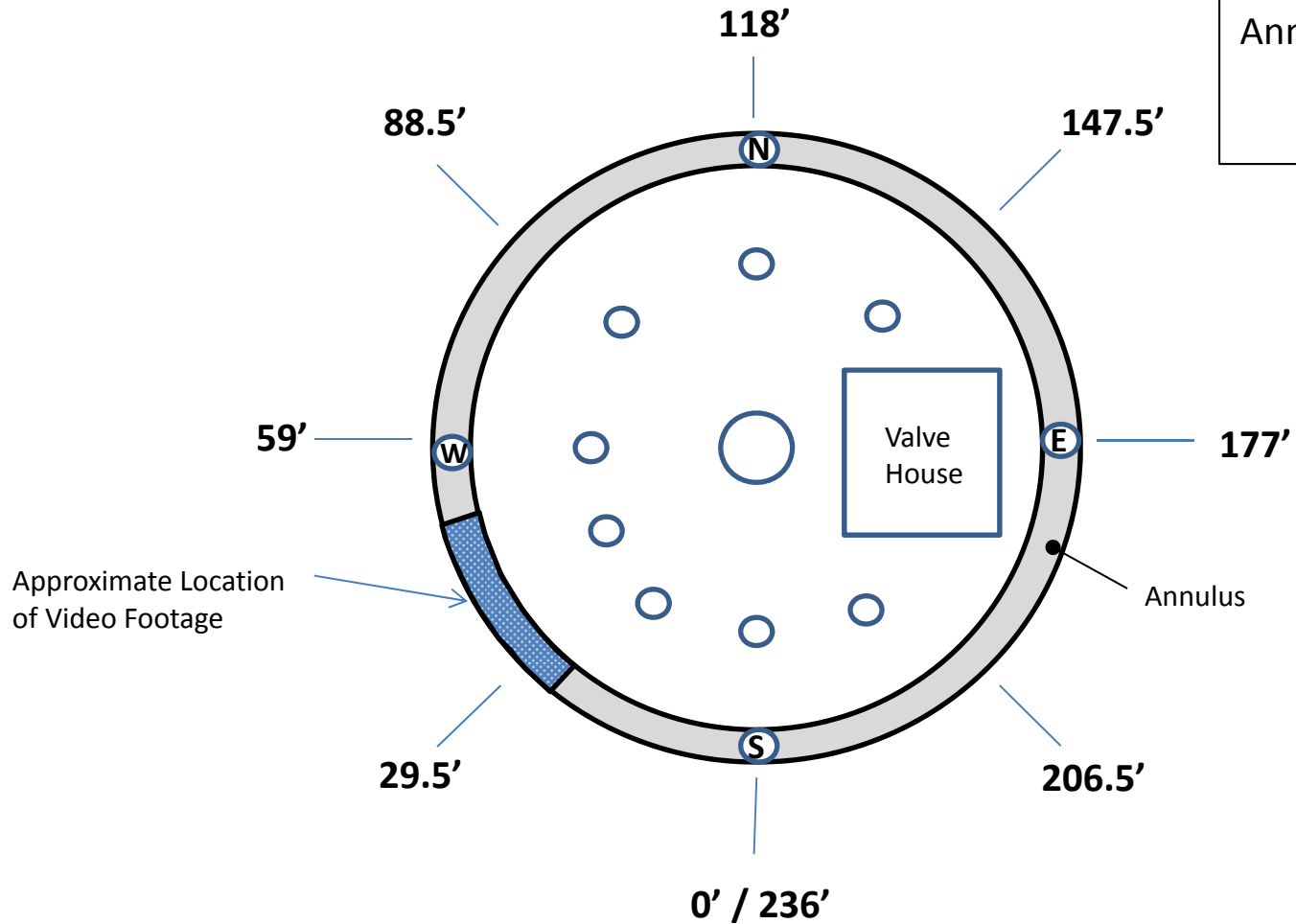
Tank 5
Annulus Inspection Video
West Riser
4/20/2009



Values represent distance around circumference
measured clockwise from the South Riser

Attachment 3

Tank 6
Annulus Inspection Video
West Riser
3/31/2009



Values represent distance around circumference measured clockwise from the South Riser

Attachment 4

GoldSim Files for Tank 5/Tank 6 Special Analysis

Disc 1/2

File Name	Description
SRS FTF v3.0 CaseA RS01.gsm	Probabilistic GoldSim model results: Case A, 100 realizations, using random seed = 1
SRS FTF v3.0 CaseA RS02.gsm	Probabilistic GoldSim model results: Case A, 100 realizations, using random seed = 2
SRS FTF v3.0 CaseA RS03.gsm	Probabilistic GoldSim model results: Case A, 100 realizations, using random seed = 3
SRS FTF v3.0 CaseA RS04.gsm	Probabilistic GoldSim model results: Case A, 100 realizations, using random seed = 4
SRS FTF v3.0 CaseA RS05.gsm	Probabilistic GoldSim model results: Case A, 100 realizations, using random seed = 5
SRS FTF v3.0 CaseA RS06.gsm	Probabilistic GoldSim model results: Case A, 100 realizations, using random seed = 6
SRS FTF v3.0 CaseA RS07.gsm	Probabilistic GoldSim model results: Case A, 100 realizations, using random seed = 7
SRS FTF v3.0 CaseA RS08.gsm	Probabilistic GoldSim model results: Case A, 100 realizations, using random seed = 8
SRS FTF v3.0 CaseA RS09.gsm	Probabilistic GoldSim model results: Case A, 100 realizations, using random seed = 9
SRS FTF v3.0 CaseA RS10.gsm	Probabilistic GoldSim model results: Case A, 100 realizations, using random seed = 10
SRS FTF v3.0_CaseA_Result Compile_Rev1.gsm	GoldSim file used to combine select model results from the 10 Case A runs listed above.

Disc 2/2

File Name	Description
SRS FTF v3.0 AllCases RS1.gsm	Probabilistic GoldSim model results: All Cases, 1000 realizations, using random seed = 1
SRS FTF v3.1 ChemMod1 AllCases RS01.gsm	Probabilistic GoldSim model results: Updated for Composite Analysis , All Cases, 1000 realizations, using random seed = 1
	End.