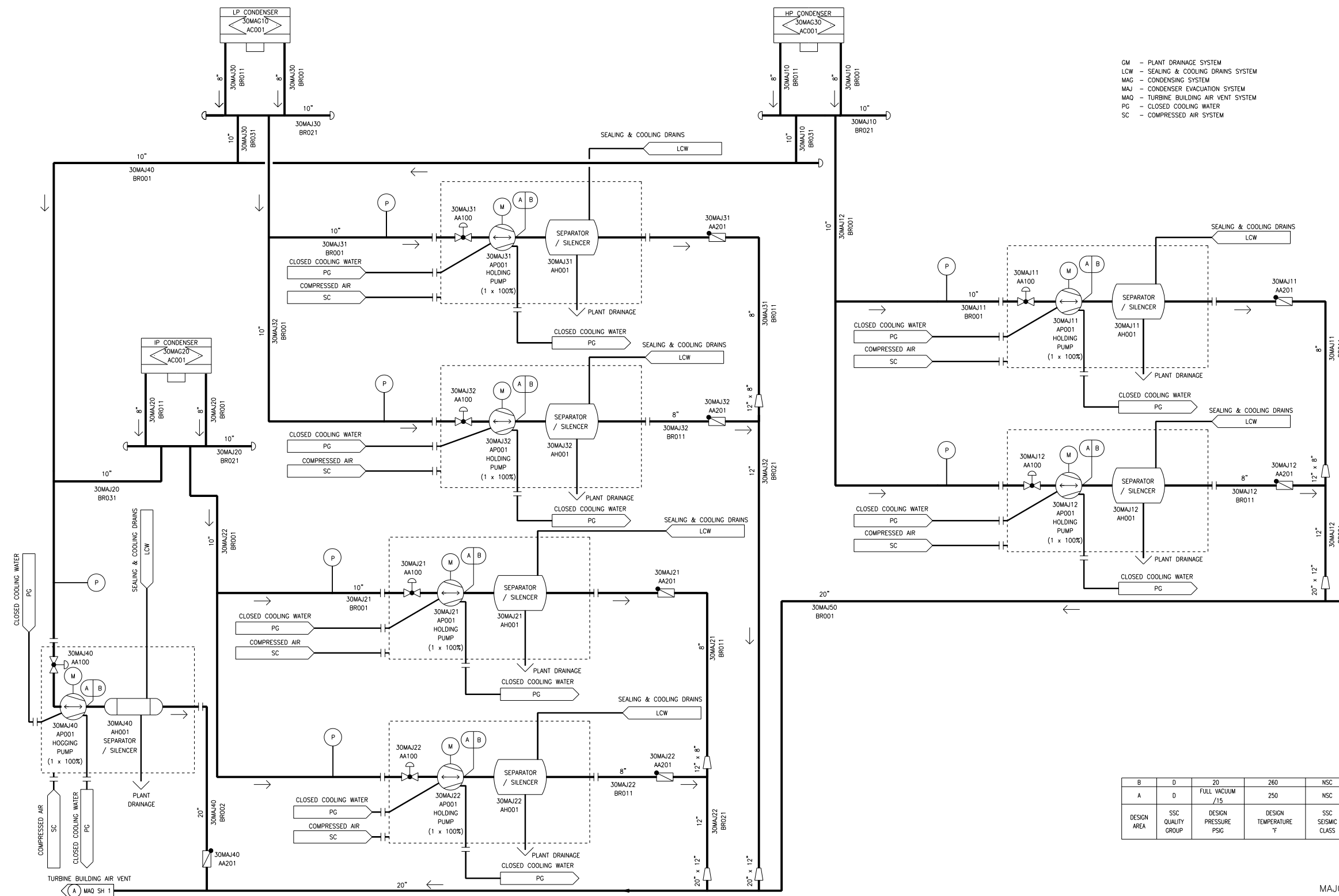
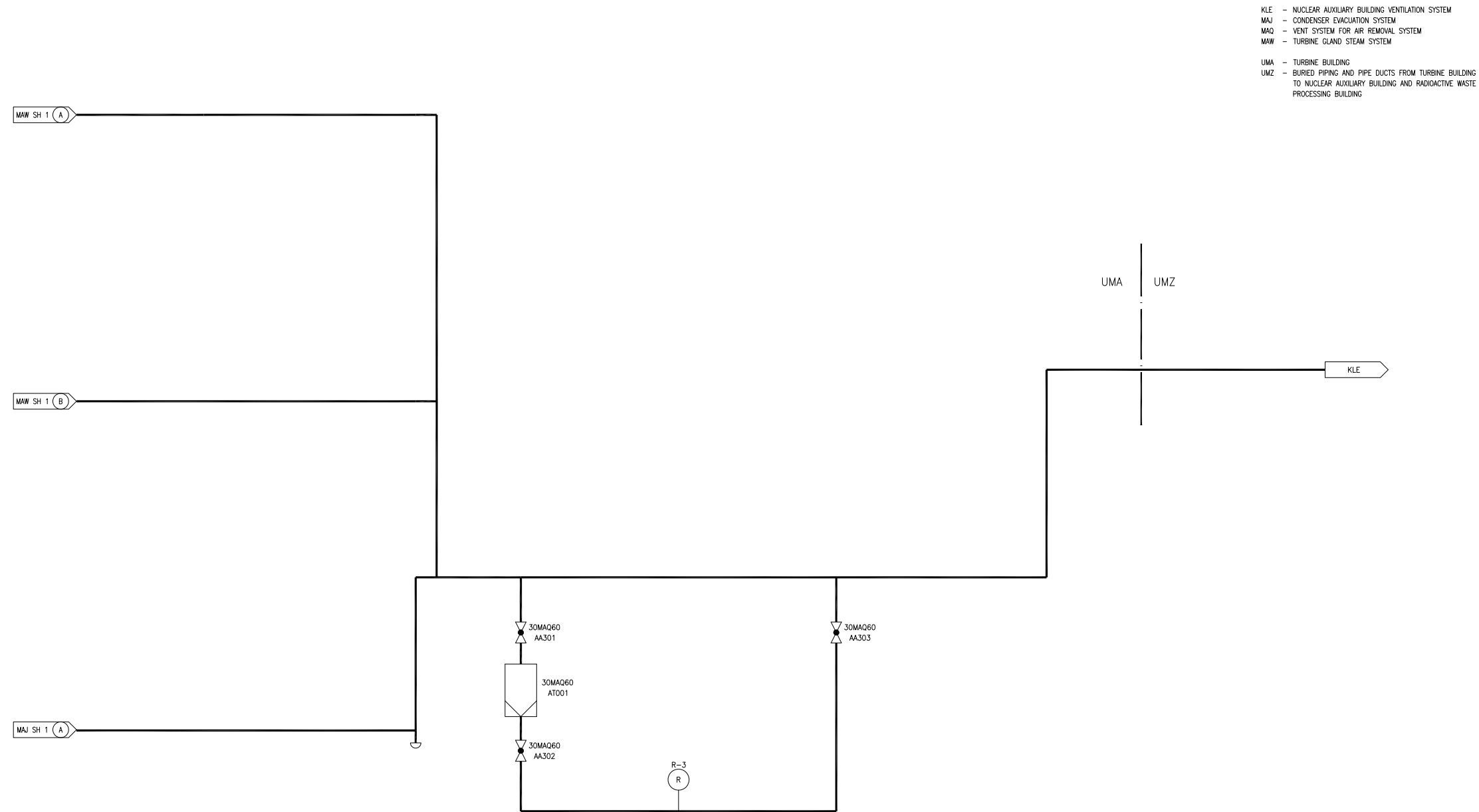


Figure 10.4.2-1—Main Condenser Evacuation System



MAJ01T2

Figure 10.4.2-2—Vent System for Air Removal



KLE - NUCLEAR AUXILIARY BUILDING VENTILATION SYSTEM
 MAJ - CONDENSER EVACUATION SYSTEM
 MAQ - VENT SYSTEM FOR AIR REMOVAL SYSTEM
 MAW - TURBINE GLAND STEAM SYSTEM

 UMA - TURBINE BUILDING
 UMZ - BURIED PIPING AND PIPE DUCTS FROM TURBINE BUILDING
 TO NUCLEAR AUXILIARY BUILDING AND RADIOACTIVE WASTE
 PROCESSING BUILDING

A	D	8	175	NSC
DESIGN AREA	SSC QUALITY GROUP	DESIGN PRESSURE PSIG	DESIGN TEMPERATURE °F	SSC SEISMIC CLASS

REV 003
MAQ01T2