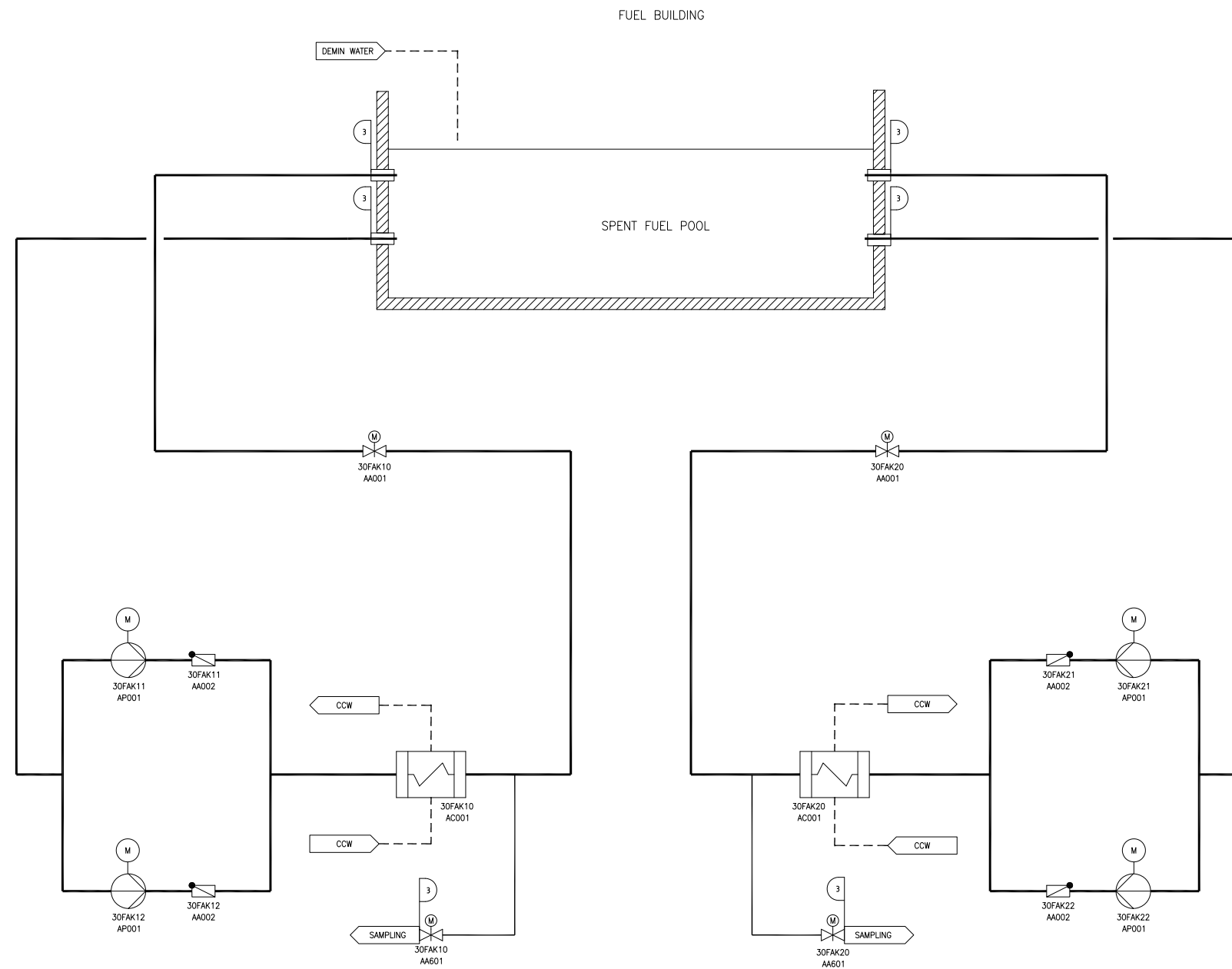


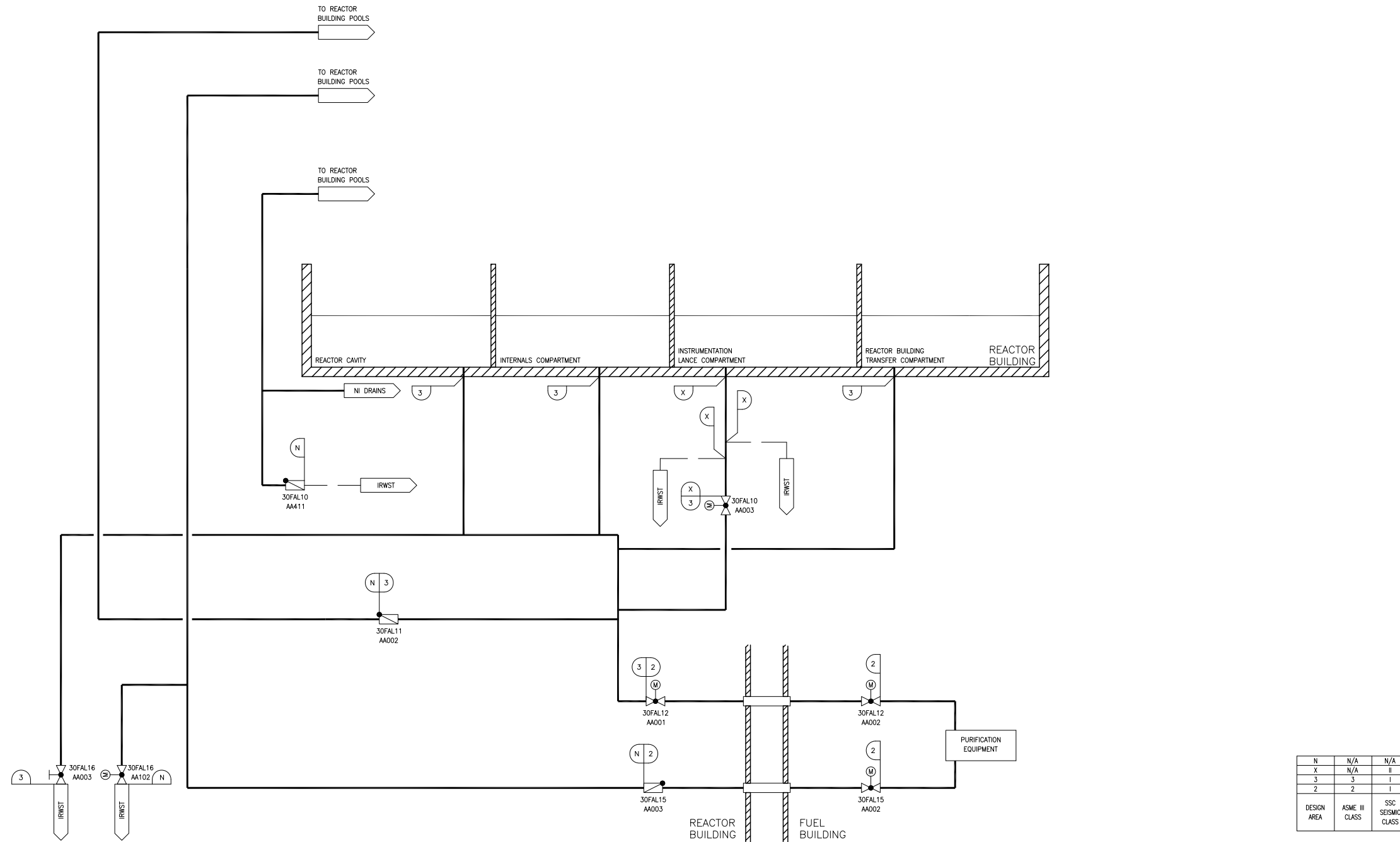
Figure 2.2.5-1—Fuel Pool Cooling and Purification System Functional Arrangement  
Sheet 1 of 3



3	3	1
DESIGN AREA	ASME III CLASS	SSC SEISMIC CLASS

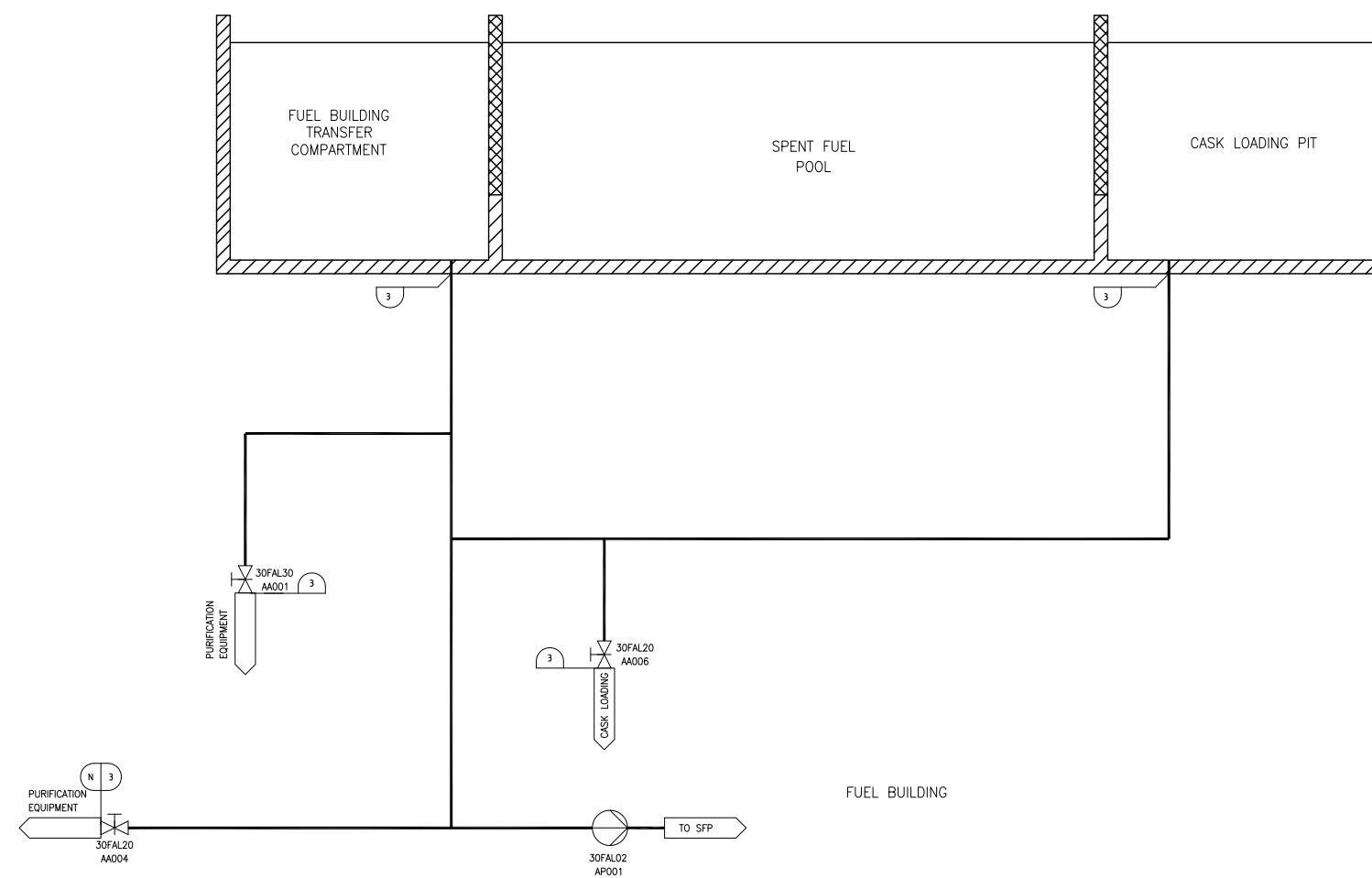
REV 003  
FAK01T1

Figure 2.2.5-1—Fuel Pool Cooling and Purification System Functional Arrangement  
Sheet 2 of 3



REV 003  
FAL01T1

Figure 2.2.5-1—Fuel Pool Cooling and Purification System Functional Arrangement  
Sheet 3 of 3



N 3	N/A 3	N/A 1
DESIGN AREA	ASME III CLASS	SSC SEISMIC CLASS

REV 003  
FAL02T1