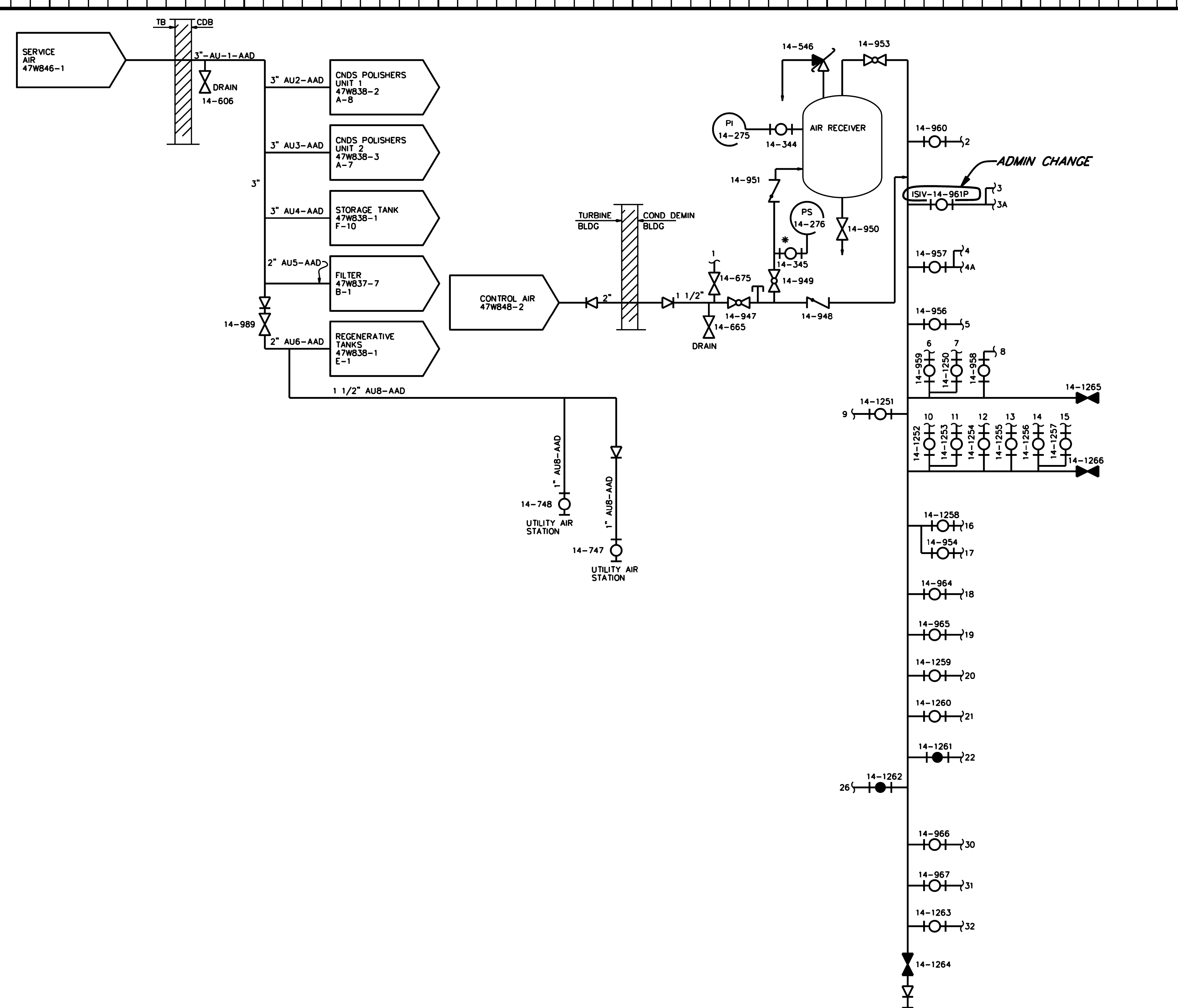
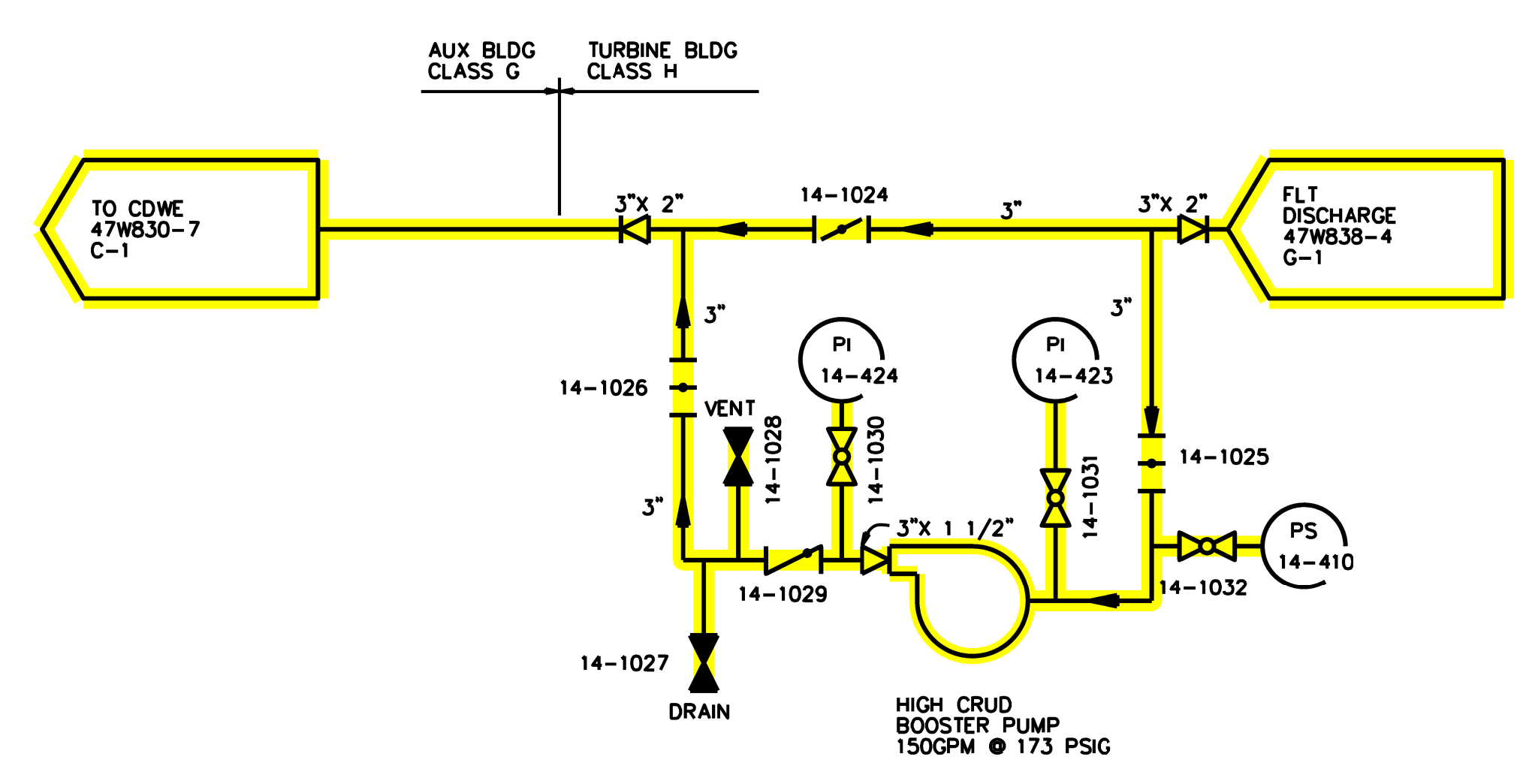


CONN NO	SERVICE	CONTROL VALVE	ISOLATION VALVE
1	NON RECLAIMABLE WASTE TK FLOW CONTROL	0-FCV-14-451	
	COND DEMIN DISCH TO C.T. BLOWDOWN	0-FCV-14-360	SEE 47W600-239
	FILTER DISCH TO RADWASTE VALVE	0-FCV-14-397	
	NON RECLAIMABLE WASTE TK RECIRC	0-FCV-14-345	SEE 47W600-239
	COND DEMIN DISCH TO RADWASTE VLV	0-FCV-14-294	
	FILTER DISCH TO C.T. BLOWDOWN VLV	0-FCV-14-288	
	RESIN TRAP DIFF PRESS	1-PDT-14-430	
	FILTER FEED FROM H.C.T. VLV	0-FCV-14-390	SEE 47W600-239
2	FILTER FEED FROM NEUT TK	0-FCV-14-310	
	NRW TK FILTER FEED	0-FCV-14-311	
	BACKFLUSH SLURRY DISCH TO N.T.	0-FCV-14-308	
	BACKFLUSH SLURRY DISCH TO N.T.	0-FCV-14-309	
	NEUTRALIZATION TK SOLENOID PANEL	0-L-461	
3	STORAGE TK SOLENOID PANEL	0-L-464	
3-A	STORAGE TK SOLENOID PANEL	0-L-464	
4	CAUSTIC SOLENOID PANEL	0-L-463	
4-A	CAUSTIC SOLENOID PANEL	0-L-463	
5	ACID DILUTION SOLENOID PANEL	0-L-462	
6	RECEIVING TK SOLENOID PANEL	0-L-465	
7	ANION TK SOLENOID PANEL	0-L-466	
8	SERVICE AIR SUPPLY INLET	0-FCV-14-108	SEE 47W600-239
	ANION TK RINSE INLET VLV	0-FCV-14-100	SEE 47W600-239
	ANION TK BACKWASH INLET VLV	0-FCV-14-91	SEE 47W600-239
	ANION TK BACKWASH OUTLET VLV	0-FCV-14-93	SEE 47W600-239
	ANION TK BACKWASH OUTLET VLV	0-FCV-14-92	SEE 47W600-239
	CAUSTIC OUTLET TO RECLAIM TK VLV	0-FCV-14-95	
	ANION TK RINSE OUTLET VLV	0-FCV-14-96	SEE 47W600-239
	ANION TK EFFLUENT TO NEUTRALIZATION TK	0-FCV-14-118	SEE 47W600-239
	ANION TK EFFLUENT TO H.C.T. VLV	0-FCV-14-119	SEE 47W600-239
	ANION TK RINSE OUTLET VLV	0-FCV-14-94	SEE 47W600-239
	ANION TK SERVICE AIR INLET VLV	0-FCV-14-98	SEE 47W600-239
	ANION TK DILUTE CAUSTIC INLET VLV	0-FCV-14-97	SEE 47W600-239
	ANION TK ANION RESIN OUTLET	0-FCV-14-102	SEE 47W600-239
	ANION TK CAUSTIC RESIN OUT VLV	0-FCV-14-103	SEE 47W600-239
	ANION TK VENT VLV CONTROL VLV	0-FCV-14-99	SEE 47W600-239
	ANION TK FLUSH WATER INLET VLV	0-FCV-14-101	SEE 47W600-239
9	RESIN DISPOSAL BACKWASH	0-FCV-14-281	SEE 47W600-239
	RECEIVING TK BACKWASH OUTLET	0-FCV-14-77	SEE 47W600-239
	RECEIVING TK CAUSTIC INLET VLV	0-FCV-14-89	SEE 47W600-239
	RECEIVING TK ANION RESIN OUTLET VLV	0-FCV-14-75	SEE 47W600-239
	RECEIVING TK CATION RESIN OUT VLV	0-FCV-14-87	SEE 47W600-239
	RECEIVING TK FLUSH WATER INLET VLV	0-FCV-14-86	SEE 47W600-239
	RECEIVING TK VENT VLV	0-FCV-14-84	SEE 47W600-239
	RECEIVING TK ACID INLET VLV	0-FCV-14-82	SEE 47W600-239
	RECEIVING TK MIXED RESIN INLET VLV	0-FCV-14-74	SEE 47W600-239
	FILTER & REGEN PANEL	0-L-460	
10	INTAKE DAMPER SOLENOID PANEL	0-L-469	
	PNEU BOOSTER INLET	0-FCV-14-265	0-ISIV-14-1253A
	BACKFLUSH SLURRY DISCH TO DISPOSAL	0-FCV-14-349	0-ISIV-14-1253B (CLOSING AIR)
	BACKFLUSH SLURRY DISCH TO DISPOSAL	0-FCV-14-349	0-ISIV-14-1253C (OPENING AIR)
	HC FILTER DRAIN VLV	0-FCV-14-241	0-ISIV-14-1253D
	HC FILTER OUTLET VLV	0-FCV-14-250	0-ISIV-14-1253E
	AIR ACUUM OUTLET VLV	0-FCV-14-251	0-ISIV-14-1253H
	BF TK RECIRC VLV	0-FCV-14-302	0-ISIV-14-1253I
	HC FILTER VENT VLV	0-FCV-14-312	0-ISIV-14-1253J
	INLET FLOW CONTROL	0-FCV-14-314B	0-ISIV-14-1253K
	HC FILTER RECIRC VLV	0-FCV-14-252	0-ISIV-14-1253L
	HC FILTER EFFLUENT VLV	0-FCV-14-253	0-ISIV-14-1253M
	FILTER DISCH TO COOL TWR BLWDN VLV	0-FCV-14-288	SEE 47W600-239
	HC FILTER INLET VLV	0-FCV-14-290	0-ISIV-14-1253N (OPENING AIR)
	HC FILTER INLET VLV	0-FCV-14-290	0-ISIV-14-1253O (CLOSING AIR)
	HC FILTER BYPASS VLV	0-FCV-14-292	0-ISIV-14-1253P (OPENING AIR)
	HC FILTER BYPASS VLV	0-FCV-14-292	0-ISIV-14-1253Q (CLOSING AIR)
	BF TK OUTLET VLV	0-FCV-14-291	0-ISIV-14-1253R (OPENING AIR)
	HC FILTER INLET VLV	0-FCV-14-229	0-ISIV-14-1253S (CLOSING AIR)
	HC FILTER INLET VLV	0-FCV-14-229	0-ISIV-14-1253T (OPENING AIR)
12	RECEIVING TK SODIUM SULFITE INLET VLV	0-FCV-14-88	SEE 47W600-239
	FILTER BACKWASH VLV	0-FCV-14-296	
	PRECOAT TK COND SUPPLY VLV	0-FCV-14-297	
	FILTER PRECOAT RETURN VLV	0-FCV-14-289	
13	FILTER PRECOAT RETURN VLV	0-FCV-14-289	
	PRECOAT TK COND SUPPLY VLV	0-FCV-14-297	
	BODY FEED TK LEVEL TRANSMITTER	0-L-459	SEE DWG D8040-3
	BODY FEED TO FILTER VLV	0-FCV-14-389	SEE DWG D8041-3
	BODY FEED PMP A DISCH VLV	0-FCV-14-298	SEE DWG D8042-3
15	EXHAUST DAMPER SOLENOID PANEL	0-L-470	
16	COND POLISHERS BYPASS DIFF PRESS	0-PDT-14-204	
17	RINSE WATER SUPPLY FLOW CONT VLV	0-FCV-14-112	
18	POLISHER TRANSMITTER PANEL	0-L-455A	SEE DWG D8041-3
19	POLISHER TRANSMITTER PANEL	0-L-455B	SEE DWG D8041-3
20	POLISHER TRANSMITTER PANEL	0-L-455C	SEE DWG D8042-3
21	VLV GALLERY DAMPER SOLENOID PANEL	0-L-471	
22	SPARE		
26	SPARE		
30	POLISHER TRANSMITTER PANEL	0-L-456A	SEE DWG D8043-3
31	POLISHER TRANSMITTER PANEL	0-L-456B	SEE DWG D8044-3
32	POLISHER TRANSMITTER PANEL	0-L-456C	SEE DWG D8045-3



- NOTES:
1. ALL INSTRUMENT AND VALVE TAG NUMBERS PRECEDED BY NUMERICAL 0 EXEMPLE 0-FCV-14-145.
  2. VALVES MARKED \* FURNISHED BY TVA, SPECIFIED BY BRAUN.
  3. INSTRUMENTS INCLUDE 5-VALVE MANIFOLD.
  4. ALL INSTRUMENT VALVES ARE 1/2" UNLESS OTHERWISE NOTED.
  5. DENOTES PIPING MATERIAL CLASS CHANGE.
7. TYPICAL DOUBLE VALVE ARRANGEMENT FOR TABULATED VALVES.
8. 1" IS A MINIMUM SIZE FOR SED CLASS PIPING OR VALVING.
10. INDICATES TVA-TTI PIPING INTERFACE.
11. ALL PIPING TVA CLASS H UNLESS OTHERWISE NOTED.
- REFERENCES:
- 47W846-1-----SERVICE AIR SYSTEM
  - 47W848-1-----CONTROL AIR SYSTEM
  - SON-DC-V-3.0-----CLASSIFICATION OF PIPING, PUMPS & VESSELS
- COMPANION DRAWINGS:
- 47W838-1-----REGENERATION
  - 47W838-2-----COND MINRLZR UNIT 1 COND POLISHERS
  - 47W838-3-----COND MINRLZR UNIT 2 COND POLISHERS
  - 47W838-4-----WASTE DISPOSAL
  - 47W838-6-----PROCESS AND FLOOR DRAINS
  - 47W838-7-----FILTER SYSTEMS & UTILITIES



COMPONENTS SUBJECT TO AMR

NSR AFFECTING SSCs AMM29

**MECHANICAL FLOW DIAGRAM  
FILTER SYSTEM  
AND UTILITIES**

SEQUOYAH NUCLEAR PLANT  
TENNESSEE VALLEY AUTHORITY

0	11-21-2012				
NO.	DATE	DESCRIPTION	BY	ENG	CHK
REVISIONS					
LRA-1,2-47W838-7-1					
CAD FILE 1,2-47W838-7-1_18.DGN					

ISSUED BY: N/A

CAD MAINTAINED DRAWING