

United States Nuclear Regulatory Commission Official Hearing Exhibit

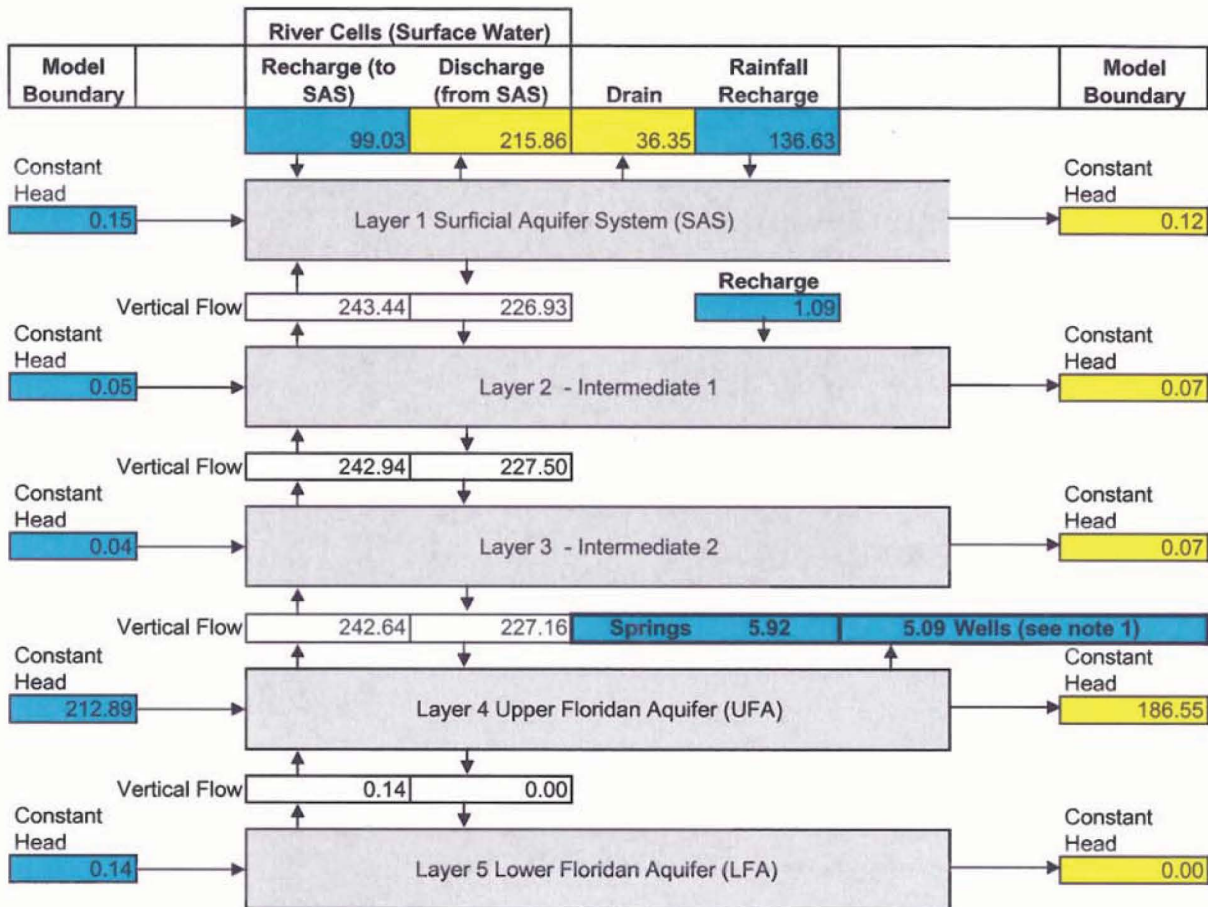
In the Matter of:

Progress Energy Florida, Inc.
(Levy County Nuclear Power Plant, Units 1 and 2)



ASLBP #: 09-879-04-COL-BD01
Docket #: 05200029 | 05200030
Exhibit #: PEF211-00-BD01
Admitted: 10/31/2012
Rejected:
Other:

Identified: 10/31/2012
Withdrawn:
Stricken:



Note 1: Well withdrawal comprised of 3.51 mgd from other users (model calibration year 2001) + 1.58 mgd for LNP

Inflow	Outflow	Difference	% Difference
450.03	450.03	0.00	0.00%

NOTE: ALL VALUES MGD

Progress Energy Florida
Levy Nuclear Plant
Units 1 and 2

SWFWMD DWRM2 TMR
TMR Model Water Budget
with LNP withdrawing 1.58 mgd
FIGURE 8