

NOTES

- FOR STRUCTURE, STEEL NOTES SET ON D 715
- STEEL WAREHOUSE (MISC) SHALL BE FURNISHED BY MISCELLANEOUS IRON CONTRACTOR & DELIVERED BY SUPERSTRUCTURE CONTRACTOR

REFERENCE DRAWINGS

B-710 PIPE CHASE FRAMING SECTIONS & DETAILS
 B-652 BORON INJECTION TANK REMOVAL STRUCTURE MODIFICATION DETAILS IN 12-11-82

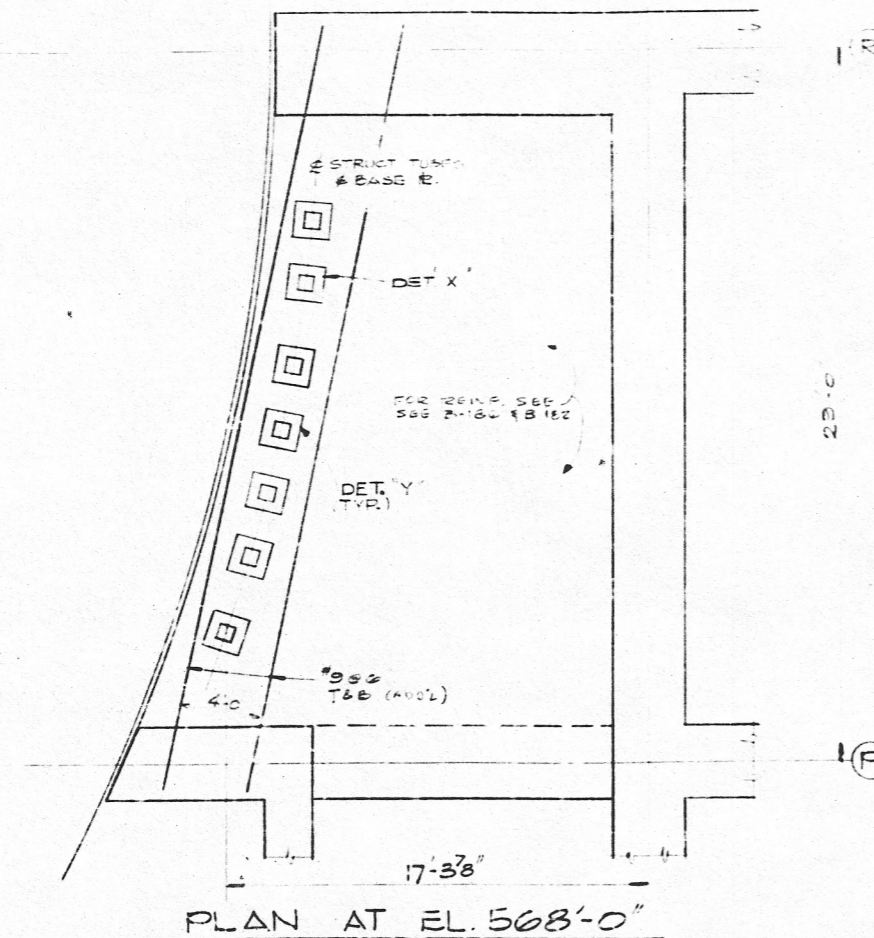
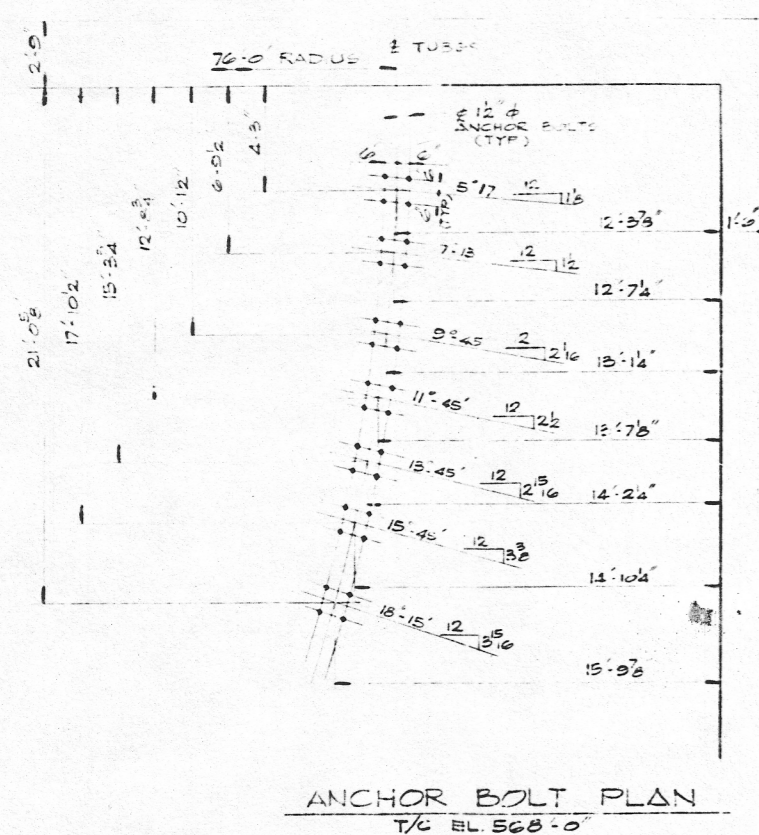
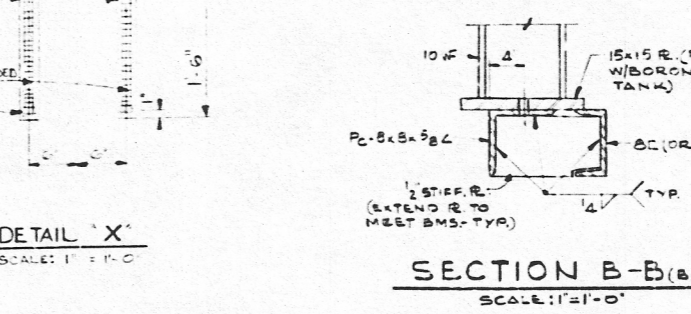
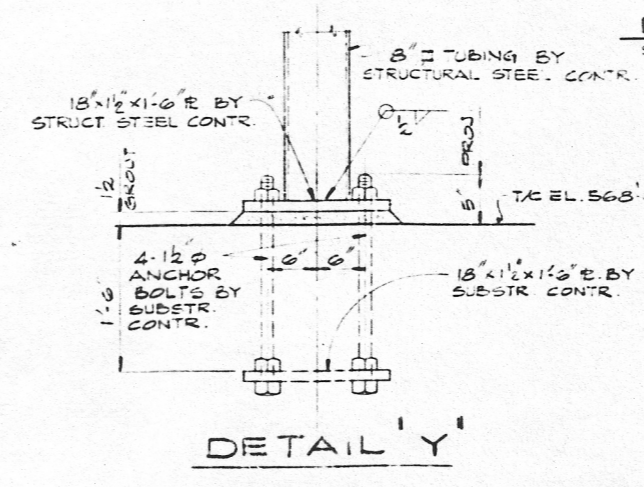
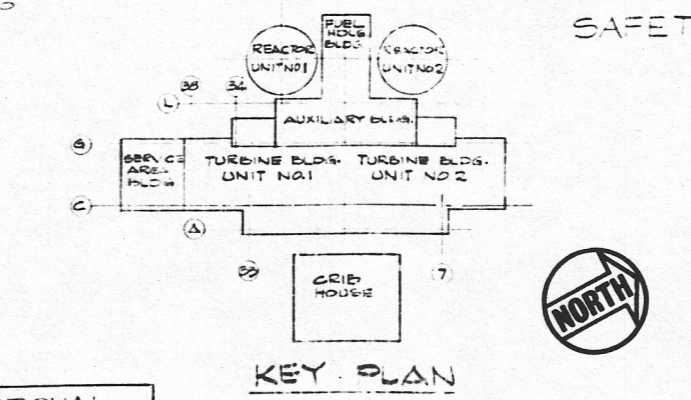
WALSER
 ILLINOIS
 Civil Drafters 12-5-82

PIPE CHASE FRAMING PLANS
 EL. 574'-4 3/4", EL. 598'-3 3/4" & EL. 607'-0"
 ZION STATION UNIT I
 COMMONWEALTH EDISON CO.
 CHICAGO, ILLINOIS

SARGENT & LUNDY
 CHICAGO

DRAWING NO. **B-718**

| Rev. | Date | Description |
|------|----------|--------------|
| 1 | 12-23-82 | AS SHOWN |
| 2 | 1-13-83 | ADD DETAIL X |
| 3 | 1-13-83 | ADD DETAIL Y |
| 4 | 1-13-83 | ADD DETAIL Z |
| 5 | 1-13-83 | ADD DETAIL W |
| 6 | 1-13-83 | ADD DETAIL V |
| 7 | 1-13-83 | ADD DETAIL U |
| 8 | 1-13-83 | ADD DETAIL T |
| 9 | 1-13-83 | ADD DETAIL S |
| 10 | 1-13-83 | ADD DETAIL R |



DRAWING RELEASE APPROVAL

REV. DATE RELEASED: 1-13-83
 PURPOSE: CHANGES AS SHOWN PER DECISION FOR RECORD

PREPARED BY: [Signature]
 REVIEWED BY: [Signature]
 APPROVED BY: [Signature]

D53