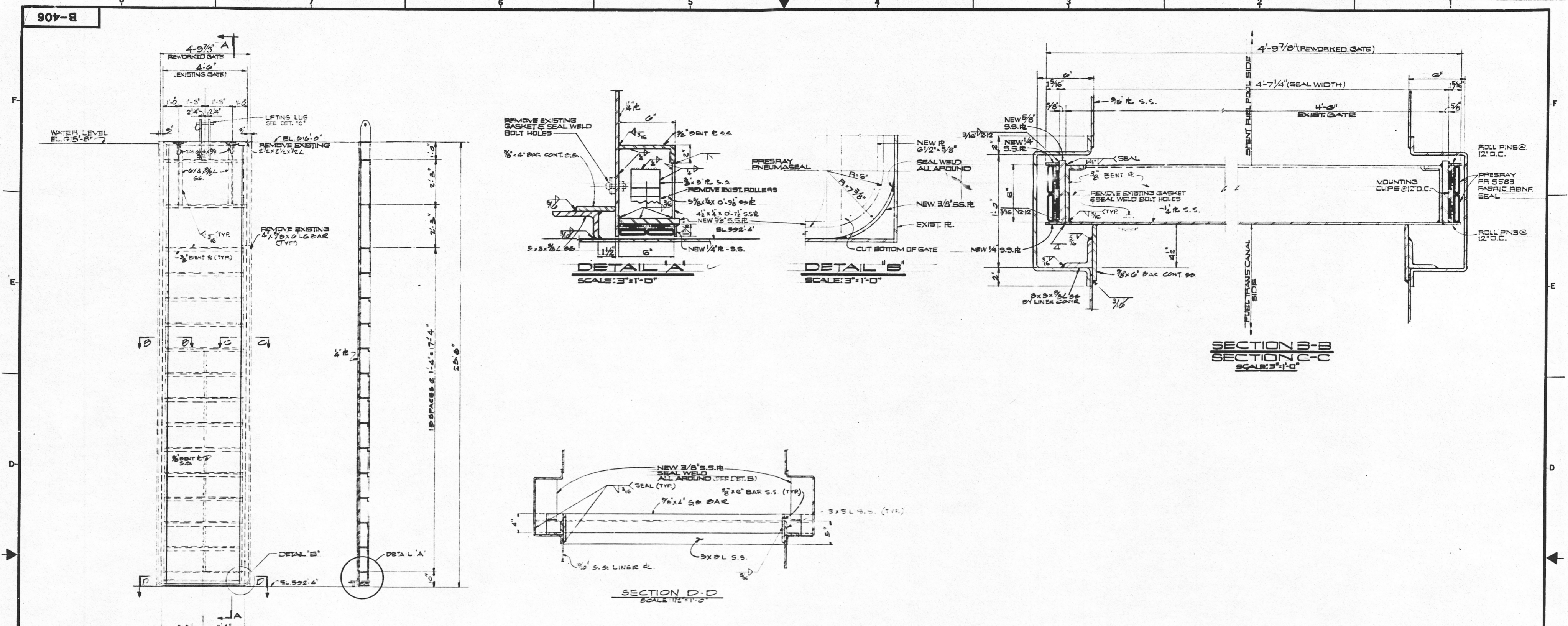
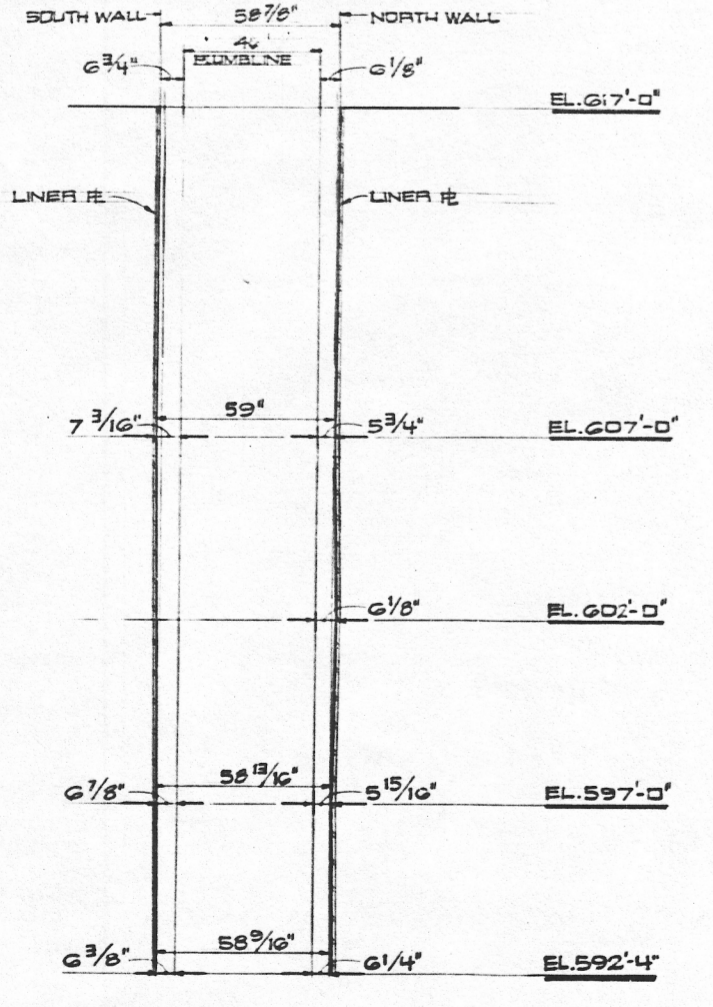


B-406

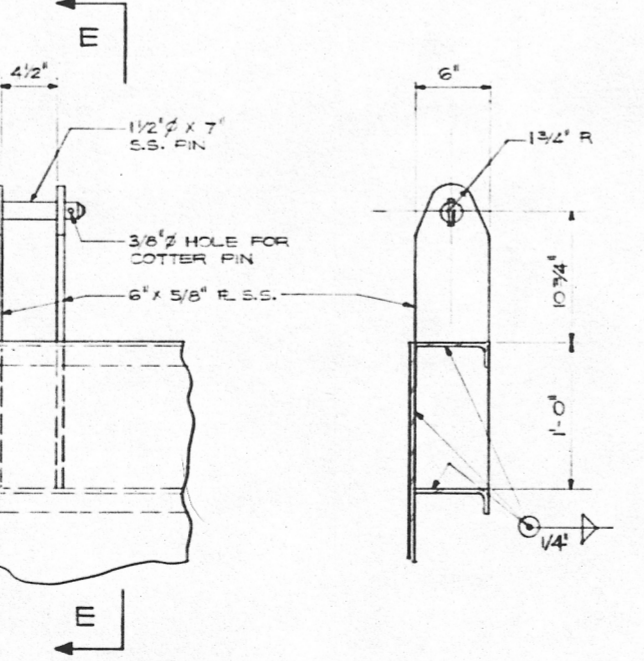


FUEL TRANSFER CANAL GATE (B-115, B-119, B-125) SCALE: 1/2" = 1'-0"

SECTION A-A



FUEL TRANSFER CANAL GATE (LOOKING WEST) FIELD MEASUREMENTS SCALE: 3/8\"/>



DETAIL C SCALE: 1/2" = 1'-0"

SECTION E-E

NOTES
 1. FOR GENERAL NOTES SEE DWG. D-51 & D-28
 2. GATE SHALL BE STAINLESS STEEL AND FASTENERS BY STAINLESS STEEL CONTRACTOR IN ACCORDANCE WITH SPEC. X-226

REFERENCE DRAWINGS

| Rev. | Date | By | Description |
|------|---------|--------|-------------|
| 1 | 8-20-72 | W.P.C. | REVISED |
| 2 | 8-24-72 | J.P. | REVISED |
| 3 | 8-24-72 | J.P. | REVISED |
| 4 | 8-24-72 | J.P. | REVISED |

FUEL HANDLING TRANSFER CANAL GATE SECTIONS & DETAILS
 ZION STATION UNITS 1 & 2
 COMMONWEALTH EDISON CO.
 CHICAGO, ILLINOIS

SCALE AS SHOWN
 DRAWN *G.K.* 4-29-72
 CHECKED *A. Seag* 6-5-72
 ENGINEER *J. Little* 6-8-72
 APPROVED *[Signature]*
 JOB NO. 9702 3898
 DRAWING NO. B-406

SARGENT & LUNDY
 INDEPENDENCE, ILLINOIS
 CHICAGO, ILLINOIS