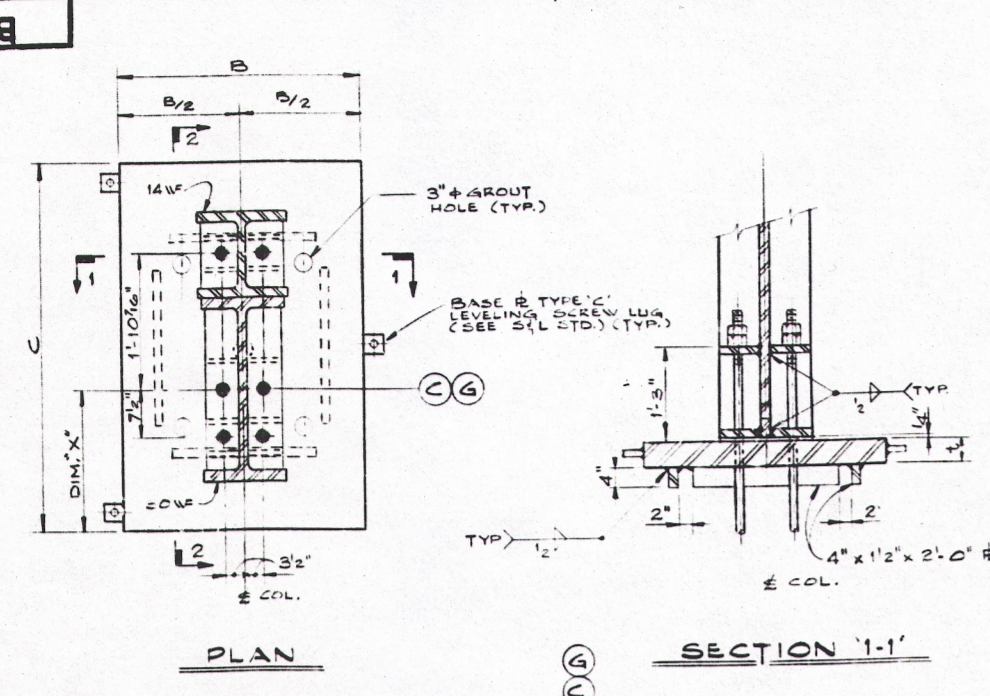
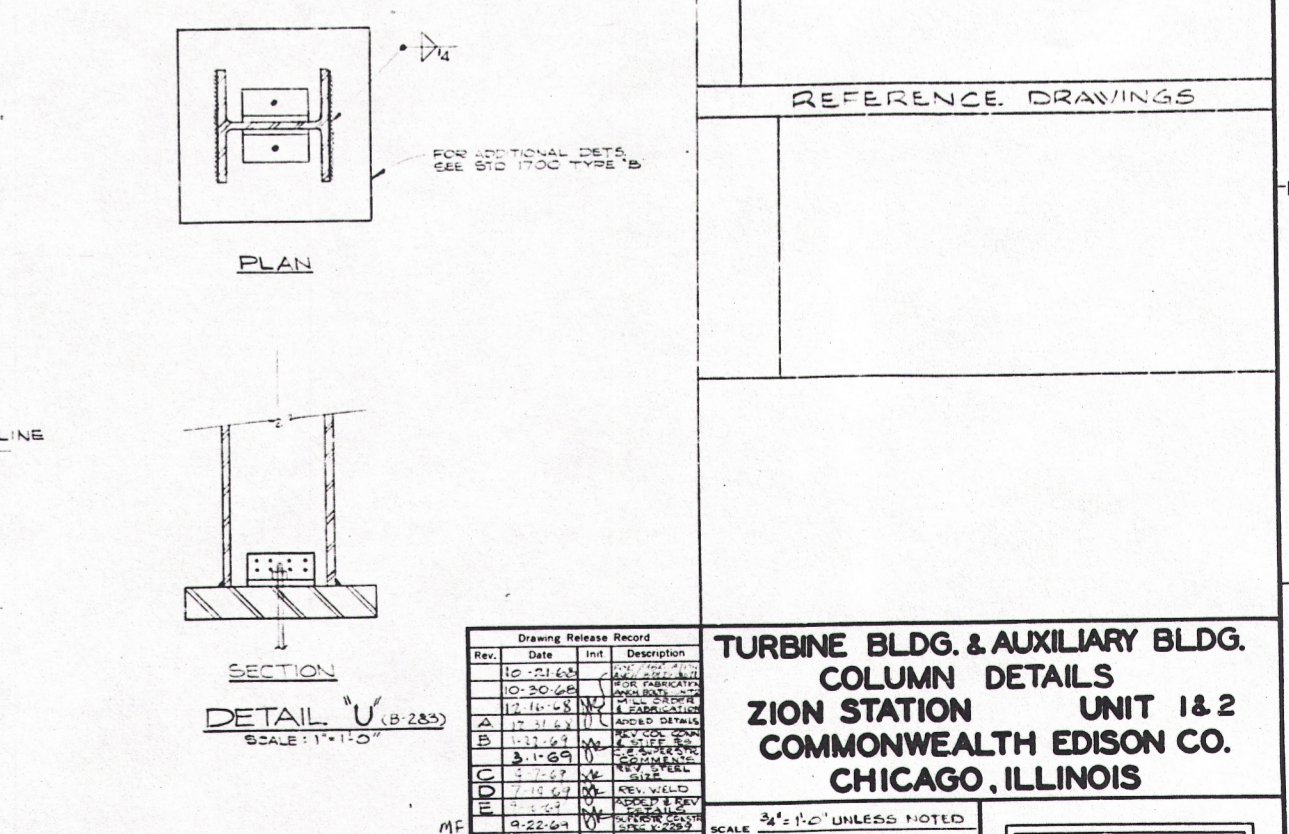
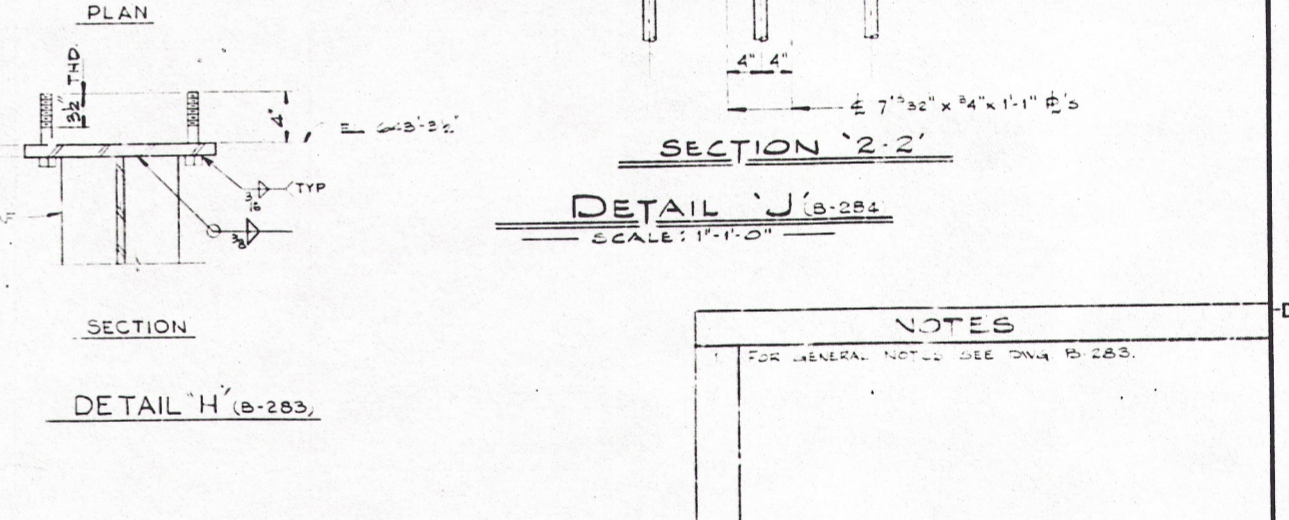
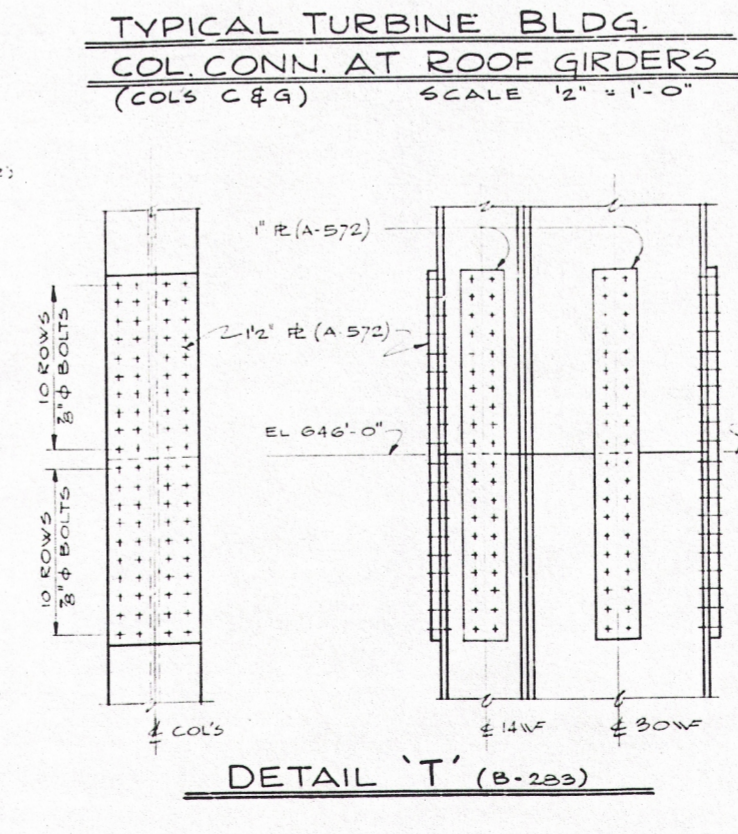
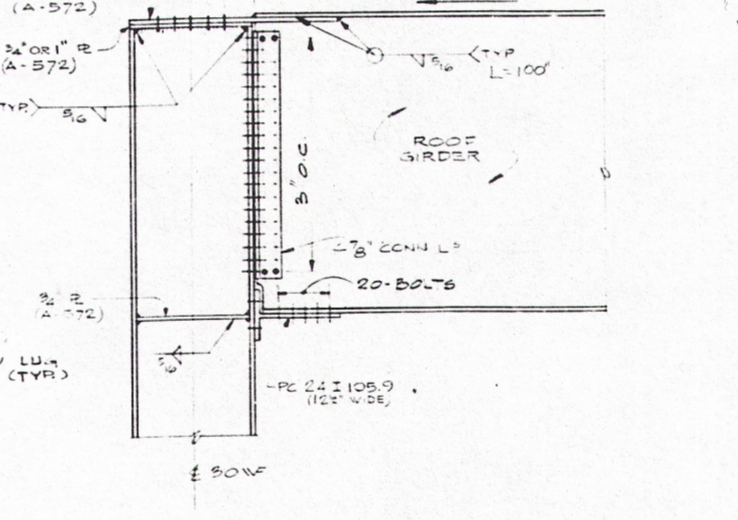
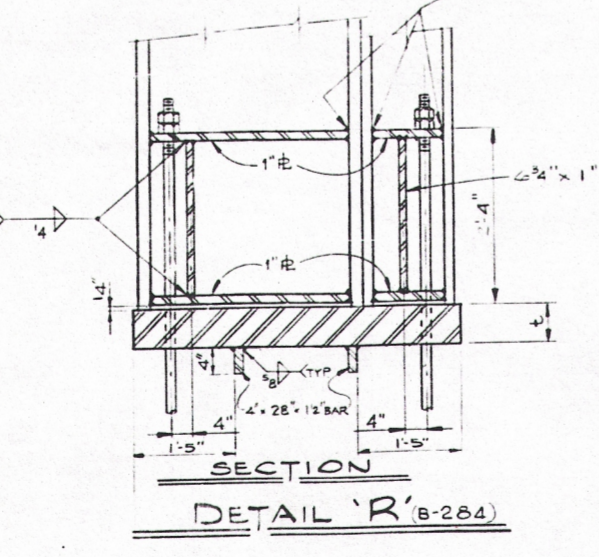
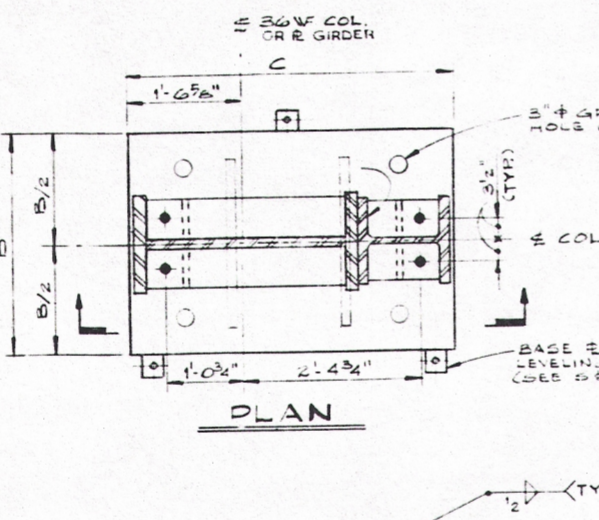
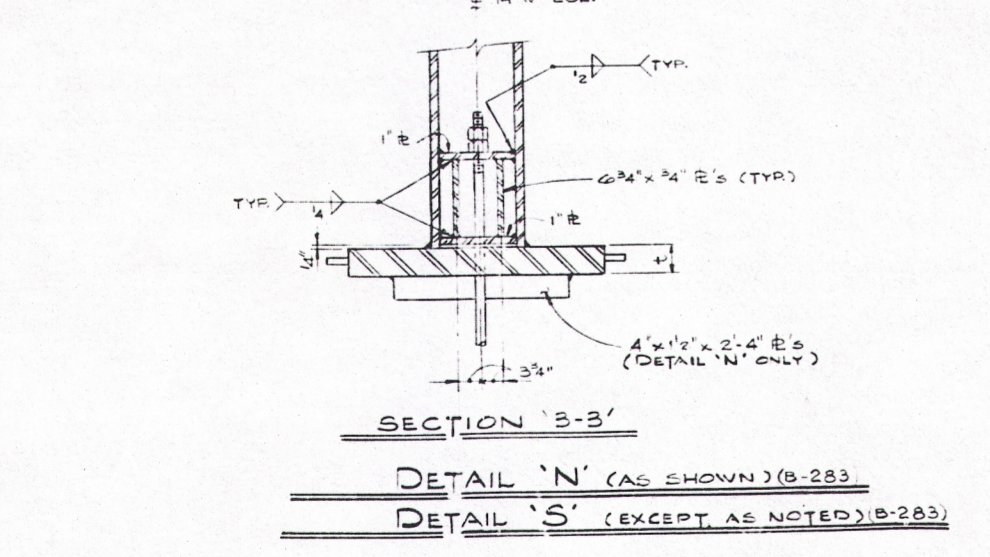
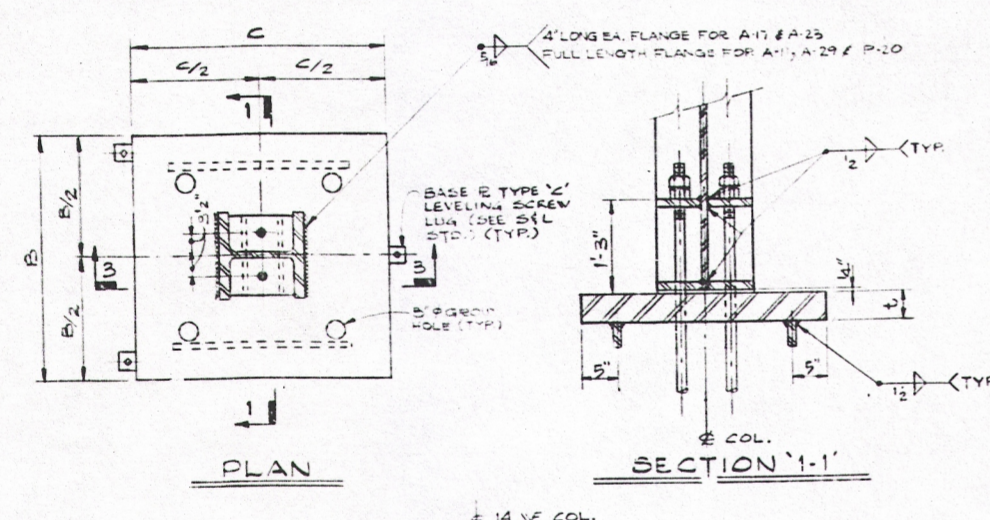
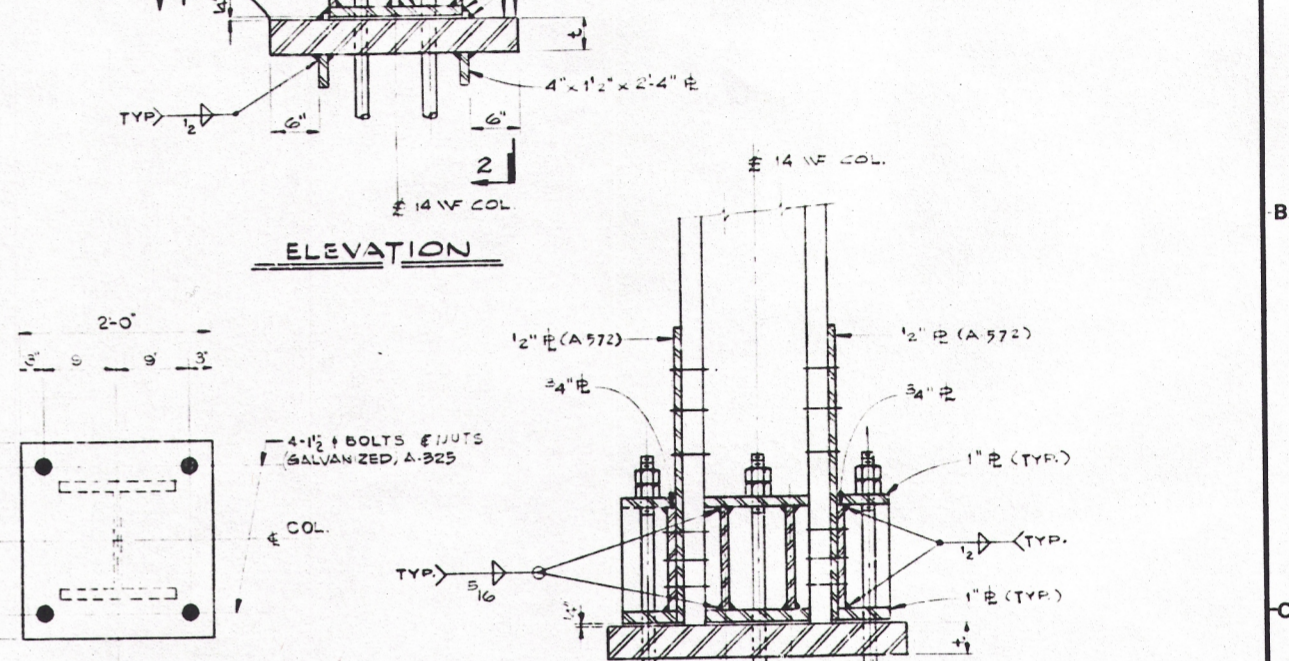
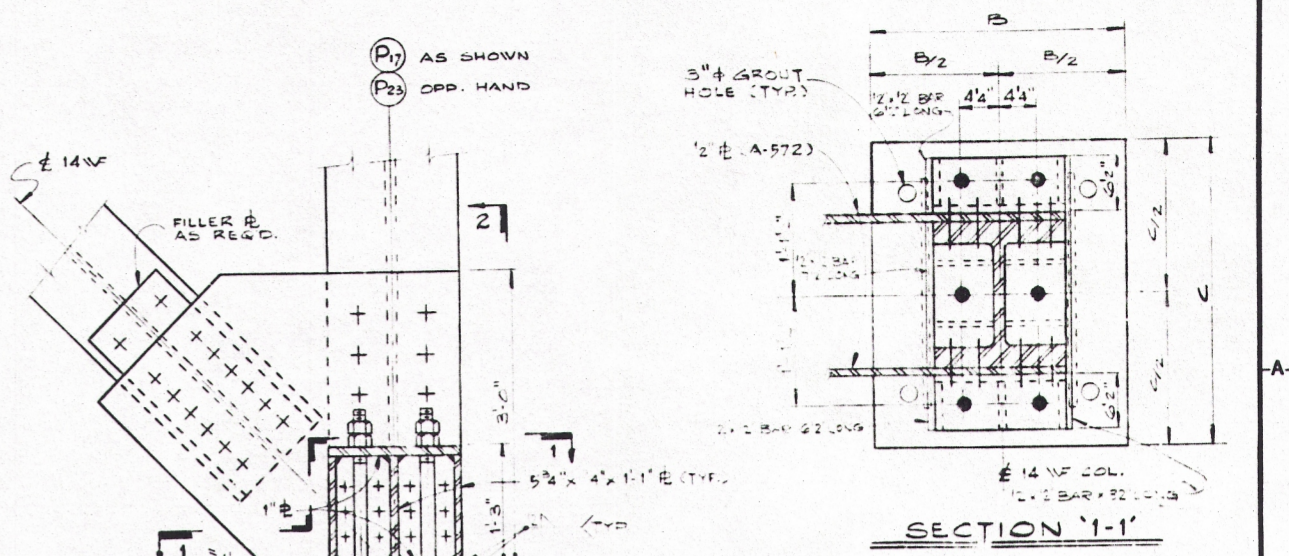
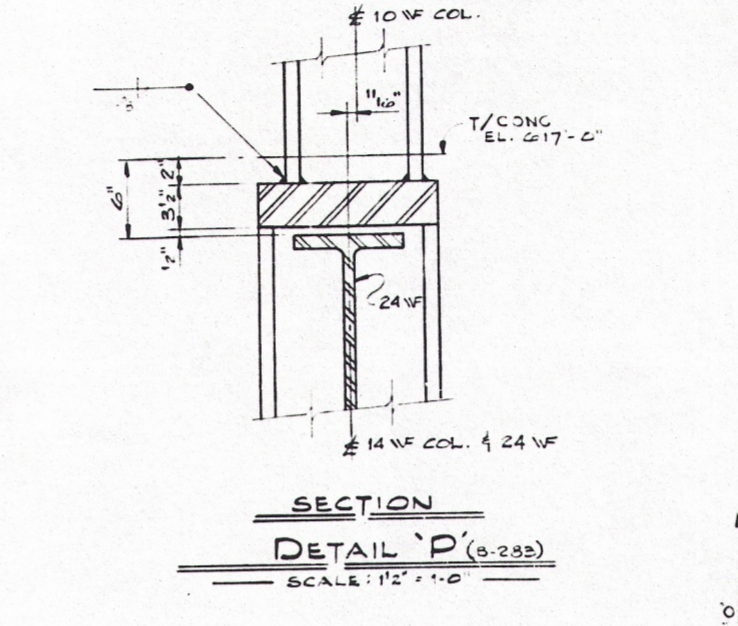
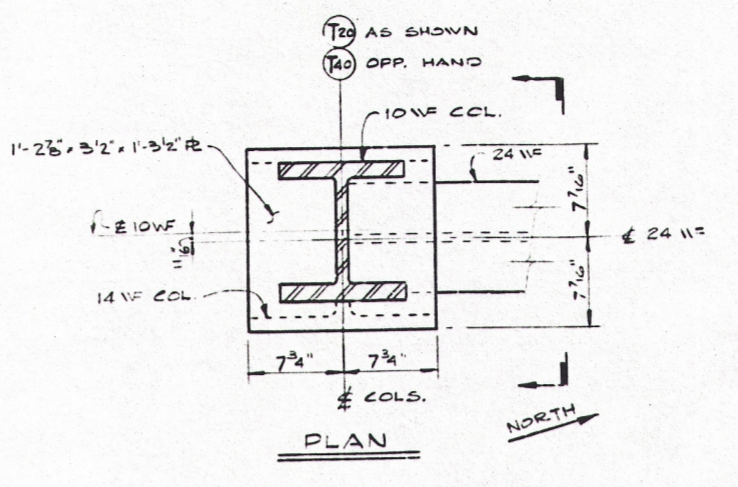
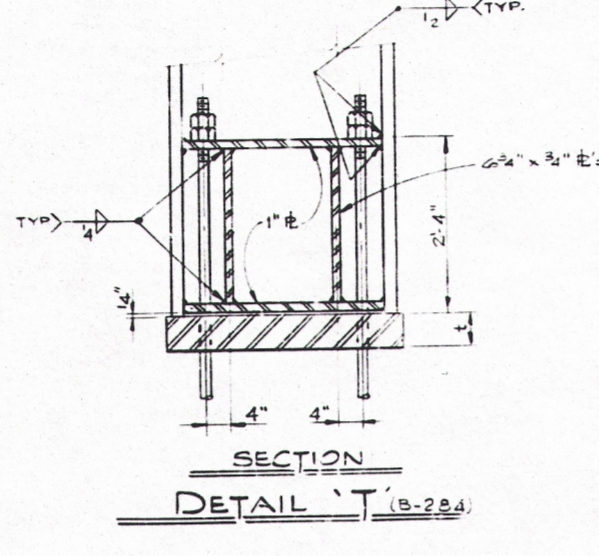
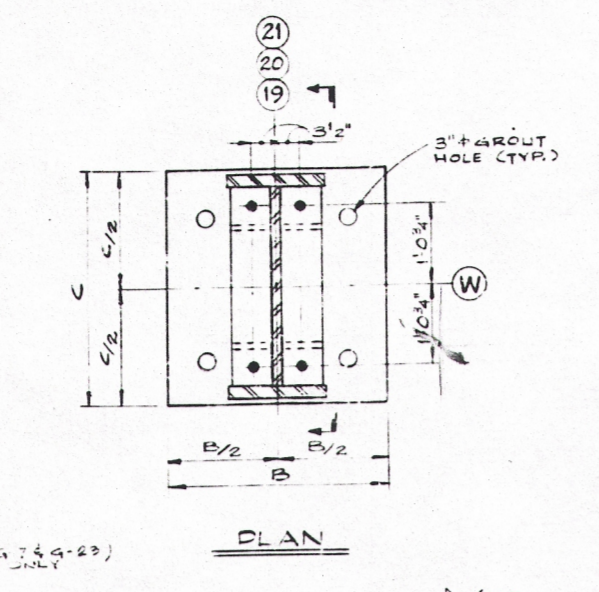
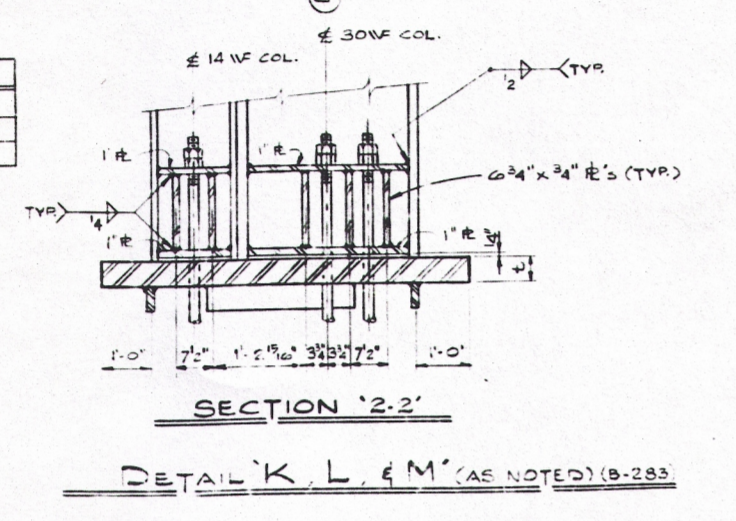


B-287



LET	DIM. X
K	1'-4"
L	1'-7"
M	1'-8"



NOTES  
FOR GENERAL NOTES SEE DRAWING B-285.

REFERENCE DRAWINGS

REV.	DATE	DESCRIPTION
10-20-68		
11-16-68		
11-16-68		
11-16-68		
11-16-68		
11-16-68		
11-16-68		
11-16-68		
11-16-68		
11-16-68		

TURBINE BLDG. & AUXILIARY BLDG.  
COLUMN DETAILS  
ZION STATION UNIT 1 & 2  
COMMONWEALTH EDISON CO.  
CHICAGO, ILLINOIS

SCALE: 3/4\"/>

DRAWN: J. SPADLEY  
CHECKED: J. M. KANE  
ENGINEER: J. P. WILSON  
APPROVED: J. P. WILSON

SARGENT & LUNDY  
ENGINEERS  
CHICAGO

DRAWING NO.  
B-287

D20