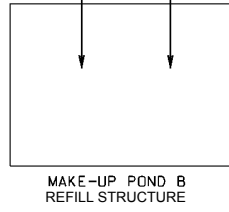
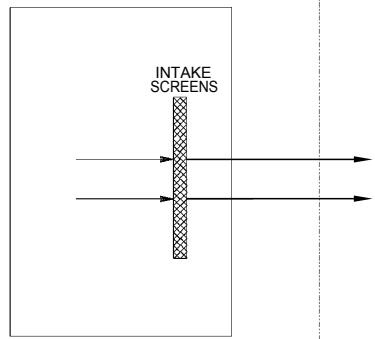


RWS REFILL SUBSYSTEM (FIG. 9.2-206)

RWS REFILL SUBSYSTEM (FIG. 9.2-206)

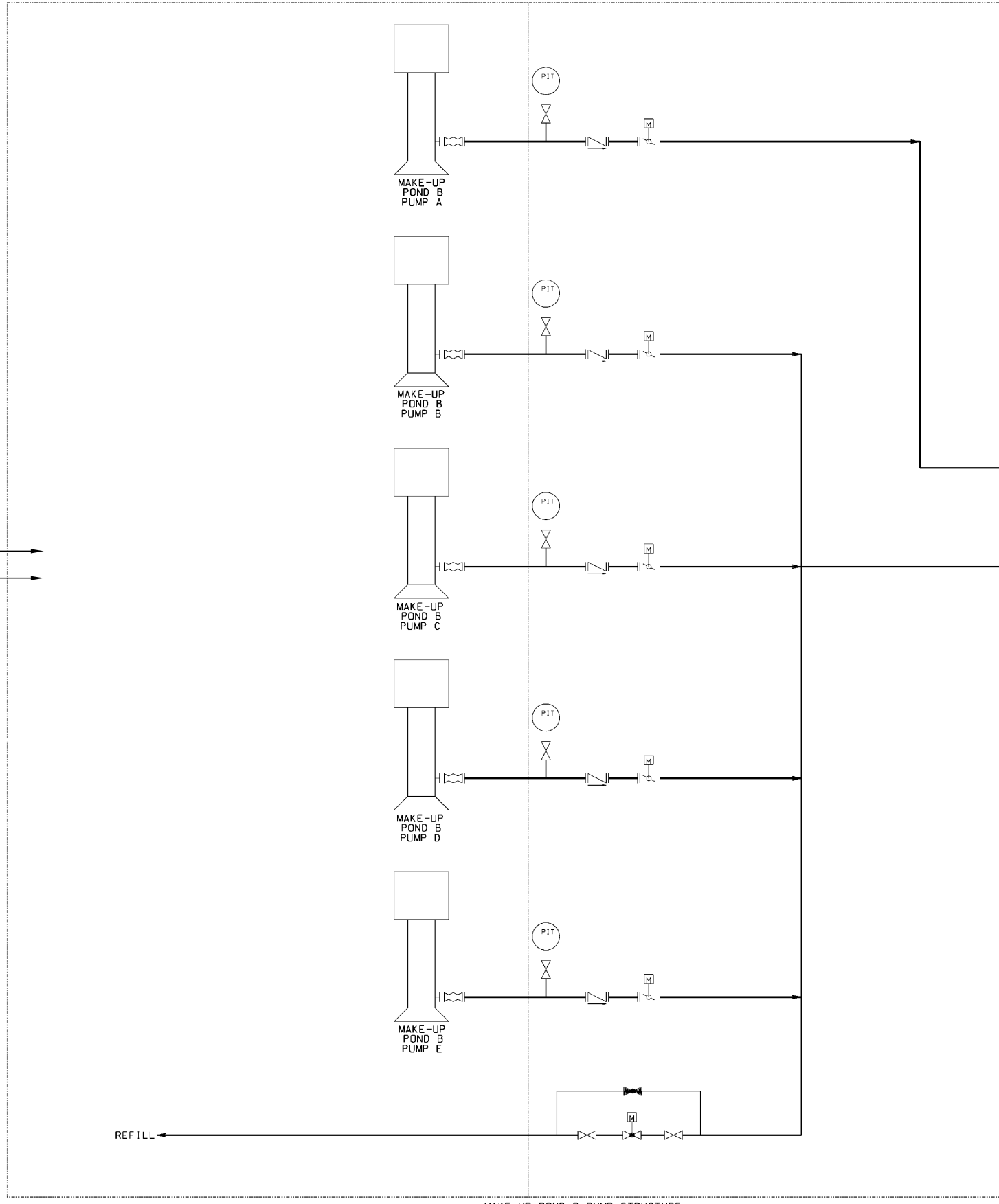


MAKE-UP POND B REFILL STRUCTURE



MAKE-UP POND B INTAKE STRUCTURE

WLS SUP 9.2-5



MAKE-UP POND B PUMP STRUCTURE

NOTES:
1. ALL MOTOR OPERATED VALVES SHALL HAVE MANUAL OPERATION HANDWHEELS.

RWS MAKE-UP POND C SUBSYSTEM (FIG. 9.2-207)

RWS RIVER WATER SUBSYSTEM (FIG. 9.2-201)

RWS RAW WATER SUPPLY SUBSYSTEM (FIG. 9.2-202)

WILLIAM STATES LEE III
NUCLEAR STATION UNITS 1 & 2

Raw Water System,
Make-Up Pond B Subsystem

FIGURE 9.2-203 Rev 5