



Entergy Operations, Inc.
1448 S.R. 333
Russellville, AR 72802
Tel 479-858-4704

Stephanie L. Pyle
Manager, Licensing
Arkansas Nuclear One

2CAN091201

September 4, 2012

U.S. Nuclear Regulatory Commission
Attn: Document Control Desk
Washington, DC 20555

SUBJECT: Response to the Request for Additional Information Regarding
Request for Relief ANO2-ISI-008
Arkansas Nuclear One, Unit 2
Docket No. 50-368
License No. NPF-6

REFERENCES: 1. Entergy letter to NRC, "Requests for Relief from American Society of Mechanical Engineers (ASME) Section XI Volumetric and Surface Examination Requirements – Third 10-Year Interval," dated March 26, 2012 (2CAN031203) (ML12086A293)

2. NRC email to Entergy, "RAI on Request for Relief No. ANO2-ISI-008," dated July 18, 2012

Dear Sir or Madam:

Entergy Operations, Inc. requested NRC's approval of several Requests for Relief for Arkansas Nuclear One, Unit 2 via Reference 1. These requests are associated with the requirements of the ASME Boiler and Pressure Vessel Code, Section XI pertaining to volumetric and surface examinations. In several locations, the required coverage cannot be obtained due to interference or geometry.

In Reference 2, the NRC determined that additional information was needed to complete the review of Request for Relief ANO2-ISI-008 provided in Reference 1. Attached are the requests for additional information and corresponding responses.

This submittal contains no regulatory commitments.

Should you have any questions, please contact me.

Sincerely,

Original Signed by Stephenie L. Pyle

SLP/rwc

Attachment: Request for Additional Information Request for Relief ANO2-ISI-008

cc: Mr. Elmo E. Collins
Regional Administrator
U. S. Nuclear Regulatory Commission, Region IV
1600 East Lamar Boulevard
Arlington, TX 76011-4511

NRC Senior Resident Inspector
Arkansas Nuclear One
P. O. Box 310
London, AR 72847

U. S. Nuclear Regulatory Commission
Attn: Mr. Kaly Kalyanam
MS O-8 B1
One White Flint North
11555 Rockville Pike
Rockville, MD 20852

Attachment to

2CAN091201

**Response to
Request for Additional Information
Request for Relief ANO2-ISI-008**

REQUEST FOR ADDITIONAL INFORMATION
REQUEST FOR RELIEF ANO2-ISI-008

1. **For the Nozzle-to-Extension Pipe Welds contained in Table 1 of the licensee's submittal dated March 26, 2012, provide the material type of the nozzles and pipe extensions.**

The material type is SA 508 cl 3A that is clad on the inside diameter with stainless steel.

2. **For the Nozzle-to-Extension Pipe Welds contained in Table 1 for Components ID# 03-005, 03-006, and 03-007, the basis for the limitations for examination were omitted in both Table 1 and associated Figures 5, 6, and 7. Provide the descriptions of the limitations that prevented the scanning of 100 percent of the volume of the welds for the subject components.**

The limitation is due to the configuration on the nozzle side of the component. These examinations were performed in 2003. During that time, the vessel weld ultrasonic examination procedure did not specifically require scanning down a nozzle taper in a best effort attempt to enhance coverage; therefore, scanning was only credited from a single side, e.g., 50%.

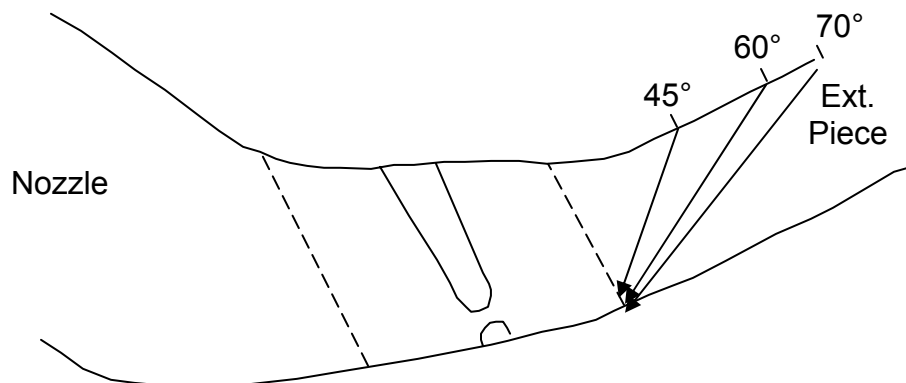
The Figures 5, 6 and 7 contained in the Request for Relief ANO2-ISI-008 are typical of the examination scans performed in the 2006 inspection and depict scans down the nozzle taper. Those scans down the nozzle taper were not performed in 2003 on components 03-005, 03-006 and 03-007.

During the development of the response to this request it was determined that Request for Relief ANO2-ISI-008 Figures 5, 6, and 7 were incorrect. They were actually a copy of earlier figures in the same request. The correct figures are shown below and are typical of the examination scans performed in the 2003 time frame.

Revised Figure 5

Scan Plan and Coverage for ISI Component 03-005

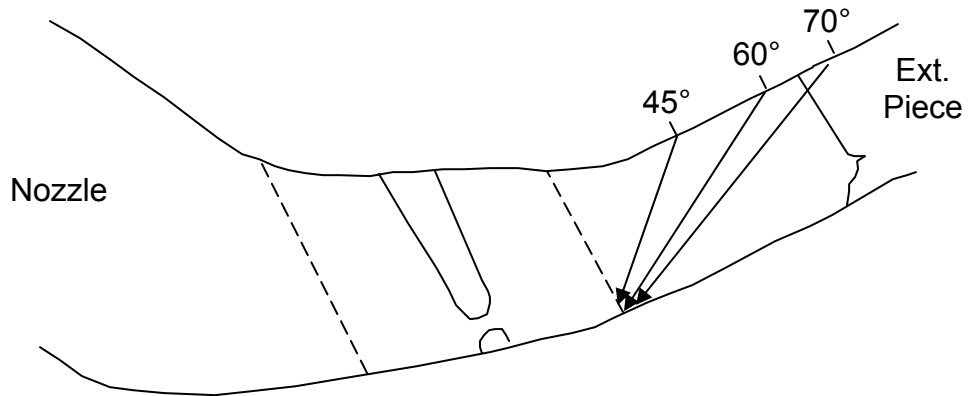
Not to Scale



Revised Figure 6

Scan Plan and Coverage for ISI Component 03-006

Not to Scale



Revised Figure 7

Scan Plan and Coverage for ISI Component 03-007

Not to Scale

