

Public Version



# Shielding Evaluation – 8/23/11 Seismic Event

Philippe Pham

July, 2012

Transnuclear Inc.



# Shielding Analysis Overview



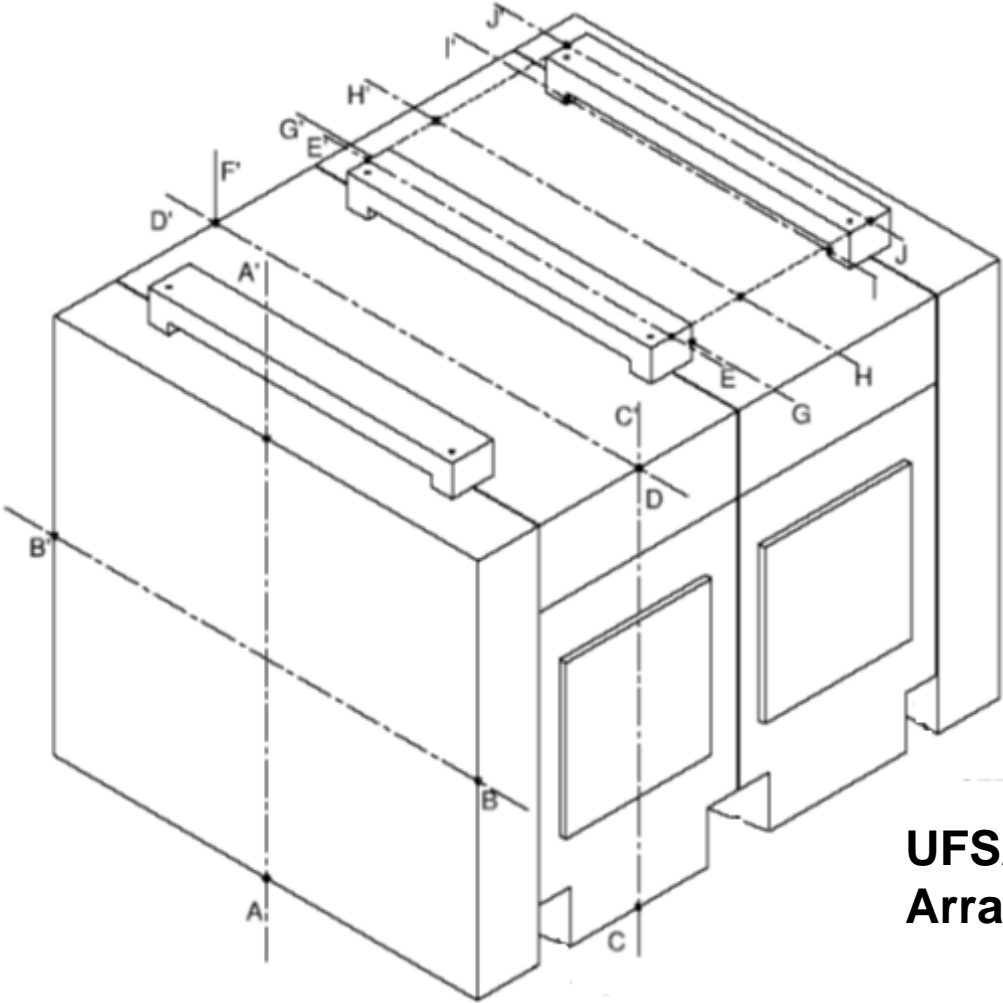
- ▶ **Shielding Analysis Methodology**
- ▶ **Shielding Evaluation for 08/23/11 Seismic Event**
- ▶ **Preliminary Results of Shielding Evaluations**

# Shielding Analysis Methodology



- ▶ **Shielding Analysis is based on a fully loaded Design Basis Source 32PTH DSC within the HSM-H**
- ▶ **MCNP Code – MCNP4C2 is employed to determine the HSM-H dose rates**
- ▶ **The storage configuration/results based on existing UFSAR model:**
  - ◆ **32PTH DSC within the HSM-H**
  - ◆ **Side shield wall on one side of the HSM-H**
  - ◆ **Reflective boundary on the other side of the HSM-H**
  - ◆ **Back shield wall**
  - ◆ **All dose rates are calculated for a single HSM-H**
- ▶ **Results from single HSM-H calculations are also employed to determine the HSM array dose rates**

# Shielding Analysis Methodology



**UFSAR model: 2x1  
Array of HSM-H**





Proprietary information withheld pursuant to 10 CFR 2.390



Proprietary information withheld pursuant to 10 CFR 2.390



Proprietary information withheld pursuant to 10 CFR 2.390



Proprietary information withheld pursuant to 10 CFR 2.390





Proprietary information withheld pursuant to 10 CFR 2.390



Proprietary information withheld pursuant to 10 CFR 2.390