



GE Nuclear Energy

R1162
**GERIS 2000 Examination
Summary Sheet**

Project: TVA, Browns Ferry Nuclear Plant, Unit 3

System: Reactor Pressure Vessel

Weld ID: V-2-C

ASME Code Category: B-A

Calibration Sheets: C-003

Supporting Data: Examination Data Sheets E-07-00 thru E-07-02, Indication Data Sheet 07-001, Indication Evaluation Sheets, Screen Prints, Exam Patch Location Map, Exam Coverage Plots and GERIS 2000 Setup Records.

Examination Summary

The ultrasonic examination of weld V-2-C resulted in no recorded indications that exceed the allowable standards of IWB-3500, ASME Section XI, 1986 Edition, No Addenda.

The ASME Section XI required examination volume was examined with the GERIS 2000 System from the RPV inside surface utilizing Procedure No. GE-UT-700, Rev. 2. This examination was limited due to the Jet Pump brackets at 270° and 300°. The total examination coverage was calculated to be 91%.

The GERIS 2000 utilizes an array of search units arranged to effectively examine the weld and adjacent base material parallel and perpendicular to the weld axis in two directions. The transducer package consisted of 0° longitudinal, 45° and 60° shear wave, and 70° refracted longitudinal (RL) wave search units.

The GERIS 2000 recorded one (1) indication with the 45° shear wave scans that was evaluated and found to be acceptable per the referencing Code section.

No manual supplemental examination was performed from the RPV outside surface due to access restrictions.

Fabrication records and previous examination results were reviewed prior to the completion of this examination summary.

GERIS Analyst: *Cliff Ma*

GE Reviewer: *Ceresa Kimball*

LEVEL: *III* DATE: *12/15/93*

LEVEL: *III* DATE: *12-15-93*

UTILITY Review: *J. M. ...*

ANII Review:

TITLE: *JH* DATE: *1/26/94*

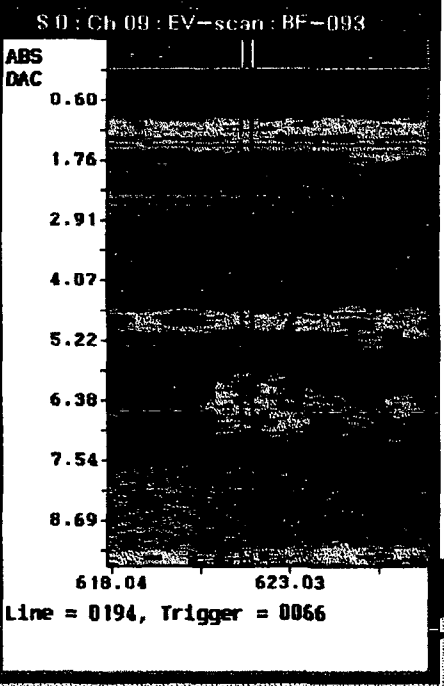
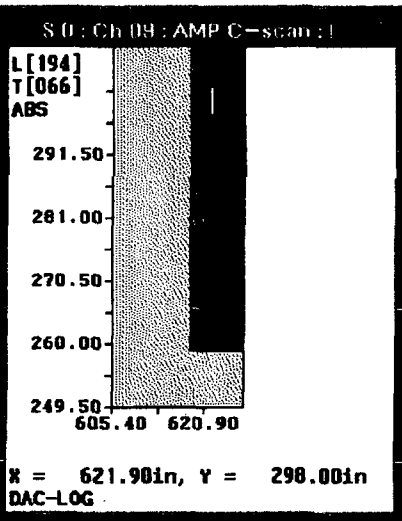
TITLE: *Abbat Ladd* DATE: *7/12/94*

S 0 : Scale

32.3
36.6
41.0
45.3
49.7
54.0
58.4
62.7
67.1
71.4
75.8
80.1
84.5
88.8
93.2

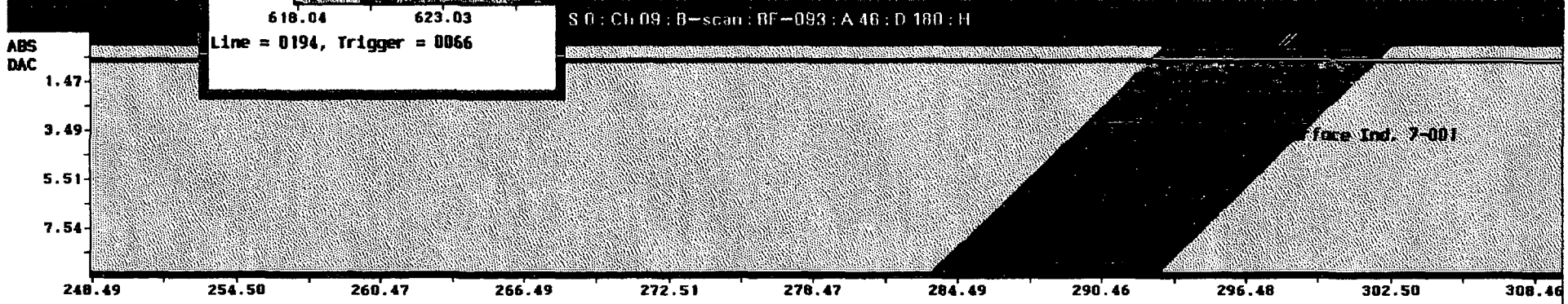
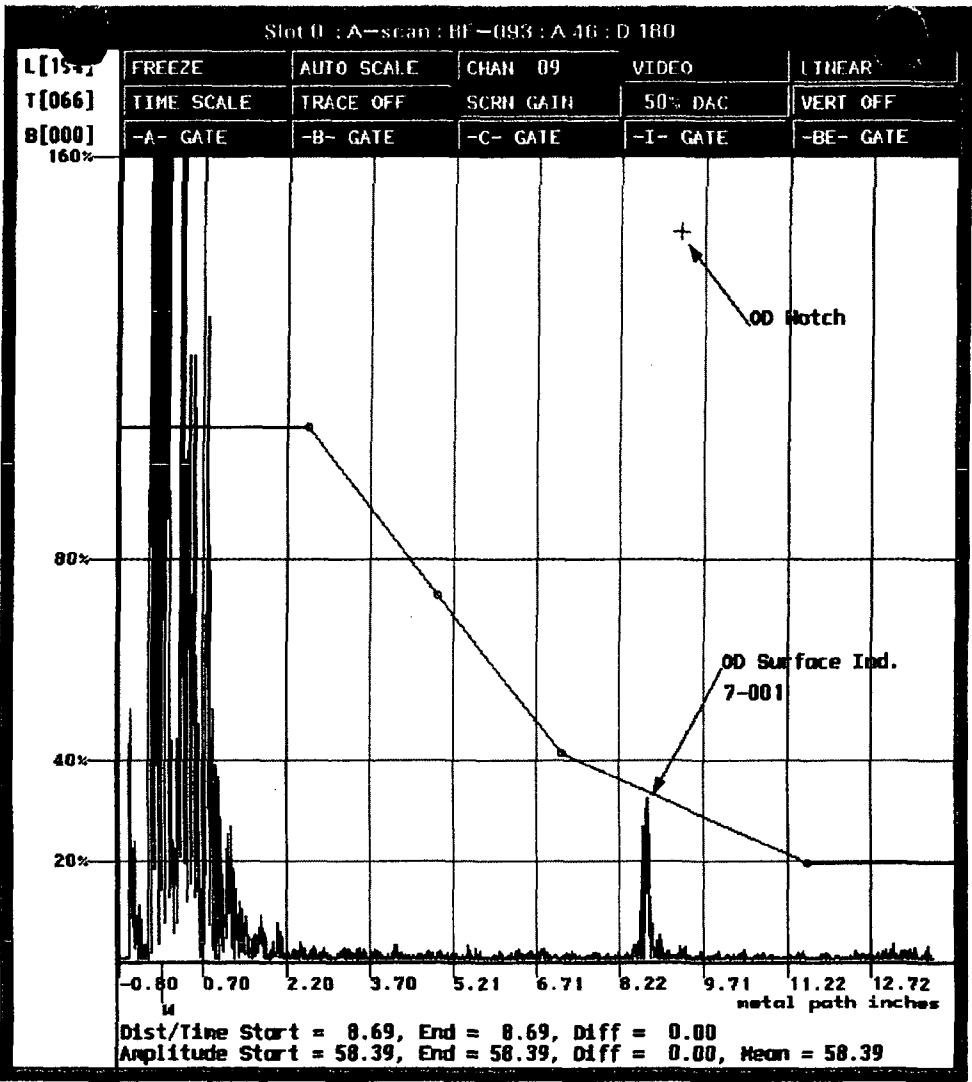
100%
50%
20%

DAC



long Tel
extor1/7-001

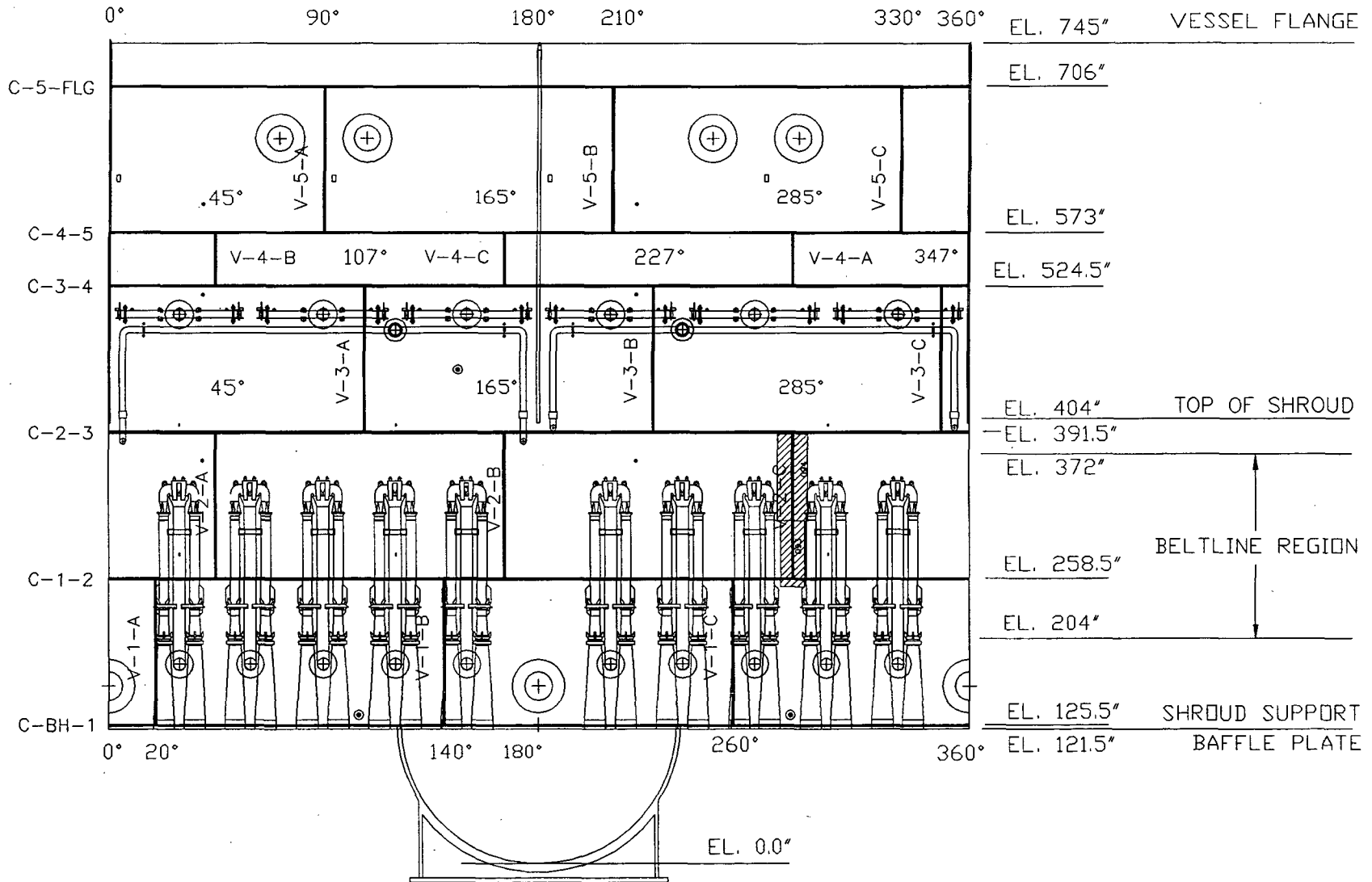
00065



Line = 0194, Trigger = 0066
X = 621.90in, Y = 291.67in Z = 6.02in

7 OF 10
R1162

BROWNS FERRY UNIT-3 WELD LOCATIONS

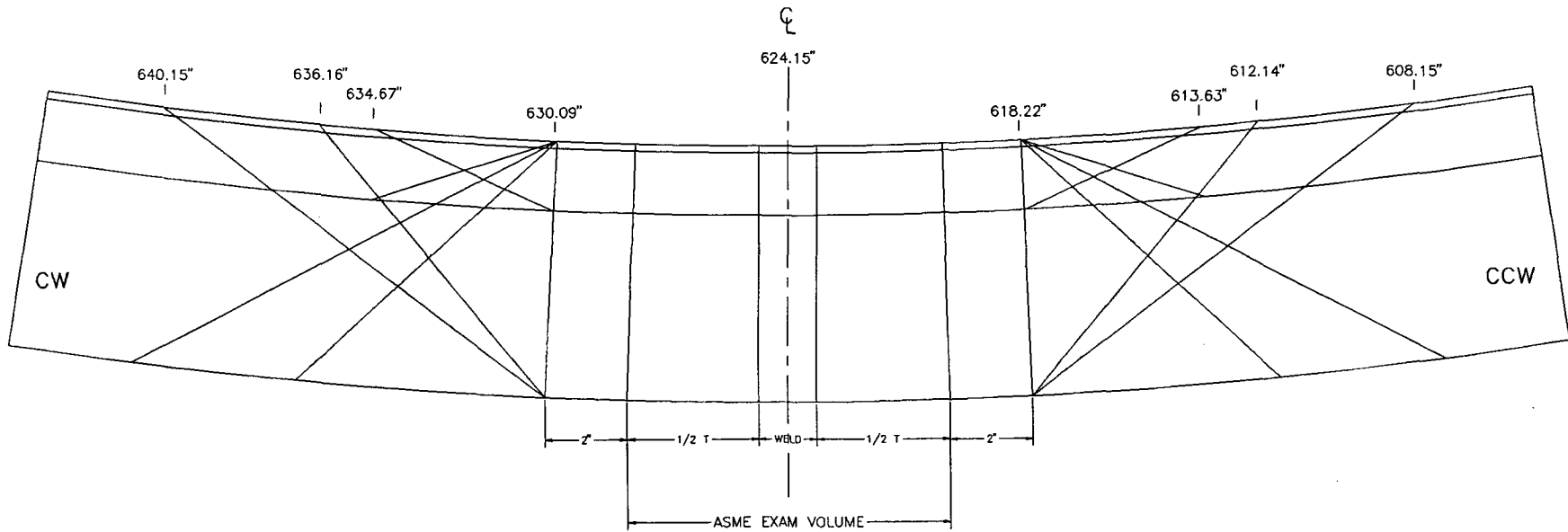


99000 #

MAG 0000 0000

R1162
8 OF 10

GE NUCLEAR ENERGY	BROWNS FERRY UNIT 3	VESSEL ROLLOUT & AS SCANNED PATCH LOCATIONS	BF-3-VMA	REV 0
-------------------	---------------------	---	----------	-------

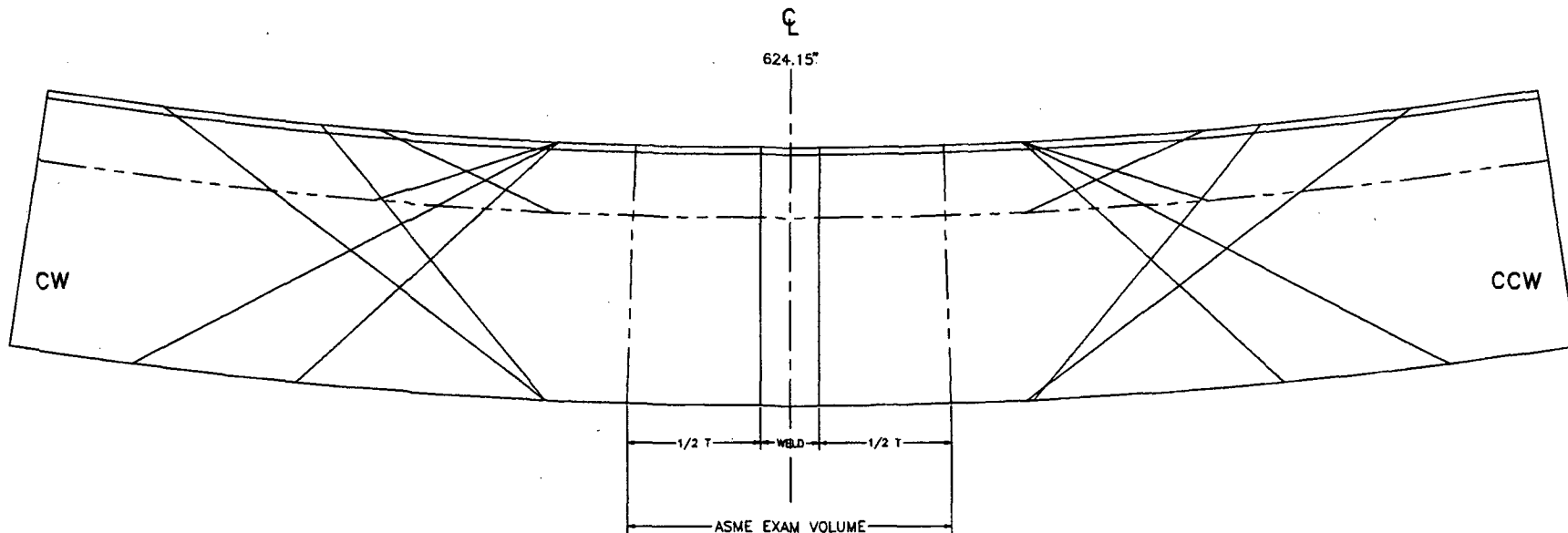


Nominal Clad T = 3/16"
 Nominal Base Metal T = 6 3/8"
 1 Degree = 2.19°

CH.	ANGLE	DIR.	MIN X	MAX X
1	0 W	0	618.22	630.09
2	0 W	90	618.22	630.09
3	70 UP	0	618.22	630.09
4	70 CW	90	613.63	630.09
5	70 DN	180	618.22	630.09
6	70 CCW	270	618.22	634.67
7	45 UP	0	618.22	630.09
8	45 CW	90	612.14	630.09
9	45 DN	180	618.22	630.09
10	45 CCW	270	618.22	636.16
11	60 UP	0	618.22	630.09
12	60 CW	90	608.15	630.09
13	60 DN	180	618.22	630.09
14	60 CCW	270	618.22	640.15
15	0 BM	0	618.22	640.15
16	0 BM	90	608.15	630.09

00067

9 OF 10
 R1162



Nominal Clad T = 3/16"
 Nominal Base Metal T = 6 3/8"
 1 Degree = 2.19"

P-scans limited due to Jet Pump Brackets.
 Reference Scanner Data Setup BF-093

00068

00000 00000

K1162
10 of 10

GE NUCLEAR ENERGY	BROWNS FERRY UNIT 3	JET PP AUTOMATED SCAN LIMIT	SCALE: NONE	DWG. N2ABCJET	REV. 0
-------------------	---------------------	-----------------------------	-------------	---------------	--------