

Comanche Peak Nuclear Power Plant, Units 3 & 4
 COL Application
 Part 3 - Environmental Report

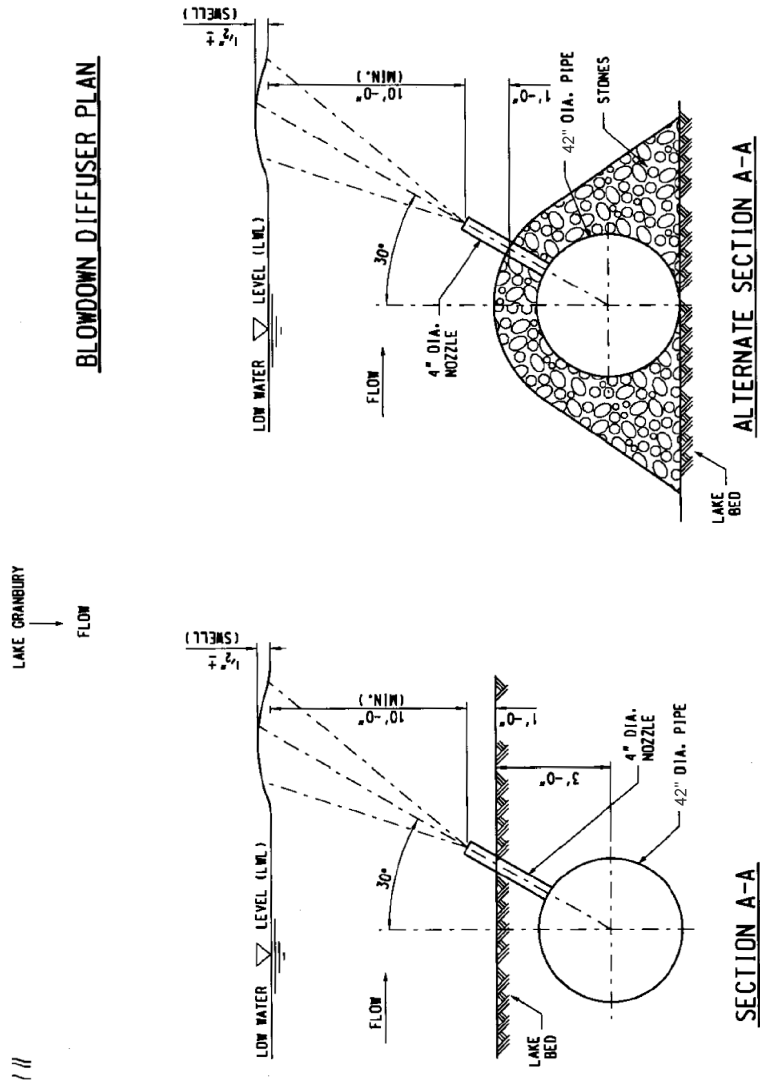


Figure 9.4-4 Proposed Multi-Port Diffuser Discharge System