

Figure 18C-5 Arrangement of Equipment on Main Control Console

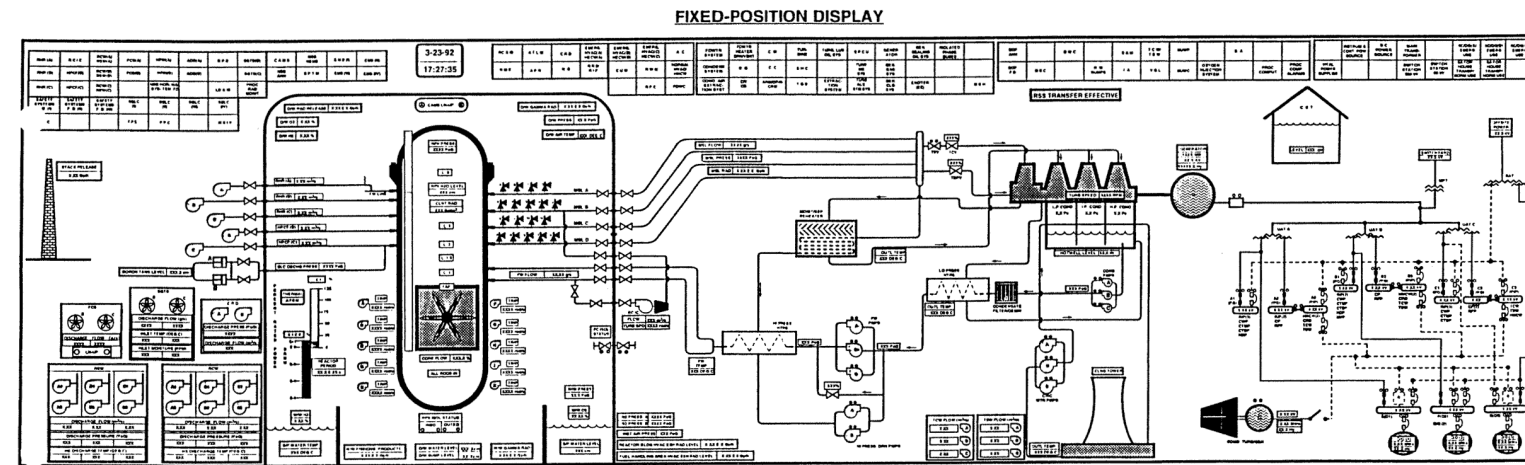


Figure 18C-7 Fixed-Position Display